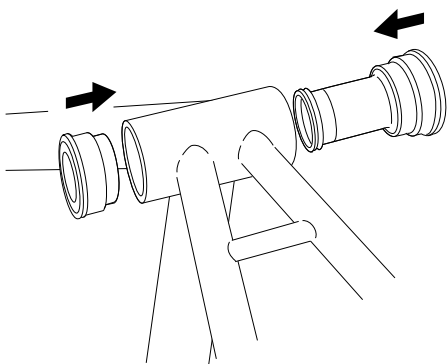
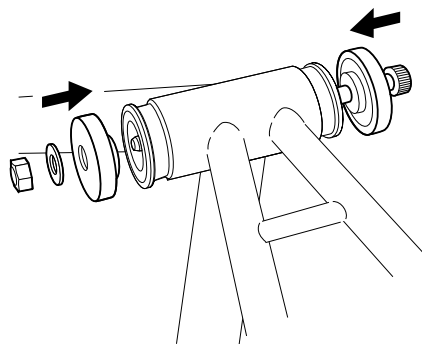


TL-BB12

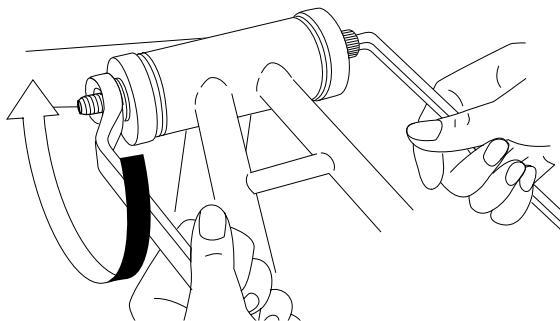
Press-fit BB installation tool



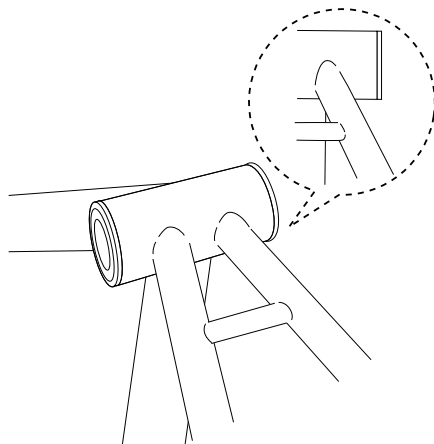
1. Insert the bottom bracket (BB) into the hanger.



2. Insert the installation tool into the BB.



3. Press fit the BB by tightening with a wrench while making sure that the rim of the BB stays parallel to the rim of the hanger.



4. Check to confirm that there is no gap between the BB and the hanger.

SHIMANO

SHIMANO AMERICAN CORPORATION
One Holland, Irvine, California 92618, U.S.A. Phone: +1-949-951-5003

SHIMANO EUROPE B.V.
Industrieweg 24, 8071 CT Nunspeet, The Netherlands Phone: +31-341-272222

SHIMANO INC.
3-77 Oimatsu-cho, Sakai-ku, Sakai-shi, Osaka 590-8577, Japan

Please note: specifications are subject to change for improvement without notice. (English)
© June 2008 by Shimano Inc. XBC SZK Printed in Japan.