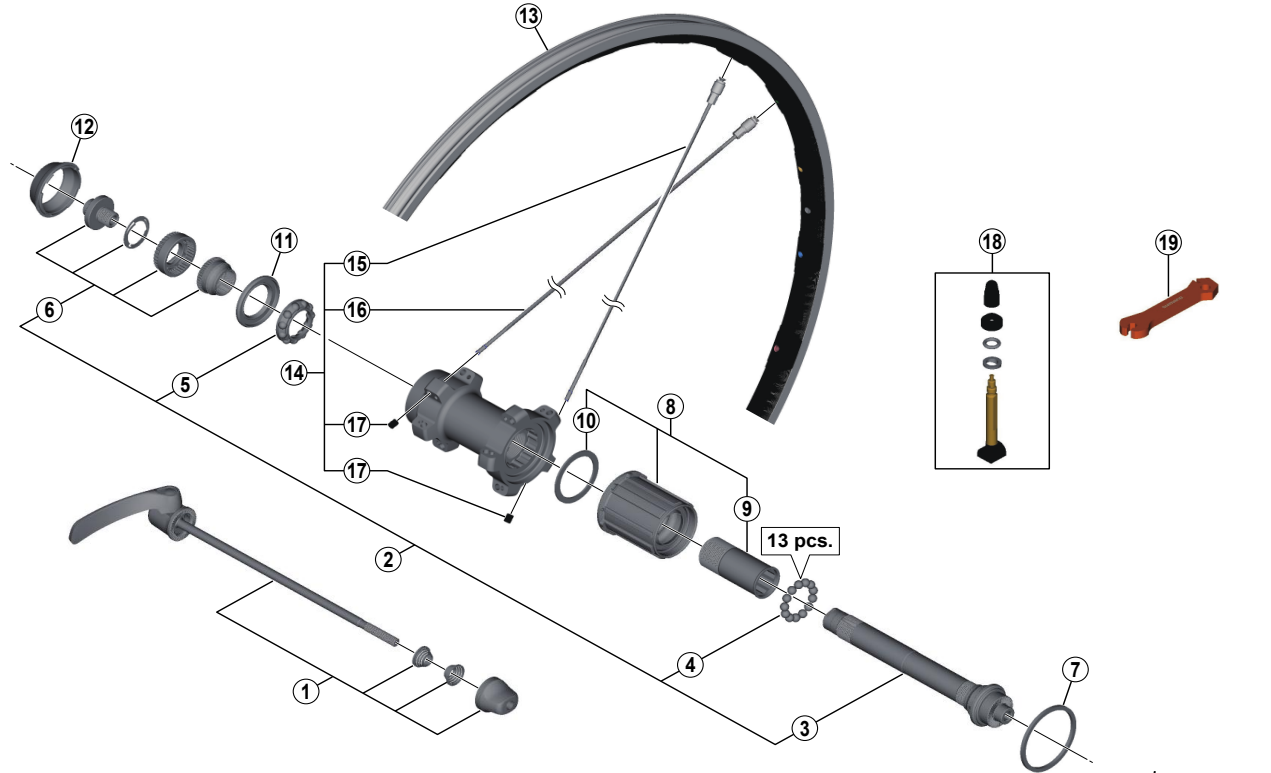


# Rear Wheel

## WH-RS81-C24-TL-R 10/11-Speed



• Over Lock Nut Dimension: 130 mm (5-1/8")

ITEM NO.	SHIMANO CODE NO.	DESCRIPTION	INTERCHANGEABILITY		
			WH-RS81-C24-CL	WH-8600	WH-RS81-C35-TL
1	Y49R98010	Complete Quick Release 163 mm (6-13/32")	A	B	A
	Y49R98020	Complete Quick Release 168 mm (6-5/8")	A	B	A
2	Y49398030	Complete Hub Axle	A	A	A
3	Y49398040	Hub Axle Unit	A	A	A
4	Y00091210	Steel Ball (3/16") 20 pcs.	A	A	A
5	Y26J98030	Ball Retainer (3/16")	A	A	A
6	Y49398050	Left Hand Lock Bolt Unit	A	A	A
7	Y4T724000	Low Spacer (1.85 mm)	A	A	A
8	Y49398060	Complete Freewheel Body	A	A	A
9	Y3CZ18000	Body Fixing Bolt	A	A	A
10	Y3CZ12000	Freewheel Body Washer	A	A	A
11	Y28M07000	Seal Ring	A	A	A
12	Y3E212000	Left Hand Dust Cover	A	A	A
13	EWHRIM2F4D	Rim {20H}			
14	EWHSPOKE3EB1	Spoke Unit {Spoke (303 mm x 10 pcs. & 305 mm x 10 pcs.) / Spoke Plug (20 pcs.) / Washer (20 pcs.) / Hub Nut (20 pcs.)}		B	
15	Y4T398010	Right Hand Spoke (303 mm) w/Plug & Washer		B	
16	Y4T398020	Left Hand Spoke (305 mm) w/Plug & Washer		B	
17	Y4G308000	Hub Nut	A	A	A
18	Y4DS98060	Valve Unit	A	A	B
19	Y4CK19000	Spoke Plug Wrench	A	A	A

A: Same parts.

B: Parts are usable, but differ in materials, appearance, finish, size, etc.

Absence of mark indicates non-interchangeability.

Aug.-2014-3708

© Shimano Inc. H

Specifications are subject to change without notice.

# SHIMANO