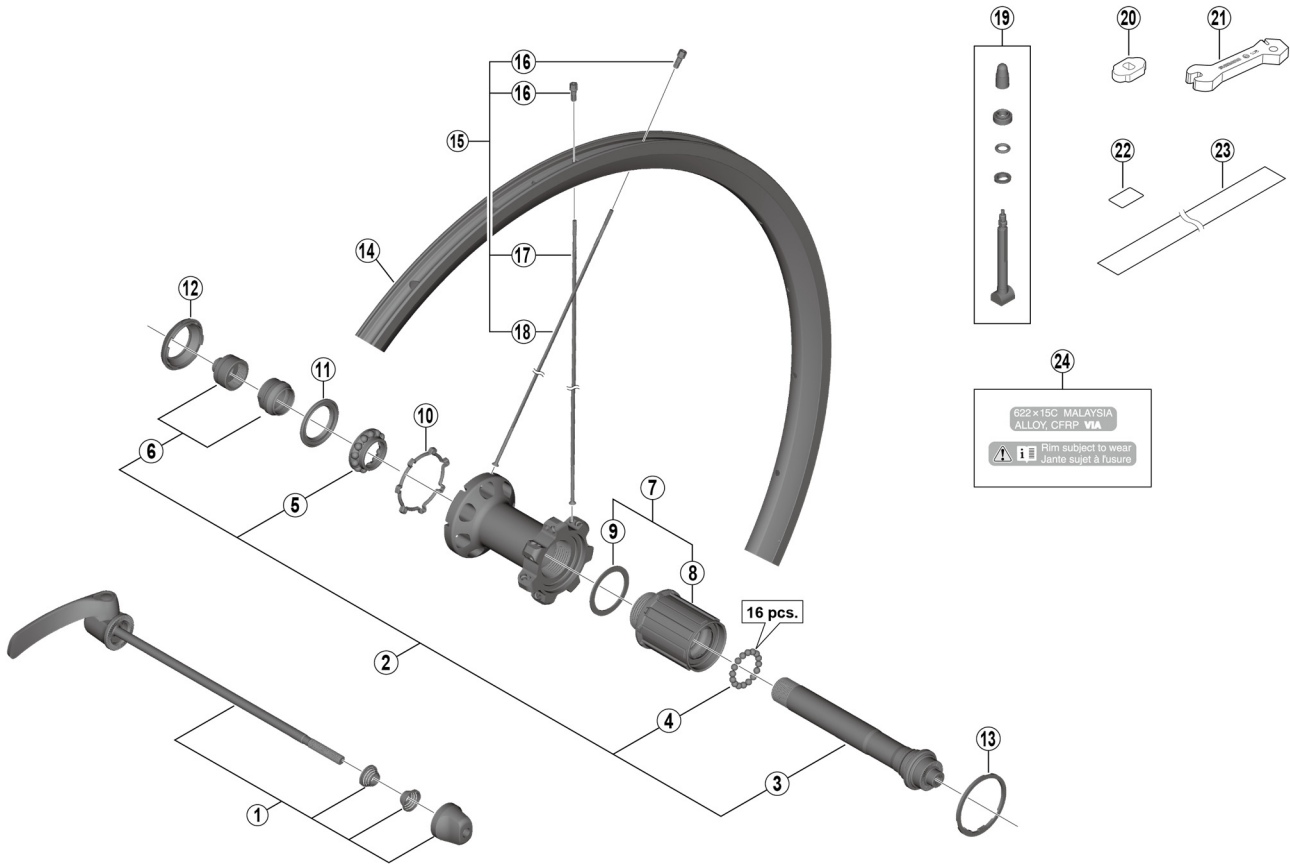


# Rear Wheel WH-RS700-C30-TL-R 10/11-speed



• Over Lock Nut Dimension: 130 mm (5-1/8")

ITEM NO.	SHIMANO CODE NO.	DESCRIPTION	INTERCHANGEABILITY	
1	Y0D298010	Complete Quick Release 163 mm (6-13/32")		
	Y0D298020	Complete Quick Release 168 mm (6-5/8")		
2	Y0D298030	Complete Hub Axle		
3	Y0D298040	Hub Axle Unit		
4	Y4BR98130	Steel Ball (5/32") 34 pcs.	A	
5	Y0AZ98030	Ball Retainer (3/16")	A	
6	Y0D298050	Left Hand Lock Nut & Cone		
7	Y3EX98030	Complete Freewheel Body	A	
8	Y3EX98040	Freewheel Body Unit	A	
9	Y3CZ12000	Freewheel Body Washer	A	
10	Y0D200060	Left Hand Spoke Cover		
11	Y27X14000	Left Hand Seal Ring	A	
12	Y0D200040	Left Hand Dust Cover		
13	Y4T724000	Low Spacer (1.85 mm)	A	
14	-	Rim {21H}		
15	-	Spoke Unit {Spoke (297 mm x 14 pcs. / 273 mm x 7 pcs.) / Nipple (21 pcs.)}		
16	Y4SYN1000	Nipple		
17	Y0D2S2000	Right Hand Spoke (297 mm)		
18	Y0D2S1000	Left Hand Spoke (273 mm)		
19	Y0D298060	Valve Unit		
20	Y4RJ10000	Valve Tool		
21	Y4SY11000	Nipple Wrench 3.75		
22	Y0AN98020	SUS Tape (24 pcs.)		
23	Y0D1000E0	Tubeless Tape		
24	Y0B198030	Rim Sticker Unit		

A: Same parts.

B: Parts are usable, but differ in materials, appearance, finish, size, etc.

Absence of mark indicates non-interchangeability.

Specifications are subject to change without notice.

FH-RS770

Nov.-2017-4237

© Shimano Inc. I

# SHIMANO