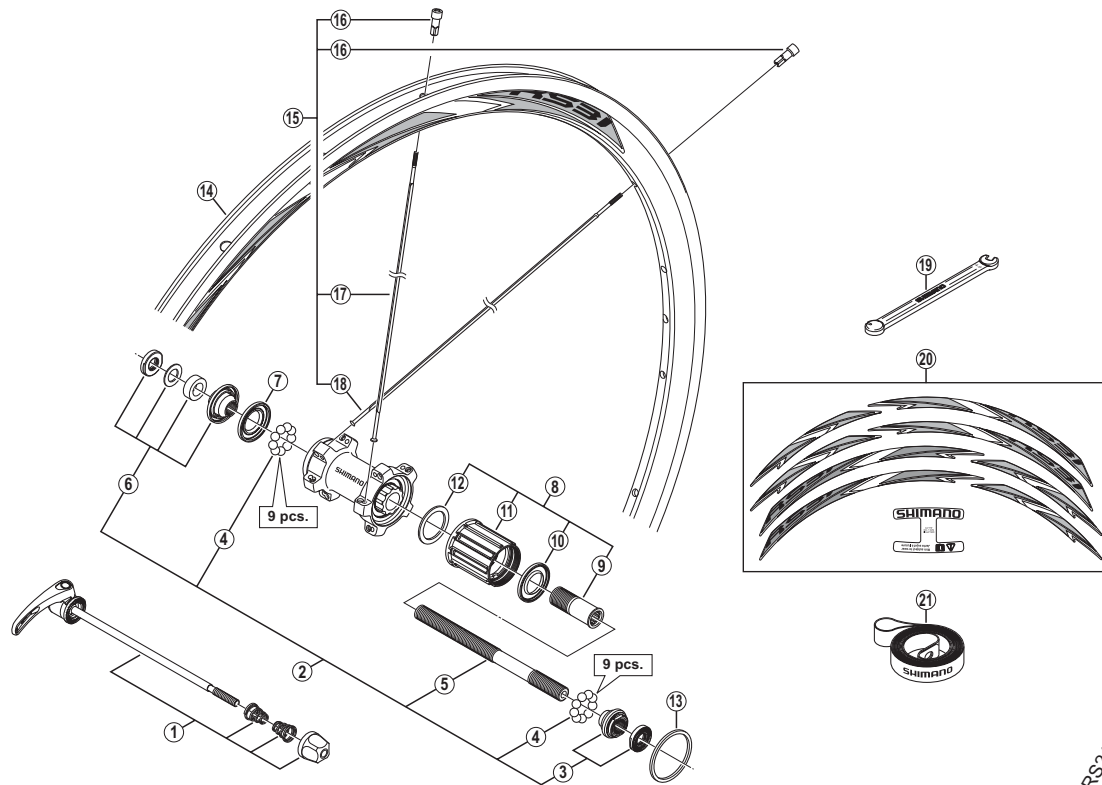


# Rear Wheel (10/11-Speed) WH-RS31-R Black / White



• Over Lock Nut Dimension: 130 mm (5-1/8")

WH-RS21  
WH-RS30-A  
WH-RS61

ITEM NO.	SHIMANO CODE NO.	DESCRIPTION	INTERCHANGEABILITY
1	Y4EJ98030	Complete Quick Release 163 mm (6-13/32")	A A A
	Y4GF98050	Complete Quick Release 168 mm (6-5/8")	A A A
2	Y49V98010	Complete Hub Axle 141 mm (5-9/16")	A B
3	Y49V98020	Right Hand Lock Nut Unit	A A
4	Y00091310	Steel Ball (1/4") 18 pcs.	A A A
5	Y30K01100	Hub Axle 141 mm (5-9/16")	A A A
6	Y49V98030	Left Hand Lock Nut Unit	A
7	Y3CR09000	Left Hand Seal Ring	A A A
8	Y49V98040	Complete Freewheel Body	A A
9	Y3D310000	Body Fixing Bolt	A A
10	Y3CR08000	Right Hand Seal Ring	A A A
11	Y49V98050	Freewheel Body Unit	A A
12	Y37504000	Freewheel Body Washer	A A
13	Y4T724000	Low Spacer (1.85 mm)	A A
* 14	EWHRIM4FREBC	Black Rim {20H / Rim Sticker: Standard}	A
* 14	EWHRIM4FREWC	White Rim {20H / Rim Sticker: Standard}	A
* 15	EWHSPOKE3UB1	Spoke Unit {Spoke (298 mm x 10 pcs. / 299 mm x 10 pcs.) / Nipple (20 pcs.)}	
16	Y012Z4075	Nipple (Black)	A
17	Y49GS2000	Right Hand Spoke (298 mm)	A
18	Y49GS1000	Left Hand Spoke (299 mm)	
19	Y4DK89000	TL-WH78 Nipple Wrench	A A A
20	Y49G98150	Rim Sticker Unit (Standard) for Black Rim	
	Y49G98160	Rim Sticker Unit (Red) for Black Rim	
	Y49G98170	Rim Sticker Unit (Blue) for Black Rim	
	Y49G98180	Rim Sticker Unit (Orange) for Black Rim	
	Y49G98190	Rim Sticker Unit (Green) for Black Rim	
	Y49G98200	Rim Sticker Unit (Sky Blue) for Black Rim	
	Y49G98210	Rim Sticker Unit (High-Tech Grey) for Black Rim	
	Y49G98220	Rim Sticker Unit (Standard) for White Rim	
	Y49G98230	Rim Sticker Unit (Red) for White Rim	
	Y49G98240	Rim Sticker Unit (Blue) for White Rim	
	Y49G98250	Rim Sticker Unit (Orange) for White Rim	
	Y49G98260	Rim Sticker Unit (Green) for White Rim	
Y49G98270	Rim Sticker Unit (Sky Blue) for White Rim		
Y49G98280	Rim Sticker Unit (High-Tech Grey) for White Rim		
21	EWHRIMTAPERA	Rim Tape	A A A

A: Same parts.  
B: Parts are usable, but differ in materials, appearance, finish, size, etc.  
Absence of mark indicates non-interchangeability.

Aug.-2013-3576A  
© Shimano Inc. I

Specifications are subject to change without notice.

# SHIMANO