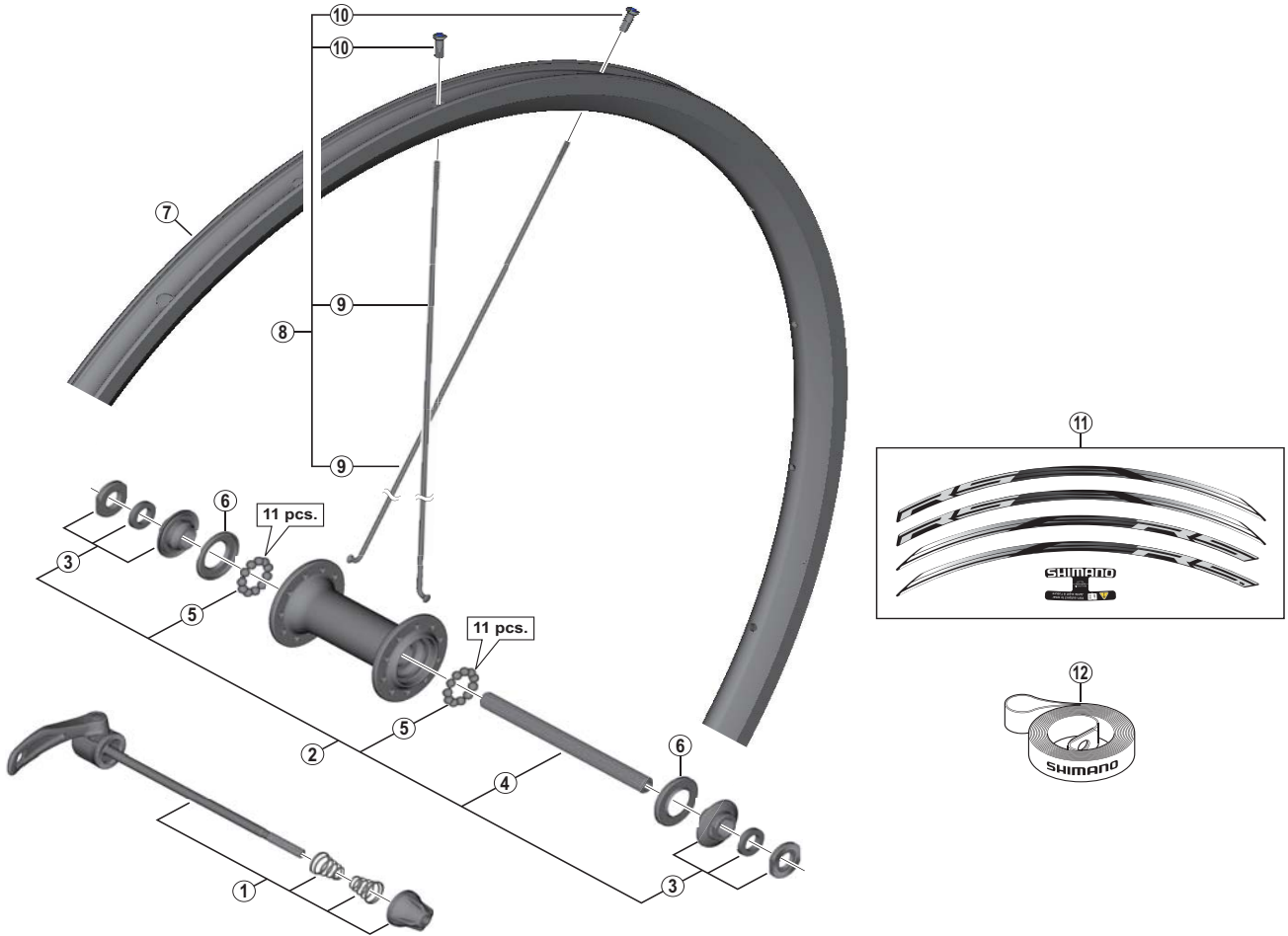


Front Wheel WH-RS010-F



• Over Lock Nut Dimension: 100 mm (3-15/16")

ITEM NO.	SHIMANO CODE NO.	DESCRIPTION	INTERCHANGEABILITY	
			WH-R501-F	WH-RS11-F
1	Y4SK98100	Complete Quick Release 133 mm (5-1/4")	A	
2	Y4SK98010	Complete Hub Axle 108 mm (4-1/4")	A	
3	Y2TA98030	Lock Nut Unit	A	
4	Y21C03100	Hub Axle M9 x 108 mm (4-1/4")	A	A
5	Y4BB98030	Steel Ball (3/16") 22 pcs.	A	A
6	Y2TA06000	Seal Ring	A	A
7	EWHRIM2F48	Rim {20H / Black}		
8	EWHSPOKE272C	Spoke Unit {Spoke (278 mm x 20 pcs.) / Nipple (20 pcs.)}		
9	Y0123Z785	Spoke (278 mm)	A	
10	Y012Y4341	Nipple	A	
*	Y48T98010	Rim Sticker Unit (Standard)		
	Y48T98020	Rim Sticker Unit (Red)		
	Y48T98030	Rim Sticker Unit (Blue)		
	Y48T98040	Rim Sticker Unit (Orange)		
	Y48T98050	Rim Sticker Unit (Green)		
	Y48T98060	Rim Sticker Unit (Sky Blue)		
	Y48T98070	Rim Sticker Unit (High-Tech Grey)		
12	EWHRIMTAPERA	Rim Tape	A	A

A: Same parts.

B: Parts are usable, but differ in materials, appearance, finish, size, etc.

Absence of mark indicates non-interchangeability.

Specifications are subject to change without notice.

Apr.-2015-3687B

© Shimano Inc. I

SHIMANO