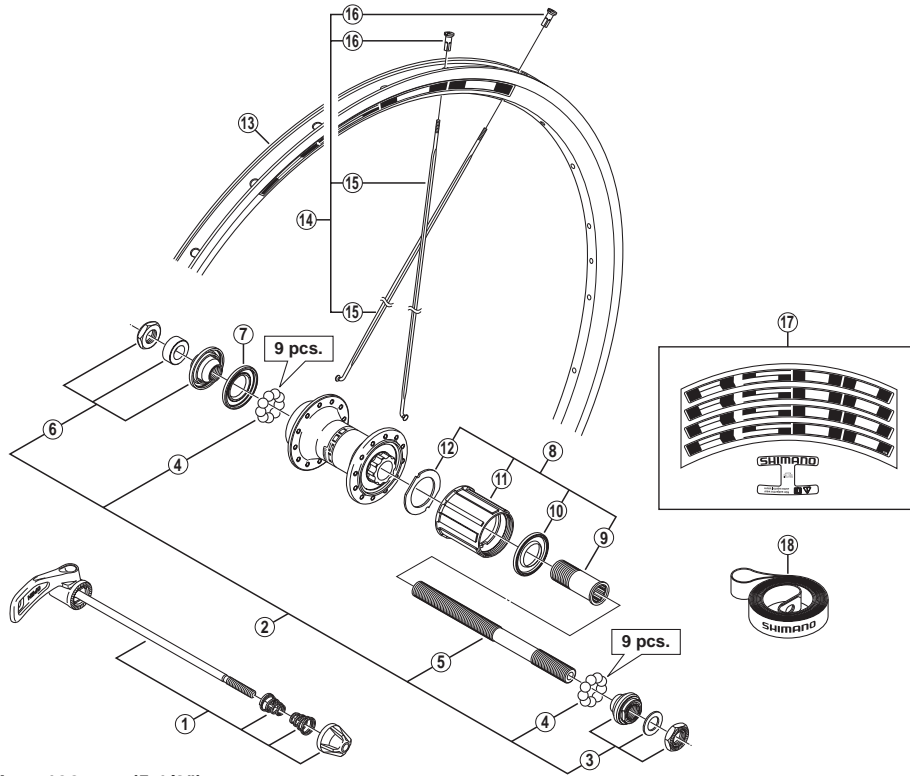


Rear Wheel (8/9/10-Speed)

WH-R501-30-S-R Silver
WH-R501-30-W-R White

WH-R501-30-L-R Black



• Over Lock Nut Dimension: 130 mm (5-1/8")

WH-R501-R
 WH-R501-A-R

ITEM NO.	SHIMANO CODE NO.	DESCRIPTION	INTERCHANGEABILITY	
* 1	Y4SK98110	Complete Quick Release 163 mm (6-13/32") Black	A	
* 1	Y4SK98120	Complete Quick Release 168 mm (6-5/8") Black	A	
2	Y4SK98030	Complete Hub Axle 141 mm (5-9/16")	A	A
3	Y4SK98040	Right Hand Lock Nut Unit	A	A
4	Y00091310	Steel Ball (1/4") 18 pcs.	A	A
5	Y30K01100	Hub Axle M10 x 141 mm (5-9/16")	A	A
6	Y4SK98060	Left Hand Lock Nut Unit	A	A
7	Y3CR09000	Left Hand Seal Ring	A	A
8	Y4SK98070	Complete Freewheel Body	A	A
9	Y3BL03000	Body Fixing Bolt	A	A
10	Y3CR08000	Right Hand Seal Ring	A	A
11	Y4SK98080	Freewheel Body Unit	A	A
12	Y3AN10000	Freewheel Body Washer	A	A
13	EWHRIM2TRDAC	Rim for WH-R501-30-S {24H / Silver / Rim Sticker: Red}		
	EWHRIM2TRDBC	Rim for WH-R501-30-L {24H / Black / Rim Sticker: Red}		
	EWHRIM2TRDBC	Rim for WH-R501-30-L {24H / Black / Rim Sticker: Monotone}		
* 13	EWHRIM2TRDWC	Rim for WH-R501-30-W {24H / White / Rim Sticker: Red}		
14	EWHSPOKE2SB1	Spoke Unit {Spoke (282 mm x 24 pcs.) / Nipple (24 pcs.)}		
15	Y01234827	Spoke (282 mm)		
16	Y012Y4341	Nipple	A	A
* 17	Y4SB98010	Rim Sticker Unit (Red) for WH-R501-30-S		
	Y4SB98020	Rim Sticker Unit (Red) for WH-R501-30-L		
	Y4SB98030	Rim Sticker Unit (Monotone) for WH-R501-30-L		
	Y4SB98040	Rim Sticker Unit (Blue) for WH-R501-30-L		
	Y4SB98050	Rim Sticker Unit (Orange) for WH-R501-30-L		
	Y4SB98060	Rim Sticker Unit (Green) for WH-R501-30-L		
	Y4SB98070	Rim Sticker Unit (Sky Blue) for WH-R501-30-L		
	Y4SB98080	Rim Sticker Unit (High-Tech Grey) for WH-R501-30-L		
	Y4SB98090	Rim Sticker Unit (Red) for WH-R501-30-W		
	Y4SB98100	Rim Sticker Unit (Blue) for WH-R501-30-W		
	Y4SB98110	Rim Sticker Unit (Orange) for WH-R501-30-W		
	Y4SB98120	Rim Sticker Unit (Green) for WH-R501-30-W		
	Y4SB98130	Rim Sticker Unit (Sky Blue) for WH-R501-30-W		
	Y4SB98140	Rim Sticker Unit (High-Tech Grey) for WH-R501-30-W		
18	EWHRIMTAPERA	Rim Tape	A	A

A: Same parts.

B: Parts are usable, but differ in materials, appearance, finish, size, etc.

Absence of mark indicates non-interchangeability.

Feb.-2013-3264B

© Shimano Inc. I

Specifications are subject to change without notice.

SHIMANO