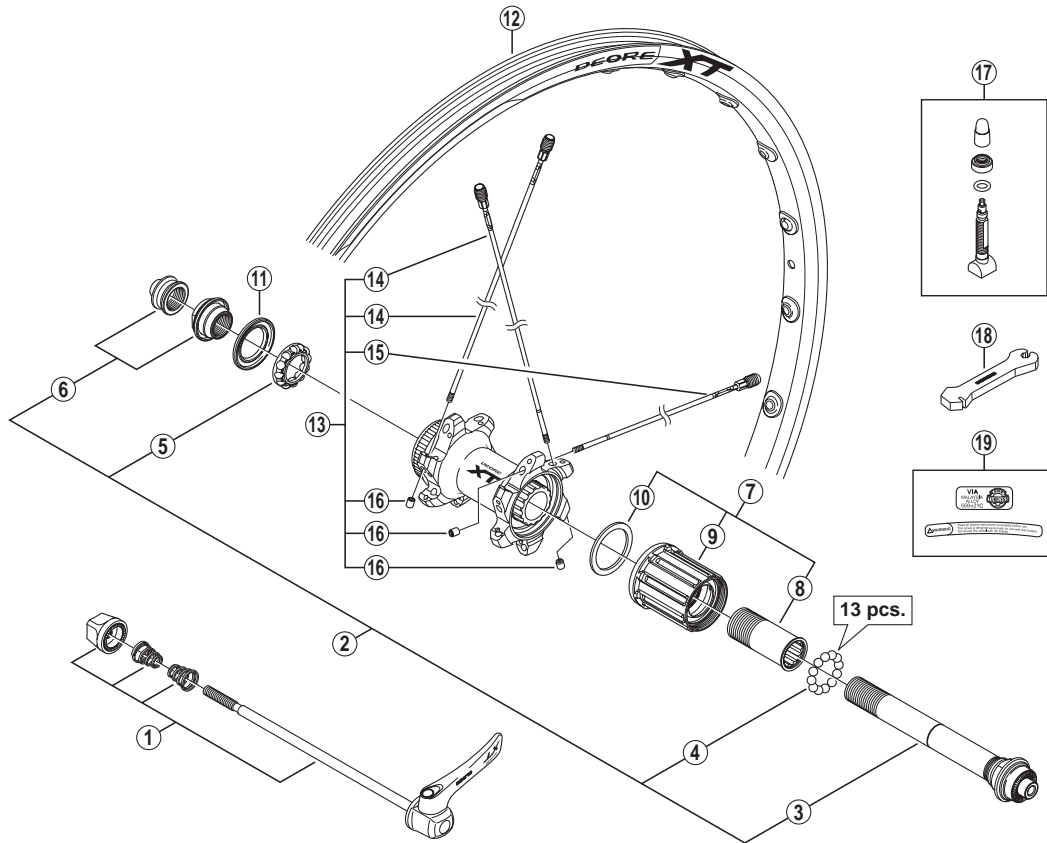


DEORE XT Rear Wheel (8/9/10-Speed)  
**WH-M788-R** For Disc Brake



WH-M788-R

ITEM NO.	SHIMANO CODE NO.	DESCRIPTION	INTERCHANGEABILITY
1	Y3TG98010	Complete Quick Release 168 mm (6-5/8")	B
	Y3TG98020	Complete Quick Release 173 mm (6-13/16")	B
2	Y3TG98030	Complete Hub Axle	
3	Y3CZ98020	Hub Axle Unit	
4	Y00091210	Steel Ball (3/16") 20 pcs.	B
5	Y26J98030	Ball Retainer (3/16")	
6	Y3TG98040	Left Hand Lock Nut (M14) & Cone (M14) w/Dust Cover	
7	Y3CZ98040	Complete Freewheel Body w/Body Fixing Bolt	B
8	Y3CZ18000	Body Fixing Bolt	B
9	Y3CZ98050	Freewheel Body Unit	B
10	Y3CZ12000	Freewheel Body Washer	B
11	Y26D10000	Seal Ring	A
12	EWHRIM2VDBC	Rim {24H}	
13	EWH-SPOKE2VB1	Spoke Unit {Spoke (269 mm x 6 pcs. & 271 mm x 18 pcs.) / Spoke Plug (24 pcs.) / Washer (24 pcs.) / Hub Nut (24 pcs.)}	
14	Y4S698010	Spoke (271 mm) w/Plug & Washer	
15	Y4S698020	Spoke (269 mm) w/Plug & Washer	
16	Y4G308100	Hub Nut	A
17	Y4G398030	Valve Unit	A
18	Y4DA09000	Spoke Plug Wrench	A
19	Y4S698030	Rim Sticker Unit	

A: Same parts.

B: Parts are usable, but differ in materials, appearance, finish, size, etc.

Absence of mark indicates non-interchangeability.

Jun.-2011-3190  
 © Shimano Inc. I

Specifications are subject to change without notice.

**SHIMANO**