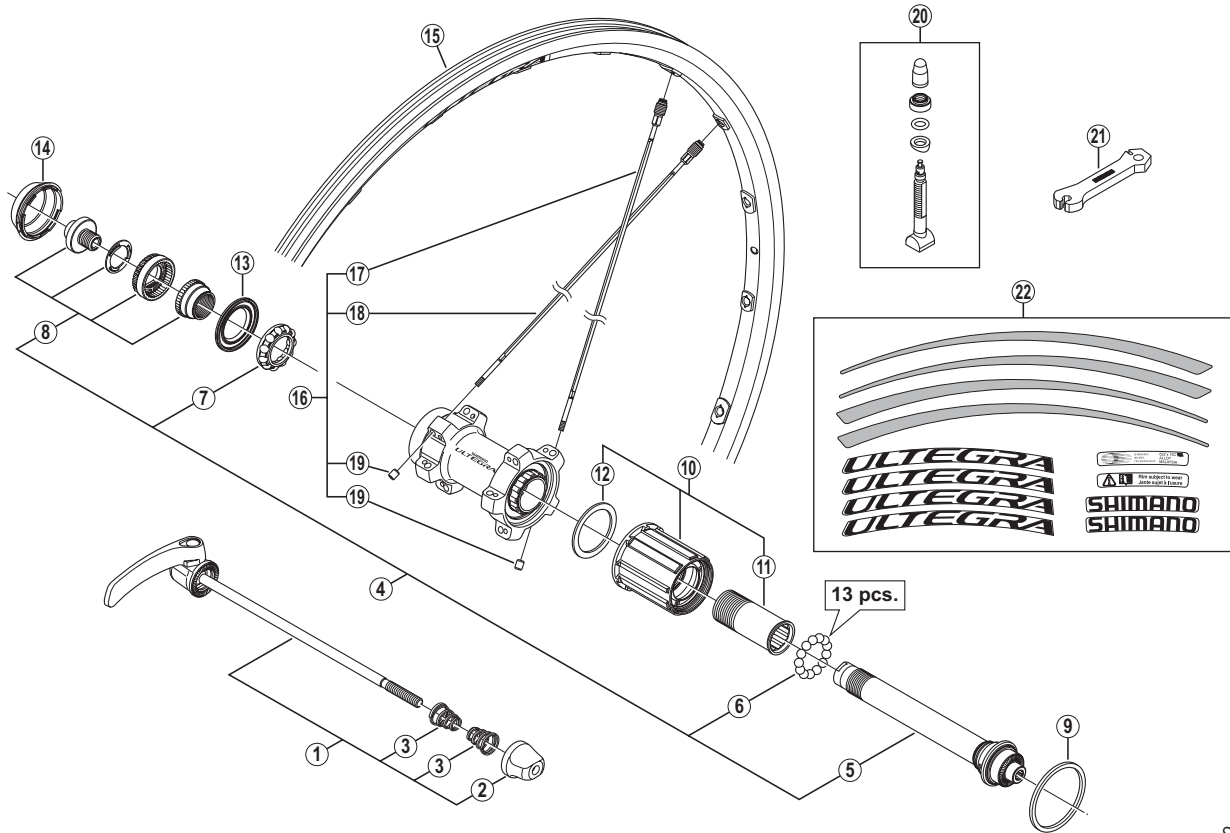


ULTEGRA Rear Wheel WH-6800-R 10/11-Speed



• Over Lock Nut Dimension: 130 mm (5-1/8")

WH-9000-C24-TL
WH-M785-R

ITEM NO.	SHIMANO CODE NO.	DESCRIPTION	INTERCHANGEABILITY
1	Y49398010	Complete Quick Release 163 mm (6-13/32")	B
	Y49398020	Complete Quick Release 168 mm (6-5/8")	B
2	Y23W91100	Quick Release Nut	B
3	Y23111000	Volute Spring	B
4	Y49398030	Complete Hub Axle	
5	Y49398040	Hub Axle Unit	
6	Y00091210	Steel Ball (3/16") 20 pcs.	A
7	Y26J98030	Ball Retainer (3/16")	A
8	Y49398050	Left Hand Lock Bolt Unit	
9	Y4T724000	Low Spacer (1.85 mm)	A
10	Y49398060	Complete Freewheel Body	B
11	Y3CZ18000	Body Fixing Bolt	B A
12	Y3CZ12000	Freewheel Body Washer	A A
13	Y28M07000	Seal Ring	B
14	Y3E212000	Left Hand Dust Cover	
* 15	EWHRIM4EREGD	Rim {20H}	
16	EWHSPOKE3TB1	Spoke Unit {Spoke (303 mm x 10 pcs. & 305 mm x 10 pcs.) / Spoke Plug (20 pcs.) / Washer (20 pcs.) / Hub Nut (20 pcs.)}	B
17	Y49398070	Right Hand Spoke (303 mm) w/Plug & Washer	B
18	Y49398080	Left Hand Spoke (305 mm) w/Plug & Washer	B
19	Y4G308000	Hub Nut	A A
20	Y4DS98060	Valve Unit	A
21	Y4CK19000	Spoke Plug Wrench	A A
22	Y49398090	Rim Sticker Unit	

A: Same parts.

B: Parts are usable, but differ in materials, appearance, finish, size, etc.

Absence of mark indicates non-interchangeability.

Aug.-2013-3611B
© Shimano Inc. I

Specifications are subject to change without notice.

SHIMANO