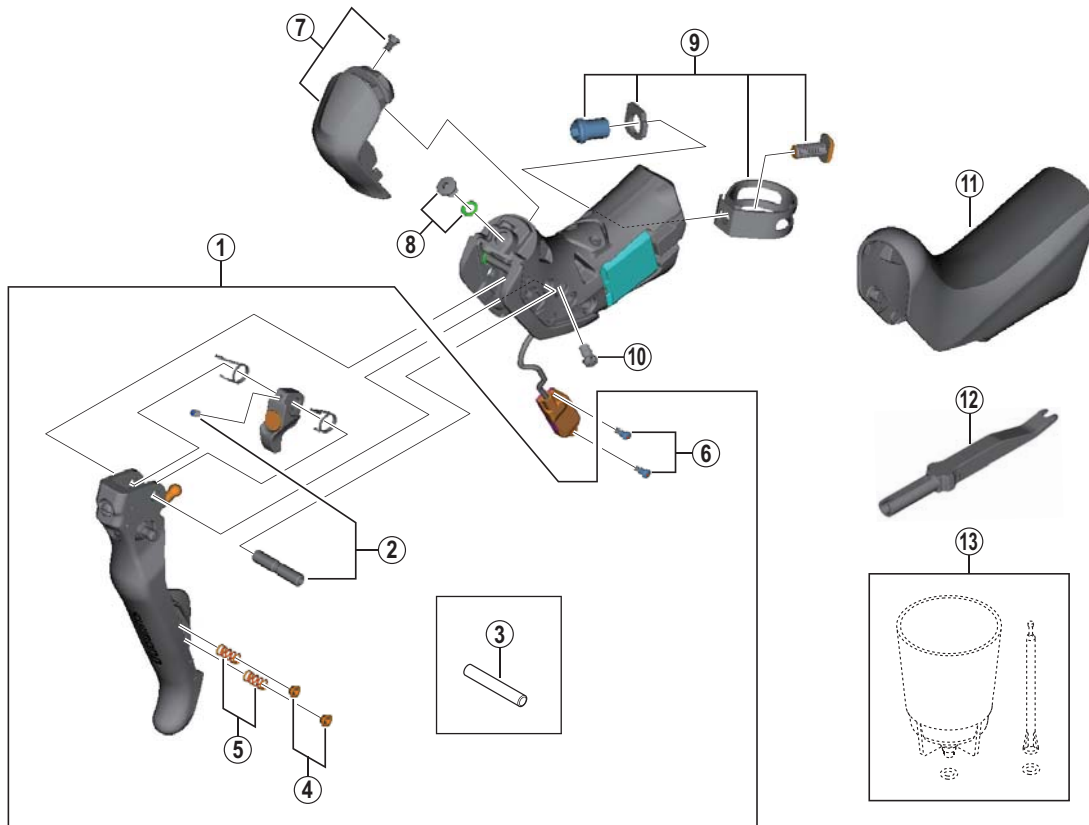


Dual Control Lever

ST-R785 For Hydraulic Disc Brake



ITEM NO.	SHIMANO CODE NO.	DESCRIPTION
1	Y07T98010	R.H. Main Lever Assembly
	Y07R98010	L.H. Main Lever Assembly
2	Y07T98050	Lever Axle & Fixing Bolt
3	Y07T27000	TL-ST04 Assembly Lever Axle
4	Y6X098020	SW Button (2 pcs.)
5	Y6RX98080	Switch Spring (2 pcs.)
6	Y6RX98060	Switch Unit Fixing Screw (2 pcs.)
7	Y07T98060	R.H. Name Plate & Fixing Screw
	Y07R98020	L.H. Name Plate & Fixing Screw
8	Y8V398010	Bleed Screw (M5 x 4.7) & O-Ring
9	Y07T98070	Clamp Band Unit (ø23.8 mm - ø24.2 mm)
10	Y07T10000	Free Stroke Adjustment Screw
11	Y07T98080	Bracket Covers (Pair)
12	Y6VE16000	TL-EW02 Plug Tool
13	ESMDISCBP	Funnel & Oil Stopper

Feb.-2014-3557
© Shimano Inc. I

Specifications are subject to change without notice.

SHIMANO