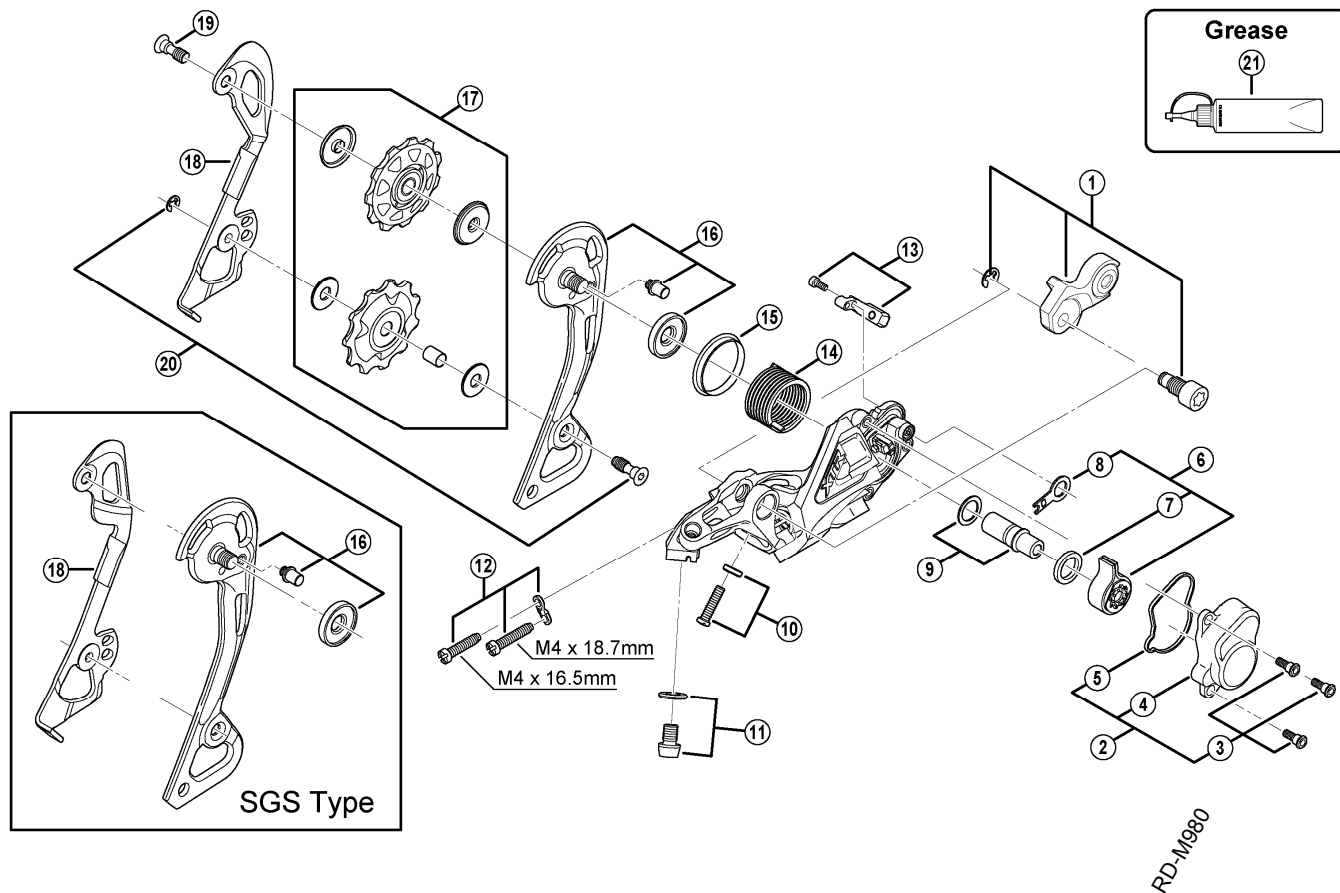


XTR Rear Derailleur

**RD-M985** (GS) Long Cage

**RD-M985** (SGS) Super Long Cage



ITEM NO.	SHIMANO CODE NO.	DESCRIPTION	INTERCHANGEABILITY	
* 1	Y5XD98130	Bracket Axle Unit	A	
2	Y5XD98010	P-Cover Unit		
3	Y5XD98020	P-Cover Bolt Set (3 pcs.)		
4	Y5XD20000	P-Cover		
5	Y5XD21000	P-Cover Packing		
6	Y5XD98030	Stabilizer Unit		
7	Y5XD38000	P-Axle Washer 2		
8	Y5XD35000	Switch Stabilizer		
9	Y5XD98050	P-Axle Unit & Washer		
10	Y5XC98040	B-Tension Adjusting Screw (M4 x 15.1) & Plate	A	
11	Y5XC98050	Cable Fixing Bolt (M6 x 8) & Plate	A	
12	Y5WJ98020	Adjusting Screws & Plate	A	
13	Y5XD98070	Switch Lever Unit & Bolt (M2.6 x 6)		
14	Y5XD19000	P-Tension Spring		
15	Y5XD15000	P-Seal Ring		
16	Y5XD98090	Outer Plate Assembly (GS-Type)		
	Y5XD98100	Outer Plate Assembly (SGS-Type)		
17	Y5XC98110	Guide & Tension Pulley Unit	A	
18	Y5XC09000	Inner Plate (GS-Type)	A	
	Y5XC10000	Inner Plate (SGS-Type)	A	
19	Y5WJ21000	Guide Pulley Bolt	A	
20	Y5XC98100	Tension Pulley Bolt & Stop Ring	A	
21	Y04120800	Grease for Stabilizer (Net. 100g)		

A: Same parts.

B: Parts are usable, but differ in materials, appearance, finish, size, etc.  
Absence of mark indicates non-interchangeability.

Apr.-2012-3156A  
© Shimano Inc. A

Specifications are subject to change without notice.

**SHIMANO**