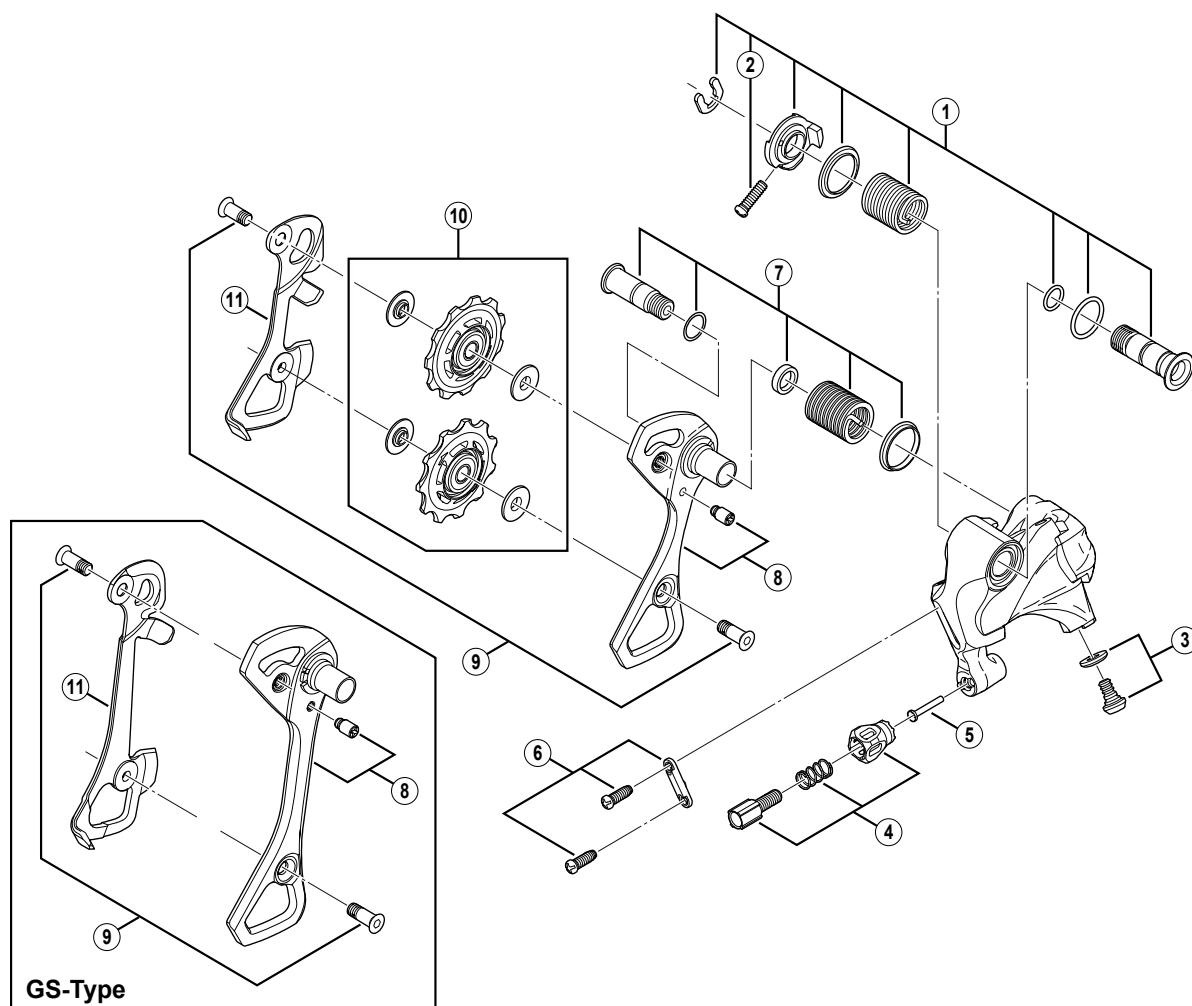


# ULTEGRA Rear Derailleur (11-speed)

## RD-6800 (SS/GS) Short Cage/Long Cage



RD-9000

| ITEM NO. | SHIMANO CODE NO. | DESCRIPTION                                 | INTERCHANGEABILITY |  |
|----------|------------------|---|--------------------|--|
| 1        | Y5YC98010        | B-Axle Assembly                             |                    |  |
| 2        | Y55625080        | B-Tension Adjusting Screw (M4 x 13.5)       | A                  |  |
| 3        | Y5YC98020        | Cable Fixing Bolt & Plate                   |                    |  |
| 4        | Y5YC98030        | Cable Adjusting Bolt Unit                   | B                  |  |
| 5        | Y5XX38000        | Cover with tongue                           | A                  |  |
| 6        | Y5YC98040        | Stroke Adjusting Screws (M4 x 11.5) & Plate | B                  |  |
| * 7      | Y5YC98050        | Plate Axle Assembly (SS-type)               |                    |  |
|          | Y5YC98060        | Plate Axle Assembly (GS-type)               |                    |  |
| * 8      | Y5YC98070        | Outer Plate & Plate Stopper Pin (SS-type)   |                    |  |
|          | Y5YC98080        | Outer Plate & Plate Stopper Pin (GS-type)   |                    |  |
| 9        | Y5X998070        | Pulley Bolt 10.5mm & 12.5mm                 |                    |  |
| 10       | Y5YC98140        | Tension & Guide Pulley Set                  |                    |  |
| 11       | Y5YC08000        | Inner Plate (SS-type)                       |                    |  |
|          | Y5YC25000        | Inner Plate (GS-type)                       |                    |  |

A: Same parts.

B: Parts are usable, but differ in materials, appearance, finish, size, etc.

Absence of mark indicates non-interchangeability.

Sep.-2015-3608D

© Shimano Inc. H

Specifications are subject to change without notice.

# SHIMANO