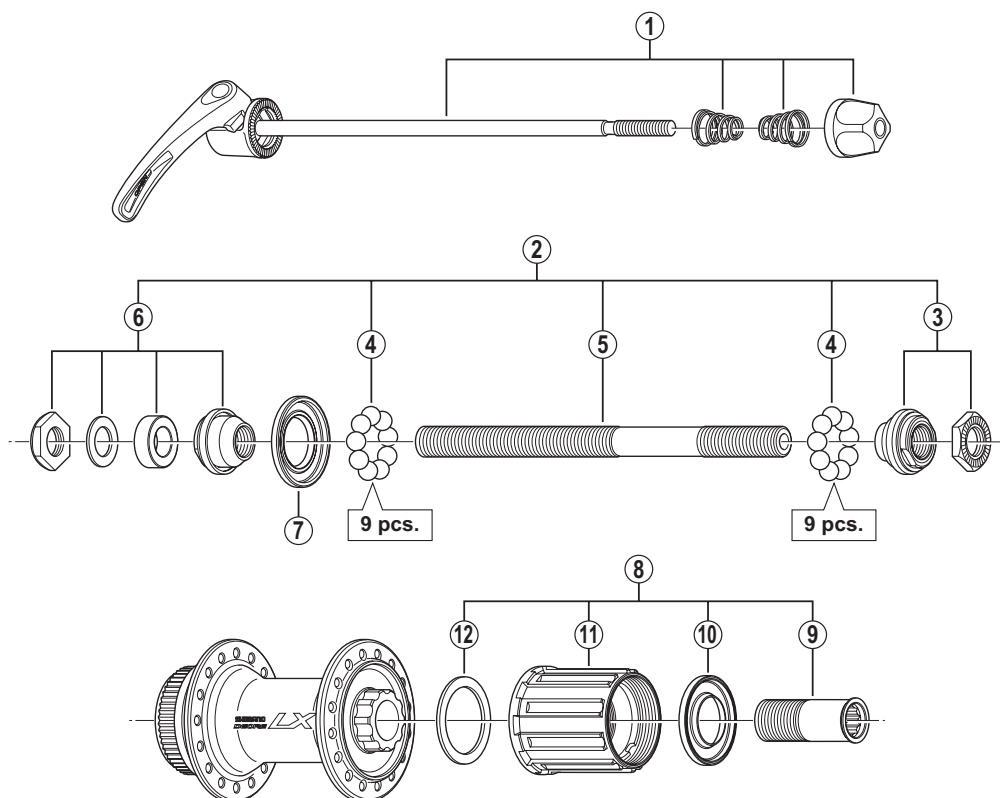


DEORE LX Freehub (8/9/10-Speed)

FH-T675

For Disc Brake



• Over Lock Nut Dimension: 135 mm (5-5/16")

FH-M675
FH-T685

| ITEM NO. | SHIMANO CODE NO. | DESCRIPTION | INTERCHANGEABILITY | |
|----------|------------------|---|--------------------|---|
| 1 | Y3TV98010 | Complete Quick Release 168 mm (6-5/8") Silver | B | A |
| | Y3TV98020 | Complete Quick Release 168 mm (6-5/8") Black | B | A |
| | Y3TV98030 | Complete Quick Release 173 mm (6-13/16") Silver | B | A |
| | Y3TV98040 | Complete Quick Release 173 mm (6-13/16") Black | B | A |
| 2 | Y3SZ98010 | Complete Hub Axle 146 mm (5-3/4") | A | |
| 3 | Y4C898050 | Right Hand Lock Nut Unit | A | |
| 4 | Y00091310 | Steel Ball (1/4") 18 pcs. | A | A |
| 5 | Y30K01200 | Hub Axle M10 x 146 mm (5-3/4") | A | A |
| 6 | Y3SZ98020 | Left Hand Lock Nut Unit | A | |
| 7 | Y3CR09000 | Left Hand Seal Ring | A | A |
| 8 | Y3D698040 | Complete Freewheel Body | A | |
| 9 | Y3BL03000 | Body Fixing Bolt | A | |
| 10 | Y3CR08000 | Right Hand Seal Ring | A | A |
| 11 | Y3D698050 | Freewheel Body Unit | A | |
| 12 | Y37504000 | Freewheel Body Washer | A | A |

A: Same parts.

B: Parts are usable, but differ in materials, appearance, finish, size, etc.

Absence of mark indicates non-interchangeability.

Jul.-2012-3315
© Shimano Inc. I

Specifications are subject to change without notice.

SHIMANO