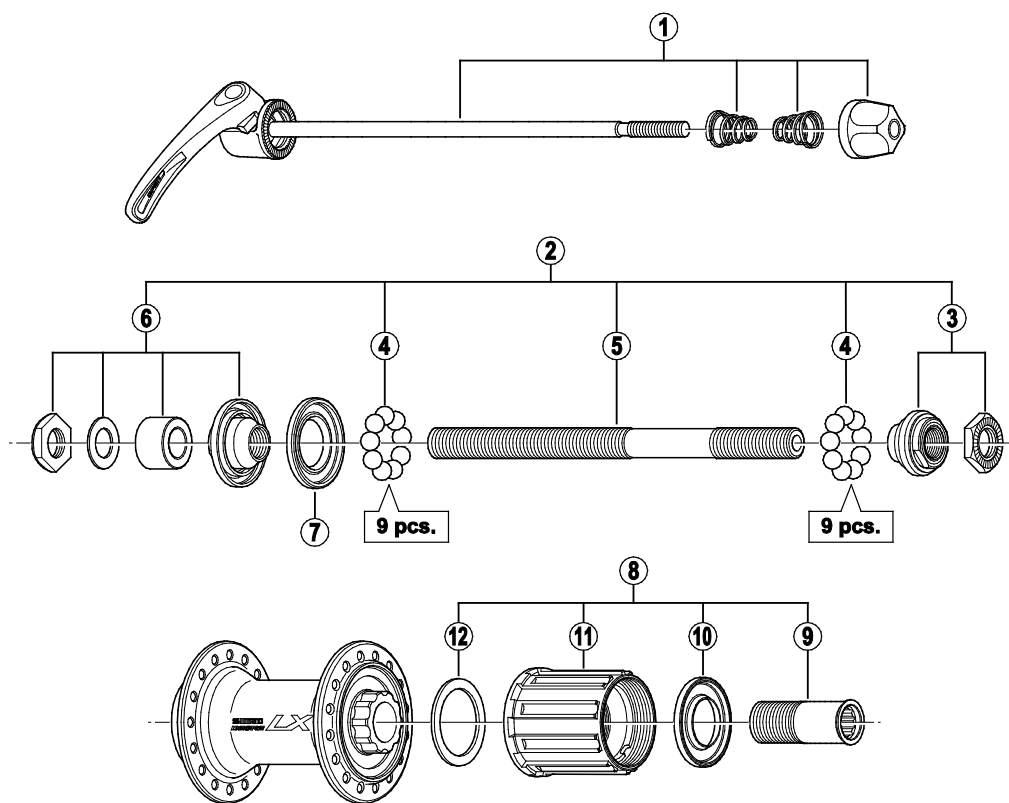


DEORE LX Freehub FH-T670 8/9/10-Speed



• Over Lock Nut Dimension: 135 mm (5-5/16")

FH-T780
FH-T680

| ITEM NO. | SHIMANO CODE NO. | DESCRIPTION | INTERCHANGEABILITY |
|----------|------------------|---|--------------------|
| 1 | Y3TV98010 | Complete Quick Release 168 mm (6-5/8") Silver | B A |
| | Y3TV98020 | Complete Quick Release 168 mm (6-5/8") Black | B A |
| | Y3TV98030 | Complete Quick Release 173 mm (6-13/16") Silver | B A |
| | Y3TV98040 | Complete Quick Release 173 mm (6-13/16") Black | B A |
| 2 | Y3TV98050 | Complete Hub Axle 146 mm (5-3/4") | A |
| 3 | Y3SP98090 | Right Hand Lock Nut Unit | A |
| 4 | Y00091310 | Steel Ball (1/4") 18 pcs. | A A |
| 5 | Y30K01200 | Hub Axle M10 x 146 mm (5-3/4") | A |
| 6 | Y3D698030 | Left Hand Lock Nut Unit | A |
| 7 | Y3CR09000 | Left Hand Seal Ring | A |
| 8 | Y3D698040 | Complete Freewheel Body | A |
| 9 | Y3BL03000 | Body Fixing Bolt | A |
| 10 | Y3CR08000 | Right Hand Seal Ring | A |
| 11 | Y3D698050 | Freewheel Body Unit | A |
| 12 | Y37504000 | Freewheel Body Washer | A |

A: Same parts.

B: Parts are usable, but differ in materials, appearance, finish, size, etc.

Absence of mark indicates non-interchangeability.

Jul.-2012-3314
© Shimano Inc. I

Specifications are subject to change without notice.

SHIMANO