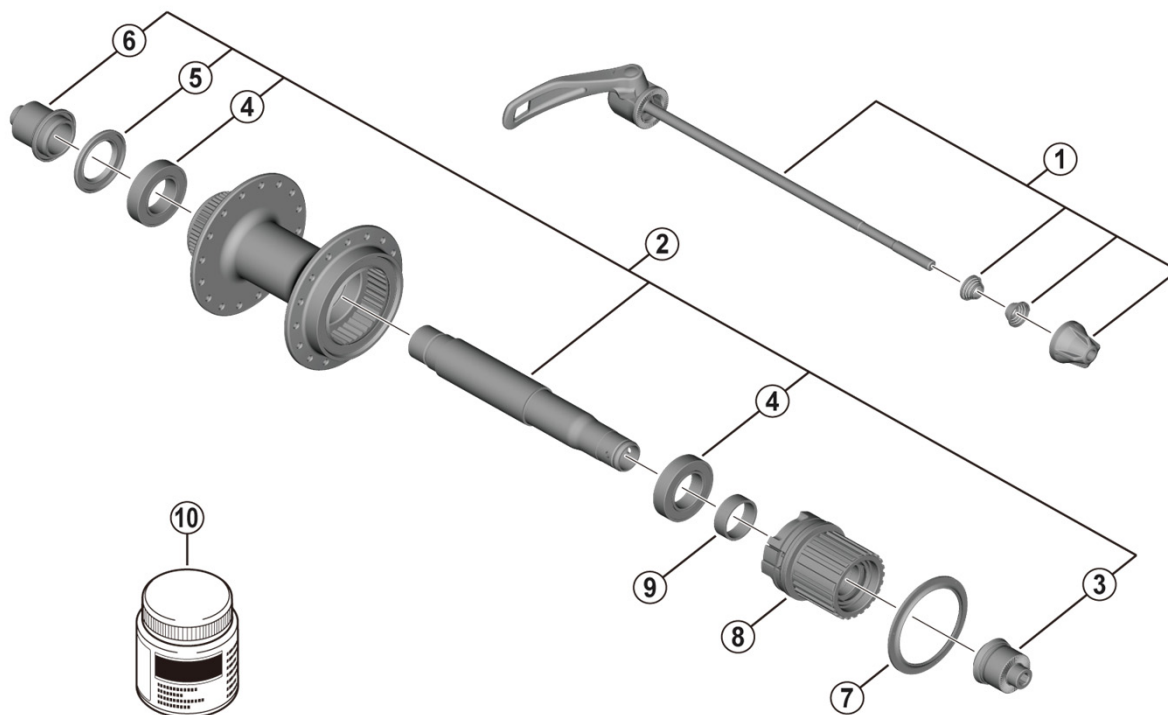


Freehub (12-Speed) For Disc Brake

FH-MT401 FH-MT401-B



• Over Lock Nut Dimension: 135 mm for FH-MT401 / 141 mm for FH-MT401-B

ITEM NO.	SHIMANO CODE NO.	DESCRIPTION	FH-M4050		FH-MT500	
			INTERCHANGEABILITY			
*	1	Y4SK98120	Complete Quick Release 168 mm	A	A	
	1	Y31H98010	Complete Quick Release 173 mm	A	A	
	1	Y3HW98010	Complete Quick Release 174 mm	A	A	
*	2	Y3GC98040	Complete Quick Release 178 mm	A	A	
2	2	Y3HX98010	Complete Hub Axle for FH-MT401			
	2	Y3HW98020	Complete Hub Axle for FH-MT401-B			
3	3	Y3HW98030	Right Hand Cap Unit			
4	4	Y3HV48000	Ball Bearing			
5	5	Y26D10000	Seal Ring			A
6	6	Y3HW98040	Left Hand Nut w/Dust Cover			
7	7	Y3GD10000	Outer Seal Cap			A
8	8	Y3HV98040	Freewheel Body Unit			B
9	9	Y3HV47000	Spacer			
10	10	Y3B980000	Grease for FREEHUB 50g			A

A: Same parts.

B: Parts are usable, but differ in materials, appearance, finish, size, etc.

Absence of mark indicates non-interchangeability.

Jul.-2020-4714A

© Shimano Inc. |

Specifications are subject to change without notice.

SHIMANO