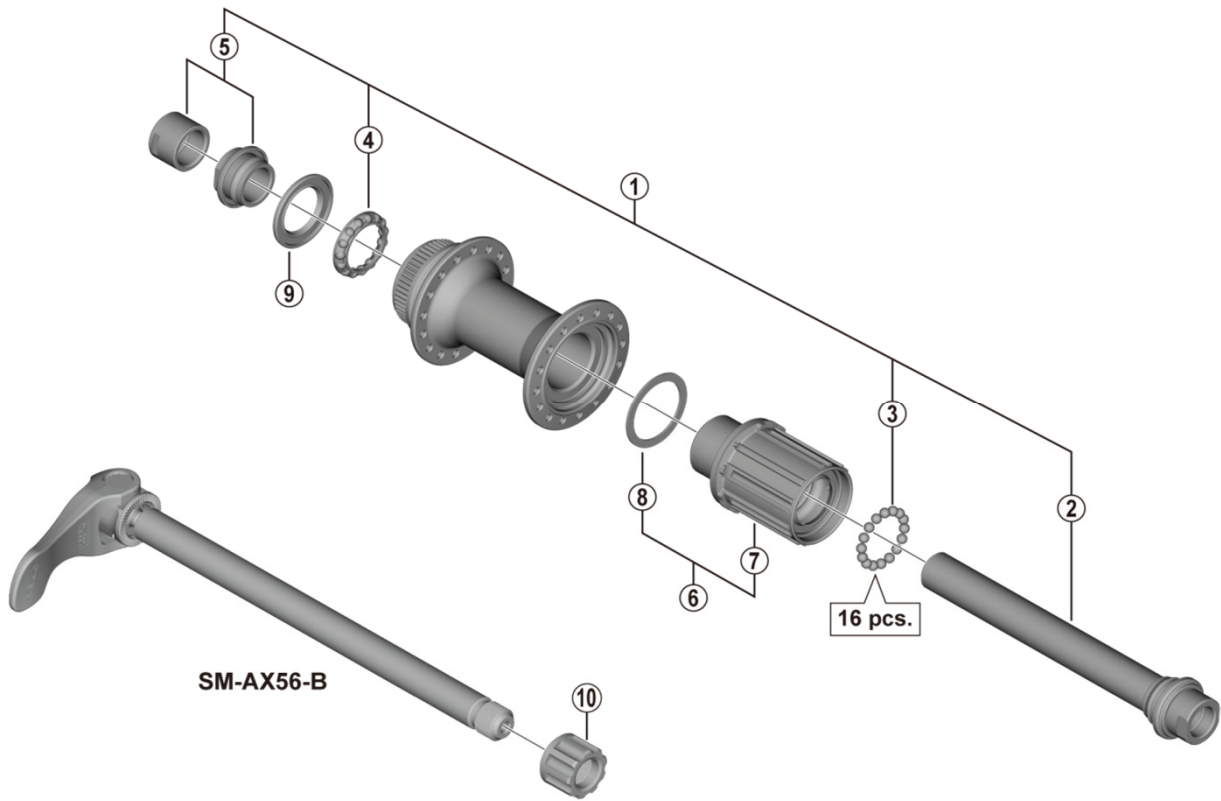


Freehub (8/9/10-speed) for Disc Brake

FH-MT400-B SM-AX56-B



• Over Lock Nut Dimension: 148 mm (5-13/16")

ITEM NO.	SHIMANO CODE NO.	DESCRIPTION	INTERCHANGEABILITY					
			WH-MT500-CL-R12-B	WH-MT600-CL-R12-B	WH-RS170	FH-RS470	WH-RS171	FH-MT400
1	Y3F898010	Complete Hub Axle						
2	Y3F898020	Hub Axle						
3	Y4FE98030	Steel Ball (5/32") 34 pcs.	A	A	A	A	A	A
4	Y0CJ98030	Ball Retainer (5/32" x 15)	A	A	A	A	A	A
5	Y0CK98030	Left Hand Lock Nut & Cone w/Dust Cover	A	A	A			A
6	Y3F898030	Complete Freewheel Body						
7	Y3F898040	Freewheel Body Unit	A	A				
8	Y3CZ12000	Freewheel Body Washer						A
9	Y26D10000	Seal Ring						A
10	Y27Y02000	Fixing Nut (M12)						

Jan.-2019-4358

© Shimano Inc. ITP

Specifications are subject to change without notice.

SHIMANO