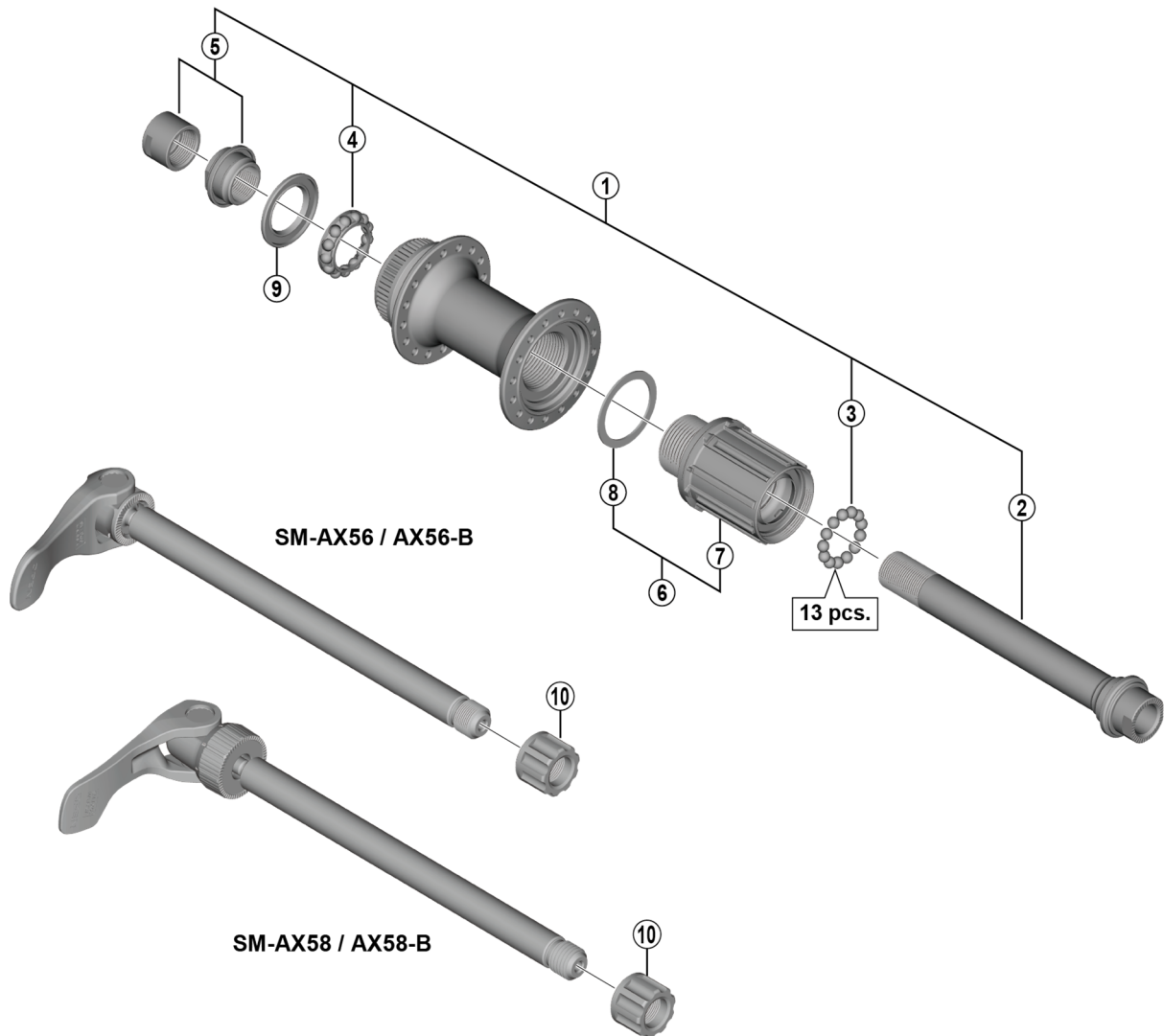


DEORE Freehub (8/9/10-speed) for Disc Brake

# FH-M6010/M6010-B

# SM-AX58/AX56/AX58-B/AX56-B



• Over Lock Nut Dimension: 142 mm (5-19/32") for FH-M6010 / 148 mm (5-13/16") for FH-M6010-B

ITEM NO.	SHIMANO CODE NO.	DESCRIPTION	INTERCHANGEABILITY	
1	Y3TL98010	Complete Hub Axle for FH-M6010	A	
	Y39F98010	Complete Hub Axle for FH-M6010-B	A	
2	Y3TL98020	Hub Axle for FH-M6010	A	
	Y39F98020	Hub Axle for FH-M6010-B	A	
3	Y00091210	Steel Ball (3/16") 20 pcs.	A	
4	Y3D498050	Ball Retainer (3/16")	A	
5	Y3TL98030	Left Hand Lock Nut (M15) & Cone (M15) w/Dust Cover	A	
6	Y39Y98010	Complete Freewheel Body	A	
7	Y39Y98020	Freewheel Body Unit	A	
8	Y3CZ12000	Freewheel Body Washer	A	
9	Y26D10000	Seal Ring	A	
10	Y27Y02000	Fixing Nut (M12)	A	

A: Same parts.

B: Parts are usable, but differ in materials, appearance, finish, size, etc.

Absence of mark indicates non-interchangeability.

Specifications are subject to change without notice.

FH-M618

May-2017-4197

© Shimano Inc. I

# SHIMANO