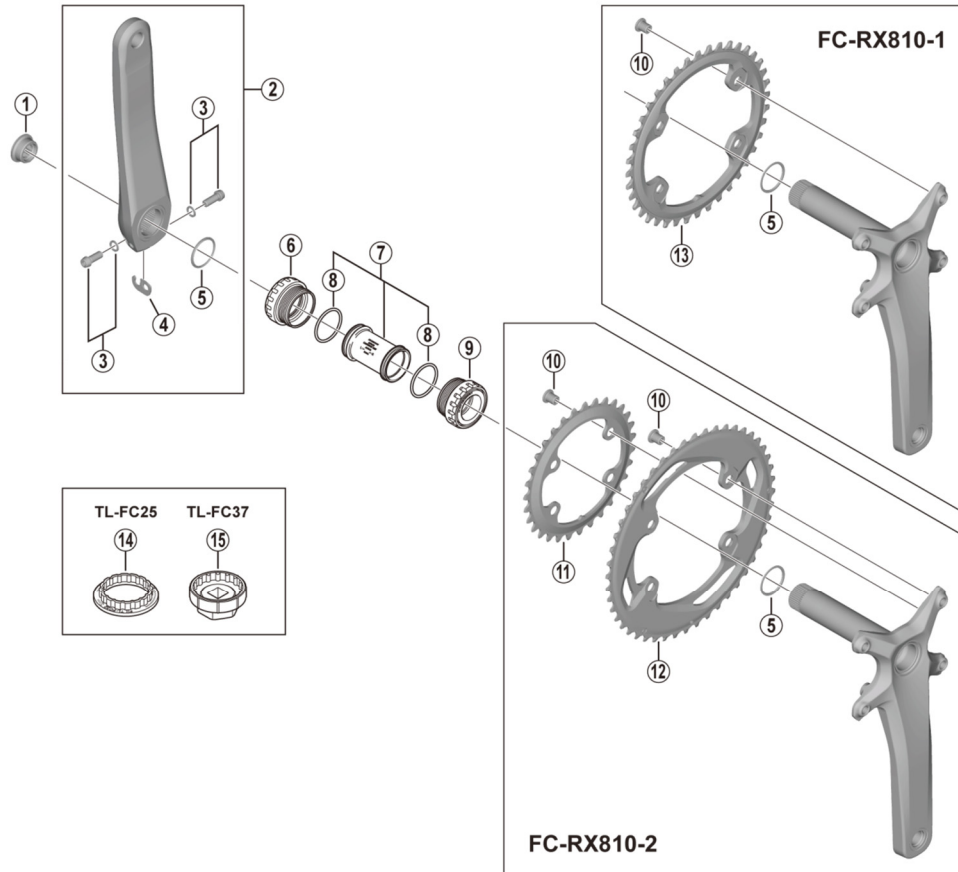


GRX Crankset FC-RX810 SM-BBR60



- Chaining teeth combinations: 48-31T / 42T / 40T
- Bolt circle diameter: 110 mm...(For outer gear), 80 mm...(For inner gear)

ITEM NO.	SHIMANO CODE NO.	DESCRIPTION
1	Y0J620000	Crank Arm Fixing Bolt
2	Y0JR98020	Left Hand Crank Arm Unit 170 mm
	Y0JR98030	Left Hand Crank Arm Unit 172.5 mm
	Y0JR98040	Left Hand Crank Arm Unit 175 mm
3	Y1G398010	Clamp Bolt (M6 x 19) & Washer
4	Y1GE98050	Plate
5	Y1F316000	Ring
6	Y1P598010	Left Hand Adapter (B.C.1.37" x 24T) English Thread (SM-BBR60)
	Y1P598020	Left Hand Adapter (M36 x 24T) Italian Thread (SM-BBR60)
7	Y1G398150	Inner Cover & O-Ring
8	Y1TF21000	O-Ring
9	Y1P598030	Right Hand Adapter (B.C.1.37" x 24T) English Thread (SM-BBR60)
	Y1P598040	Right Hand Adapter (M36 x 24T) Italian Thread (SM-BBR60)
10	Y0JR98050	Gear Fixing Bolt (M8 x 9 / 1 Unit = 4 pcs.)
11	Y0JR31000	Chainring 31T-ND
12	Y0JR98010	Chainring 48T-ND
13	Y0JP98010	Chainring 40T
	Y0JP98020	Chainring 42T
14	Y13009260	TL-FC25 Adapter Installation Tool
15	Y13009270	TL-FC37 Adapter Installation Tool

May-2019-4586
© Shimano Inc. I

Specifications are subject to change without notice.

SHIMANO