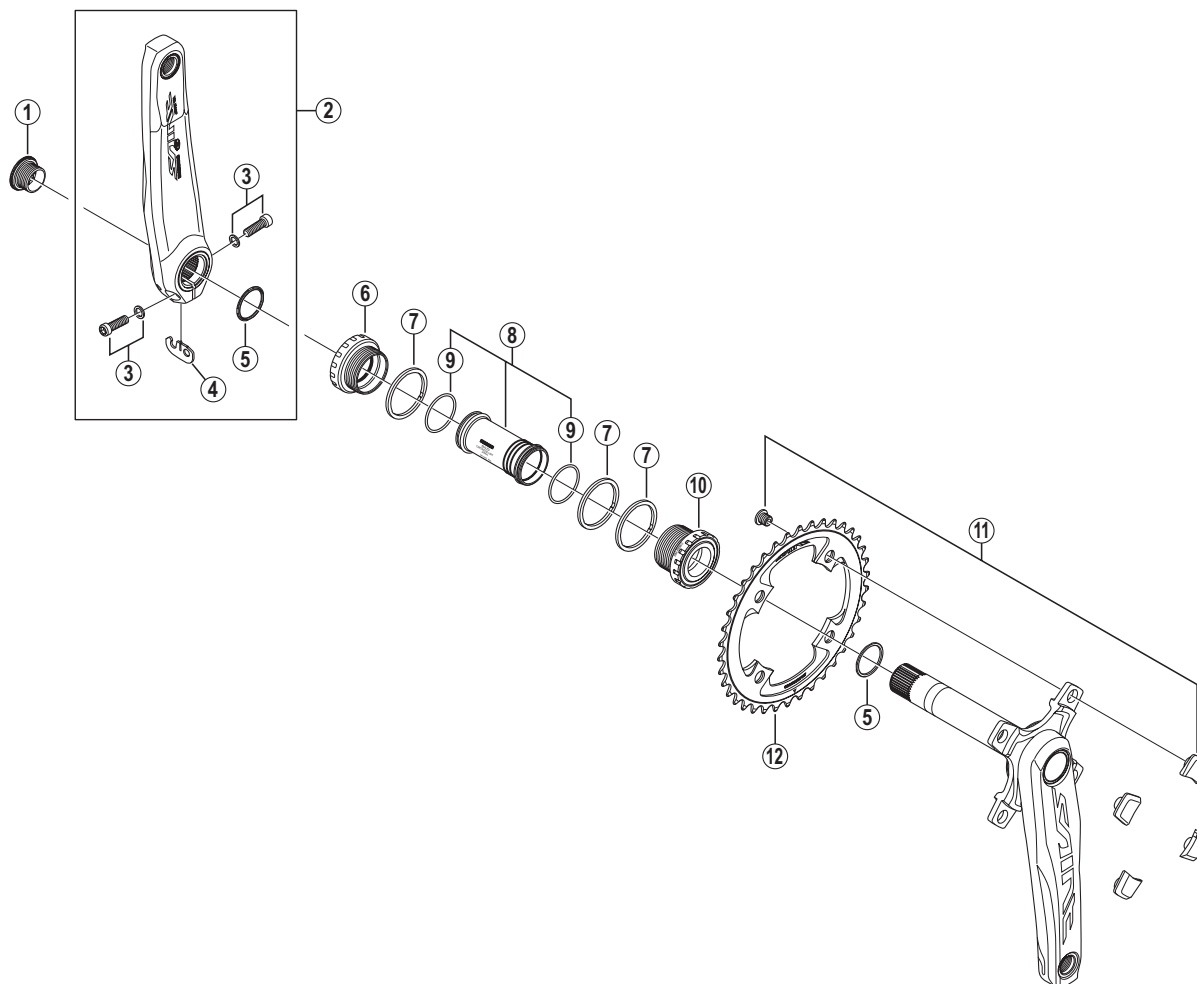


SAINT Front Chainwheel

FC-M825

SM-CR82



• Bolt circle diameter: 104 mm

ITEM NO.	SHIMANO CODE NO.	DESCRIPTION	INTERCHANGEABILITY	
			FC-M815	FC-M645
1	Y1KK13000	Crank Arm Fixing Bolt	A	
2	Y1N598010	Left Hand Crank Arm 165 mm	B	
	Y1N598020	Left Hand Crank Arm 170 mm	B	
	Y1N598030	Left Hand Crank Arm 175 mm	B	
3	Y1HS98060	Clamp Bolt (M6 x 19) & Washer	B	B
4	Y1KK98040	Plate	A	
5	Y1F316000	Ring	A	A
6	Y1KK98060	Left Hand Adapter (B.C.1.37" x 24T) English Thread (SM-BB80)	A	B
7	Y1F813000	Spacer (2.5 mm)	A	A
8	Y1KM98020	Inner Cover & O-Ring	A	
9	Y1TF21000	O-Ring	A	A
10	Y1KK98080	Right Hand Adapter (B.C.1.37" x 24T) English Thread (SM-BB80)	A	
11	Y1N598040	Gear Fixing Bolt (M8 x 7) & Nut (4 sets)	B	
12	ISMCR82A4	Chainring 34T (Black)	B	B
	ISMCR82A6	Chainring 36T (Black)	B	B
	ISMCR82A8	Chainring 38T (Black)	B	B

A: Same parts.

B: Parts are usable, but differ in materials, appearance, finish, size, etc.

Absence of mark indicates non-interchangeability.

Mar.-2012-3385

© Shimano Inc. I

Specifications are subject to change without notice.

SHIMANO