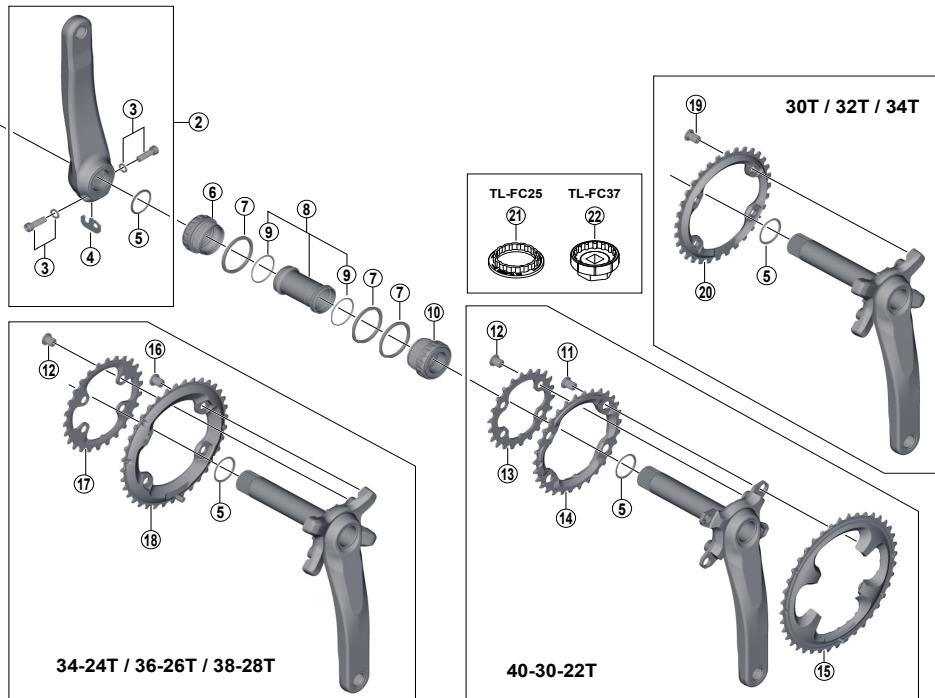


DEORE XT Crankset

FC-M8000 FC-M8000-B1/B2
BB-MT800 SM-CRM80/CRM81



- Chaining teeth combinations: 40-30-22T / 38-28T / 36-26T / 34-24T / 34T / 32T / 30T
- Bolt circle diameter: 96 mm...(For outer gear and middle gear), 64 mm...(For inner gear)

FC-M9000
 FC-M9020
 FC-M780
 FC-M782
 FC-M785

ITEM NO.	SHIMANO CODE NO.	DESCRIPTION	INTERCHANGEABILITY				
			FC-M9000	FC-M9020	FC-M780	FC-M782	FC-M785
1	Y1F811100	Crank Arm Fixing Bolt	B	B	A	A	A
2	Y1RL98010	Left Hand Crank Arm Unit 165 mm			B	B	B
	Y1RL98020	Left Hand Crank Arm Unit 170 mm			B	B	B
	Y1RL98030	Left Hand Crank Arm Unit 175 mm			B	B	B
	Y1RL98040	Left Hand Crank Arm Unit 180 mm			B	B	B
3	Y1KS98030	Clamp Bolt (M6 x 19) & Washer			A	A	A
4	Y1FU98120	Plate			A	A	A
5	Y1F316000	Ring	A	A	A	A	A
6	Y1V698010	Left Hand Adapter (B.C.1.37" x 24T) English Thread (BB-MT800)	B	B	B	B	B
7	Y1F813000	Spacer (2.5 mm)			A	A	A
8	Y1E598210	Inner Cover & O-Ring	B	B	A	A	A
9	Y1TF21000	O-Ring	A	A	A	A	A
10	Y1V698020	Right Hand Adapter (B.C.1.37" x 24T) English Thread (BB-MT800)	B	B	B	B	B
11	Y1H598160	Gear Fixing Bolt (M8 x 10.1 / 1 Unit = 4 pcs.)				A	
12	Y1NV98040	Inner Gear Fixing Bolt (M8 x 8.5 / 1 Unit = 4 pcs.)			A	A	A
13	Y1RL22000	Chainring 22T-BA for 40-30-22T					
14	Y1RL98110	Chainring 30T-BA for 40-30-22T					
15	Y1RL98050	Chainring 40T-BA for 40-30-22T					
17	Y1RL98060	Gear Fixing Bolt (M8 x 9 / 1 Unit = 4 pcs.)					
	Y1RL24000	Chainring 24T-BB for 34-24T					
	Y1RL26000	Chainring 26T-BC for 36-26T					
18	Y1RL28000	Chainring 28T-BD for 38-28T					
	Y1RL98070	Chainring 34T-BB for 34-24T					
	Y1RL98080	Chainring 36T-BC for 36-26T					
	Y1RL98090	Chainring 38T-BD for 38-28T					
19	Y1RL98100	Gear Fixing Bolt (M8 x 11.4 / 1 Unit = 4 pcs.)					
	ISMCRM80A0	Chainring 30T (SM-CRM80)					
	ISMCRM80A2	Chainring 32T (SM-CRM80)					
	ISMCRM80A4	Chainring 34T (SM-CRM80)					
	ISMCRM81A0	Chainring 30T (SM-CRM81)					
	ISMCRM81A2	Chainring 32T (SM-CRM81)					
21	Y13009260	TL-FC25 Adapter Installation Tool					
22	Y13009270	TL-FC37 Adapter Installation Tool					

A: Same parts.

B: Parts are usable, but differ in materials, appearance, finish, size, etc.

Absence of mark indicates non-interchangeability.

Specifications are subject to change without notice.

Mar.-2016-3849A

© Shimano Inc. I

SHIMANO