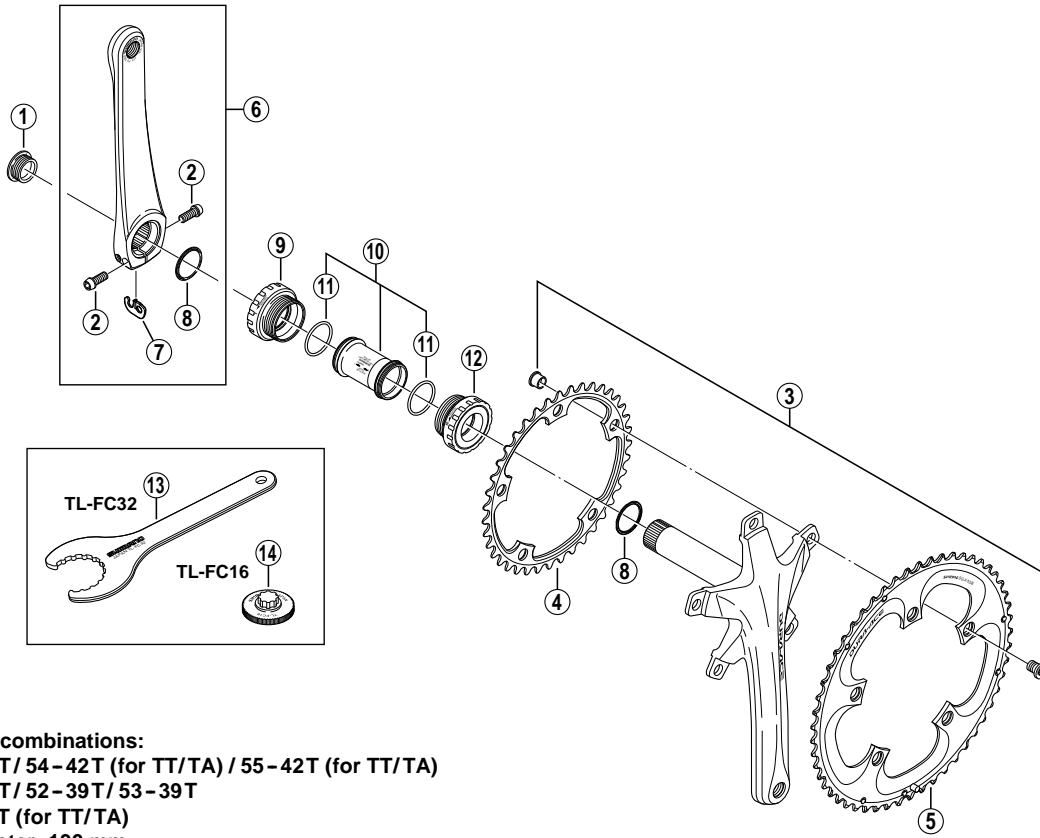


DURA-ACE Front Chainwheel FC-7800



- **Chaining teeth combinations:**
A-Type...53-42T / 54-42T (for TT/TA) / 55-42T (for TT/TA)
B-Type...50-39T / 52-39T / 53-39T
E-Type...56-44T (for TT/TA)
- **Bolt circle diameter: 130 mm**

ITEM NO.	SHIMANO CODE NO.	DESCRIPTION
1	Y-1F3 08000	Crank Arm Fixing Bolt
2	Y-1E5 12100	Clamp Bolt (M6 x 15)
3	Y-1F3 98050	Gear Fixing Bolt (M8 x 9.1) & Nut (5 sets)
4	Y-1F3 39000	Chainring 39T (B-Type)
	Y-1F3 42000	Chainring 42T (A-Type)
	Y-1F3 44000	Chainring 44T (E-Type: for TT/TA)
	Y-1F3 98010	Chainring 50T (B-Type)
5	Y-1F3 98020	Chainring 52T (B-Type)
	Y-1F3 98030	Chainring 53T (B-Type)
	Y-1F3 98040	Chainring 53T (A-Type)
	Y-1F3 98250	Chainring 54T (A-Type: for TT/TA)
	Y-1F3 98260	Chainring 55T (A-Type: for TT/TA)
6	Y-1F3 98270	Chainring 56T (E-Type: for TT/TA)
	Y-1G5 98010	Left Hand Crank Arm 165 mm
	Y-1G5 98020	Left Hand Crank Arm 167.5 mm
	Y-1G5 98030	Left Hand Crank Arm 170 mm
	Y-1G5 98040	Left Hand Crank Arm 172.5 mm
	Y-1G5 98050	Left Hand Crank Arm 175 mm
	Y-1G5 98060	Left Hand Crank Arm 177.5 mm
7	Y-1G5 98070	Left Hand Crank Arm 180 mm
7	Y-1GE98050	Plate
8	Y-1F3 16000	Ring
9	Y-1F3 98200	Left Hand Adapter (B.C.1.37" x 24T) English Thread
	Y-1F3 98210	Left Hand Adapter (M36 x 24T) Italian Thread
* 10	Y-1F3 98220	Inner Cover & O-Ring
11	Y-1TF 21000	O-Ring
	Y-1F3 98230	Right Hand Adapter (B.C.1.37" x 24T) English Thread
12	Y-1F3 98240	Right Hand Adapter (M36 x 24T) Italian Thread
	13	Y-130 09210
14	Y-130 09220	TL-FC16 Crank Arm Installation Tool

0508-2251E