

E6000 Series Drive Unit

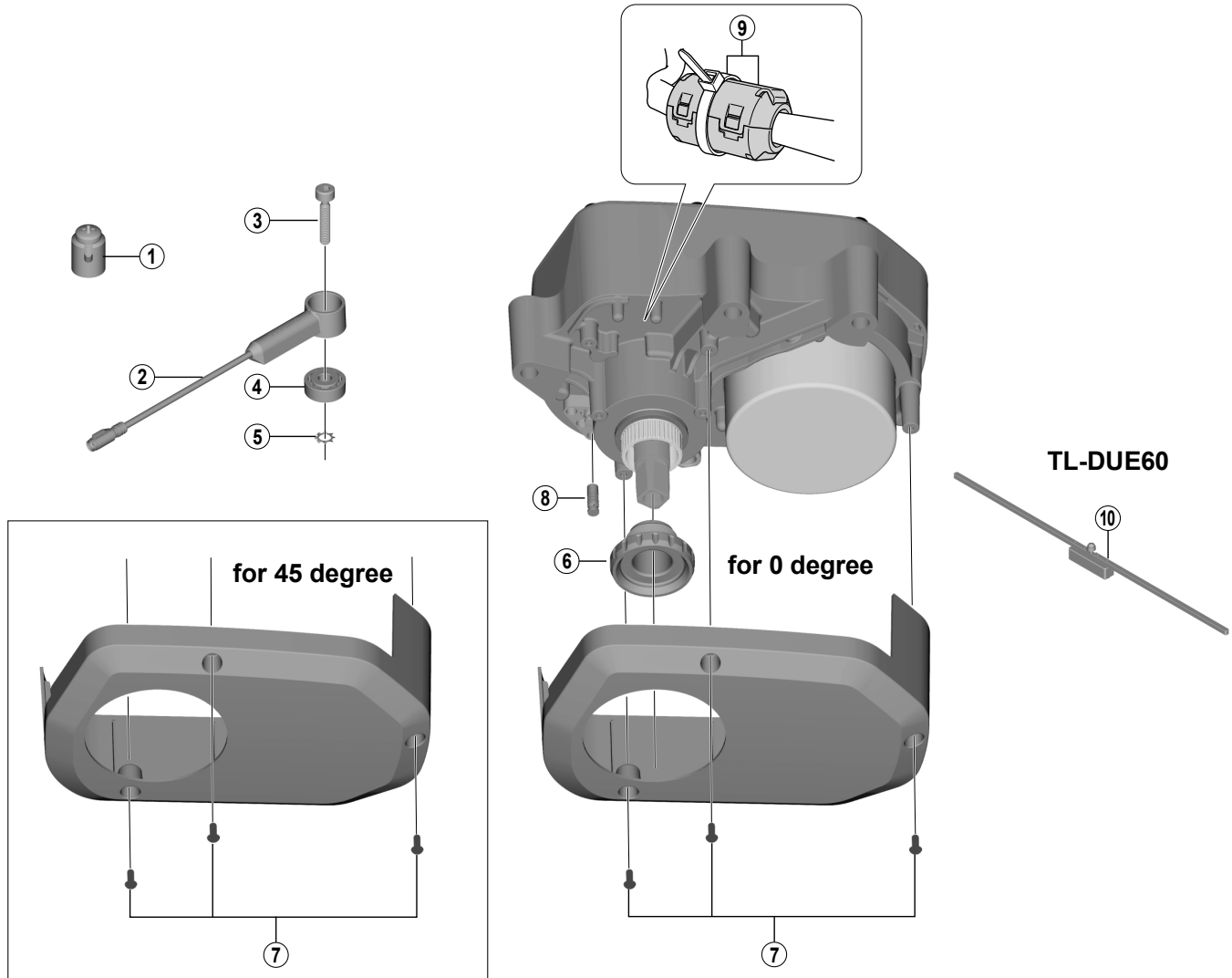
DU-E6000 Drive Unit with Cover

DU-E6001 Drive Unit

DU-E6010 Drive Unit

DU-E6050 Drive Unit

SM-DUE60 0 degree/45 degree Drive Unit Cover



ITEM NO.	SHIMANO CODE NO.	DESCRIPTION
1	Y70L98010	Magnet Unit
2	Y70L98020	Speed Sensor
3	Y70L000G0	Speed Sensor Fixing Bolt L16 (4 mm Hexagon Head)
	Y70L000U0	Speed Sensor Fixing Bolt L22 (4 mm Hexagon Head)
4	Y70L000F0	Spacer
5	Y70L000M0	Toothed Washer
6	Y70L00010	Lock Ring
7	Y70L98030	Fixing Bolts (M3 x 8) set for SM-DUE60 0 degree and 45 degree
8	Y6VE15000	Dummy Plug
9	Y70L98040	Ferrite Core & Zip Tie
10	YEZY00002	Chain tension measurement tool TL-DUE60

A: Same parts.

B: Parts are usable, but differ in materials, appearance, finish, size, etc.

Absence of mark indicates non-interchangeability.

Specifications are subject to change without notice.

Jun.-2016-3761F

© Shimano Inc. I

SHIMANO