

SHIMANO

SHIMANO EUROPA

Industrieweg 24 NL-8071 CT Nunspeet, Holland
Phone 31-3412-72222

SHIMANO AMERICAN CORPORATION

One Shimano Drive, P.O. Box 19615, Irvine,
California U.S.A. 92623-9615 Phone 714-951-5003

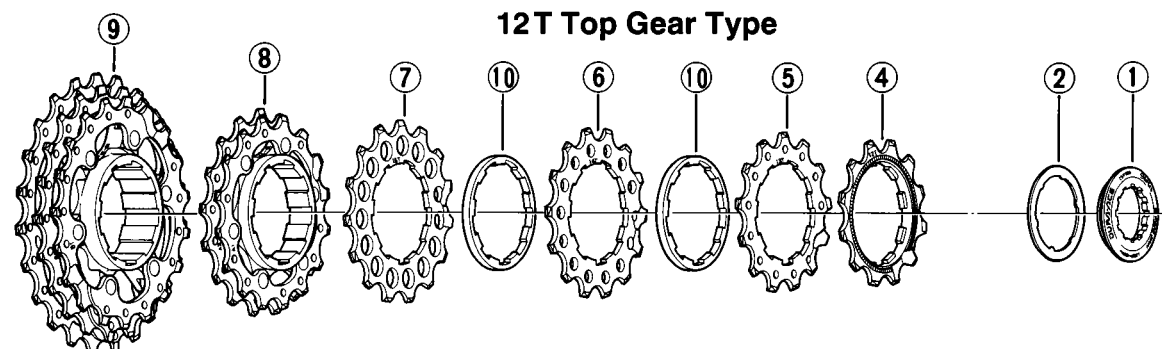
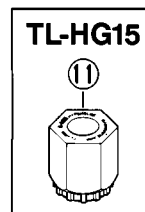
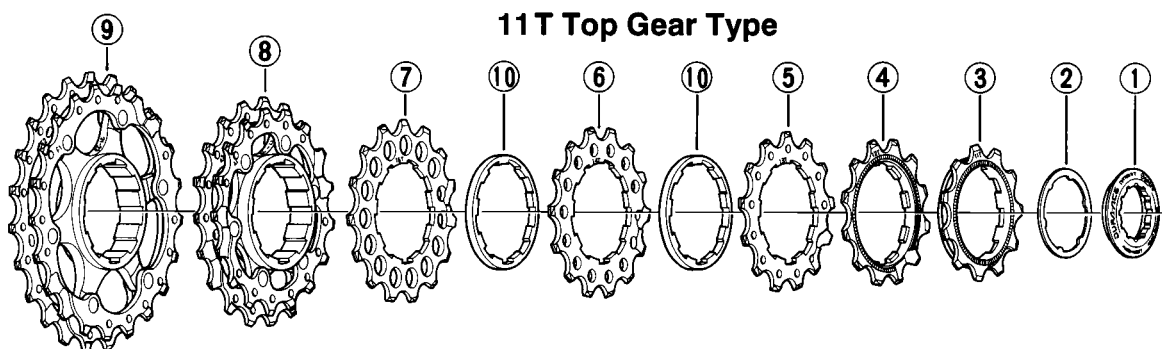
Small parts list for after market.

- You may photocopy this sheet and use it as an order form.
- Sie können dieses Blatt kopieren und als Bestellformular verwenden.
- Vous pouvez photocopier cette feuille et l'utiliser comme bon de commande.
- Dit blad kan gecopieerd en als bestelformulier gebruikt worden.
- Potete fotocopiare questo foglio e usarlo come modulo di commissione.

DURA-ACE Cassette Sprocket CS-7700 9-Speed

CS-7700 sprocket teeth combinations

11 - 21T	11 - 12 - 13 - 14 - 15 - 16 - 17 - 19 - 21 T
11 - 23T	11 - 12 - 13 - 14 - 15 - 17 - 19 - 21 - 23 T
12 - 21T	12 - 13 - 14 - 15 - 16 - 17 - 18 - 19 - 21 T
12 - 23T	12 - 13 - 14 - 15 - 16 - 17 - 19 - 21 - 23 T
12 - 25T	12 - 13 - 14 - 15 - 17 - 19 - 21 - 23 - 25 T
12 - 27T	12 - 13 - 14 - 15 - 17 - 19 - 21 - 24 - 27 T



QTY	ITEM NO.	SHIMANO CODE NO.	DESCRIPTION
	1	10R 0400	Lock Ring for 11T Top Gear
		10R 0401	Lock Ring for 12T Top Gear
	2	10Z 0400	Lock Ring Spacer for 11T Top Gear
		11W0200	Lock Ring Spacer for 12T Top Gear
	3	10R 1100-D	Sprocket Wheel 11T (Built in spacer type)
	4	10R 1200-D	Sprocket Wheel 12T (Built in spacer type)
	5	10R 1300-D	Sprocket Wheel 13T
	6	10R 1400-D	Sprocket Wheel 14T
	7	10R 1500-D	Sprocket Wheel 15T
	8	10R 9801	Sprocket Unit (16 - 17T)
		10R 9802	Sprocket Unit (17 - 19T)
		10R 9803	Sprocket Unit (19 - 21T)
		10R 9804	Sprocket Unit (21 - 23T)
	9	10R 9805	Sprocket Unit (18 - 19 - 21T)
		10R 9806	Sprocket Unit (19 - 21 - 23T)
		10R 9807	Sprocket Unit (21 - 23 - 25T)
	*	10R 9808	Sprocket Unit (21 - 24 - 27T)
	10	10R 0300	Sprocket Spacer (t=2.56 mm)
	11	120 0918	Lock Ring Removal Tool (TL-HG15)