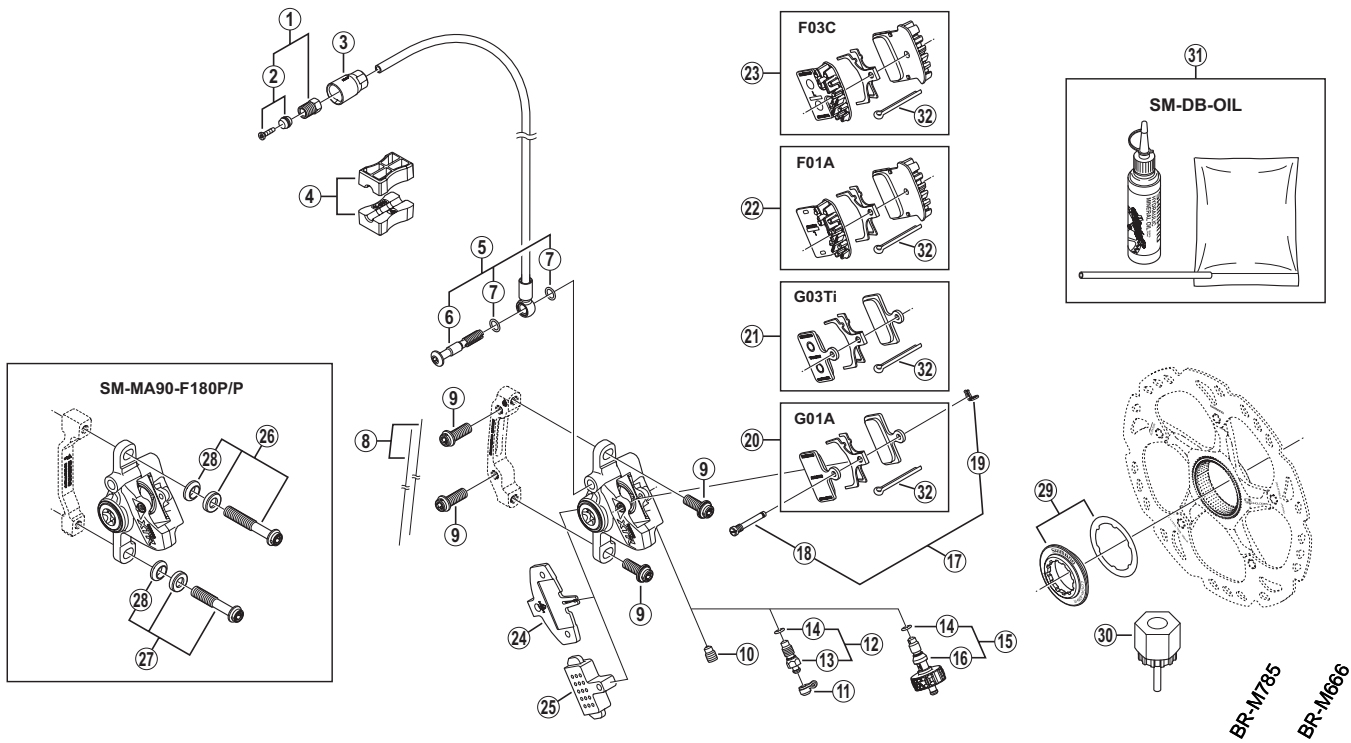


XTR Front Disc Brake

**BR-M985** Brake Caliper  
**SM-RT98** Disc Rotor

**SM-BH90-SB** Brake Hose



ITEM NO.	SHIMANO CODE NO.	DESCRIPTION	INTERCHANGEABILITY
1	Y8JA98010	Connecting Bolt Unit	A A
2	Y8JA98020	Olive & Connector Insert	A A
3	Y8JA07000	Cover	A A
4	Y8H198030	TL-BH61 Special Tool (2 pcs.)	A A
5	Y8JA98030	Banjo Bolt & O-Ring	A A
6	Y8JA04000	Banjo Bolt	A A
7	Y8SY28000	O-Ring	A A
8	Y8B298010	Wire (2 pcs.)	
9	Y8J721000	Caliper Fixing Bolt (M6 x 15.2)	
10	Y8C506100	Bleed Screw	
11	Y8B214000	Bleed Nipple Cap	A A
12	Y8CL98050	Bleed Nipple & Seal Ring	A A
13	Y8CL24000	Bleed Nipple	A A
14	Y8B511001	O-Ring for Bleed Nipple	A A
15	Y8J798050	TL-BR52 Bleed Adapter & O-Ring	
16	Y8J724000	TL-BR52 Bleed Adapter	
17	Y8J798060	Pad Axle & Snap Retainer	
18	Y8J710000	Pad Axle	
19	Y8J716000	Snap Retainer	A
20	Y8J79803A	Resin Pad (G01A) & Spring w/Split Pin	A B
21	Y8J79804A	Metal Pad (G03Ti) & Spring w/Split Pin	B B
22	Y8J79801A	Resin Pad (F01A) w/Fin & Spring w/Split Pin	A A
23	Y8J79802A	Metal Pad (F03C) w/Fin & Spring w/Split Pin	A A
24	Y8J709000	Pad Spacer	A A
25	Y8J712000	Bleeding Spacer	A A
* 26	Y8LF98040	Caliper Fixing Bolt Unit (M6 x 36.3)	
* 27	Y8LF98050	Caliper Fixing Bolt Unit (M6 x 30.5)	
* 28	Y8LF12000	R-Washer A	
29	Y8J998010	Lock Ring & Washer	B B
30	Y12009230	TL-LR15 Lock Ring Removal Tool	A A
31	Y83998010	Mineral Oil Bleed Kit (50 ml)	A A
32	Y8DB06100	Split Pin	A

A: Same parts.

B: Parts are usable, but differ in materials, appearance, finish, size, etc.

Absence of mark indicates non-interchangeability.

Nov.-2013-3075B

© Shimano Inc. I

Specifications are subject to change without notice.

**SHIMANO**