

SHIMANO ZEE Front Disc Brake

BR-M640 Brake Caliper

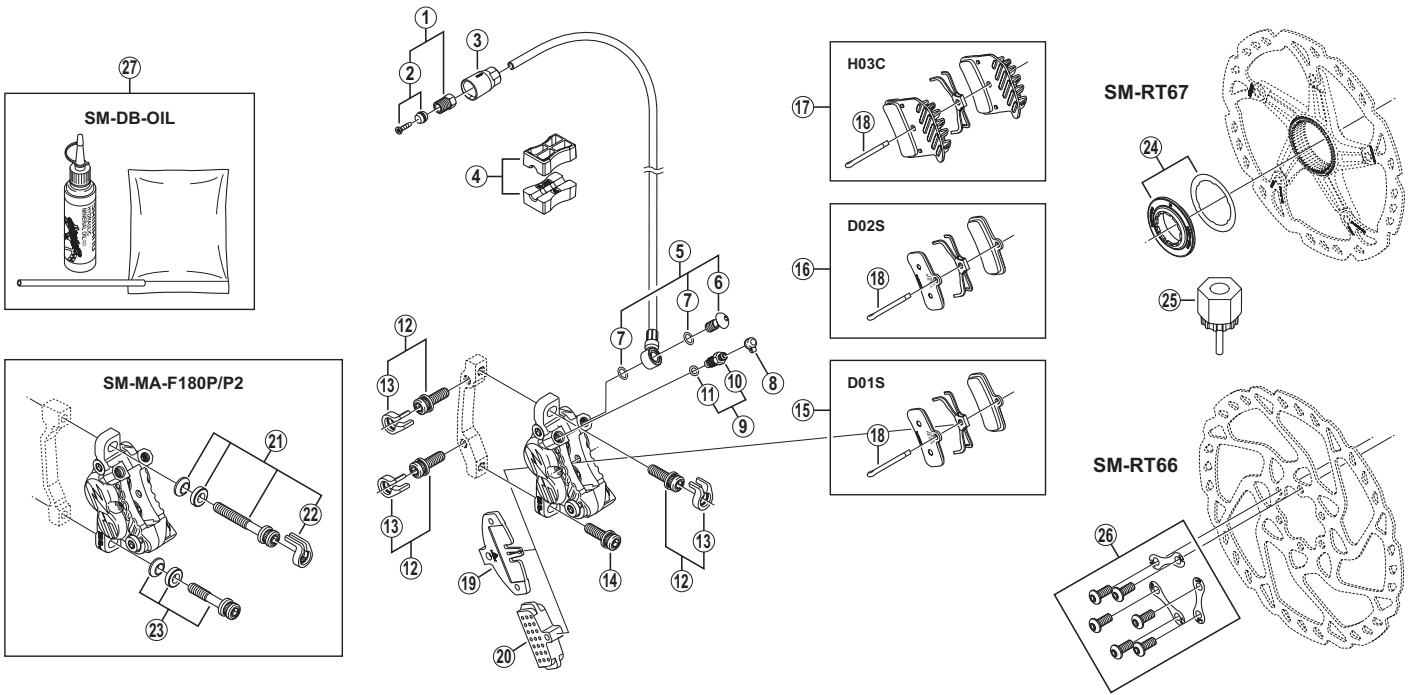
SM-BH90-SBS Brake Hose

SM-RT67 Disc Rotor/Center Lock

Disc Rotor/Center Lock

SM-RT66 Disc Rotor/6-Bolt

Disc Rotor/6-Bolt



ITEM NO.	SHIMANO CODE NO.	DESCRIPTION	INTERCHANGEABILITY
1	Y8JA98010	Connecting Bolt Unit	A
2	Y8JA98020	Olive & Connector Insert	A
3	Y8JA07000	Cover	A
4	Y8H198030	TL-BH61 Special Tool (2 pcs.)	A
5	Y8H098010	Banjo Bolt & O-Ring	A
6	Y8H001500	Banjo Bolt	A
7	Y8SY28000	O-Ring	A
8	Y8B214000	Bleed Nipple Cap	A
9	Y8CL98050	Bleed Nipple & Seal Ring	A
10	Y8CL24000	Bleed Nipple	A
11	Y8B511001	O-Ring for Bleed Nipple	A
12	Y8DS98010	Adapter Fixing Bolt (M6 x 18.7) & Stop Ring	A
13	Y8C511000	Snap Ring	A
14	Y8C509020	Adapter Fixing Bolt (M6 x 18.7) for Stop Ring Type	A
15	Y8FF98020	Resin Pad (D01S) & Spring w/Split Pin	A
16	Y8FF98010	Metal Pad (D02S) & Spring w/Split Pin	B
17	Y8VT98020	Metal Pad (H03C) w/Fin & Spring w/Split Pin	B
18	Y8DB06100	Split Pin	A
19	Y8FF18000	Pad Spacer	
20	Y8FF19000	Bleeding Spacer	A
21	Y8G498020	Caliper Fixing Bolt Unit (M6 x 37.9)	A
22	Y81703000	Snap Ring	A
23	Y8G498030	Caliper Fixing Bolt Unit (M6 x 32.1)	A
24	Y8K998010	Lock Ring & Washer (Standard)	B
	Y8K198010	Lock Ring & Washer (Option)	A
25	Y12009230	TL-LR15 Lock Ring Removal Tool	A
26	Y8KT98010	Rotor Fixing Bolt & Lock Washer	B
27	Y83998010	Mineral Oil Bleed Kit (50 ml)	A

A: Same parts.

B: Parts are usable, but differ in materials, appearance, finish, size, etc.

Absence of mark indicates non-interchangeability.

Apr.-2012-3432

© Shimano Inc. I

Specifications are subject to change without notice.

SHIMANO