

**Warranty Period : 1 year**

(from the date of your purchase)

For more details, read the attached "Minoura Limited Warranty Policy" card.

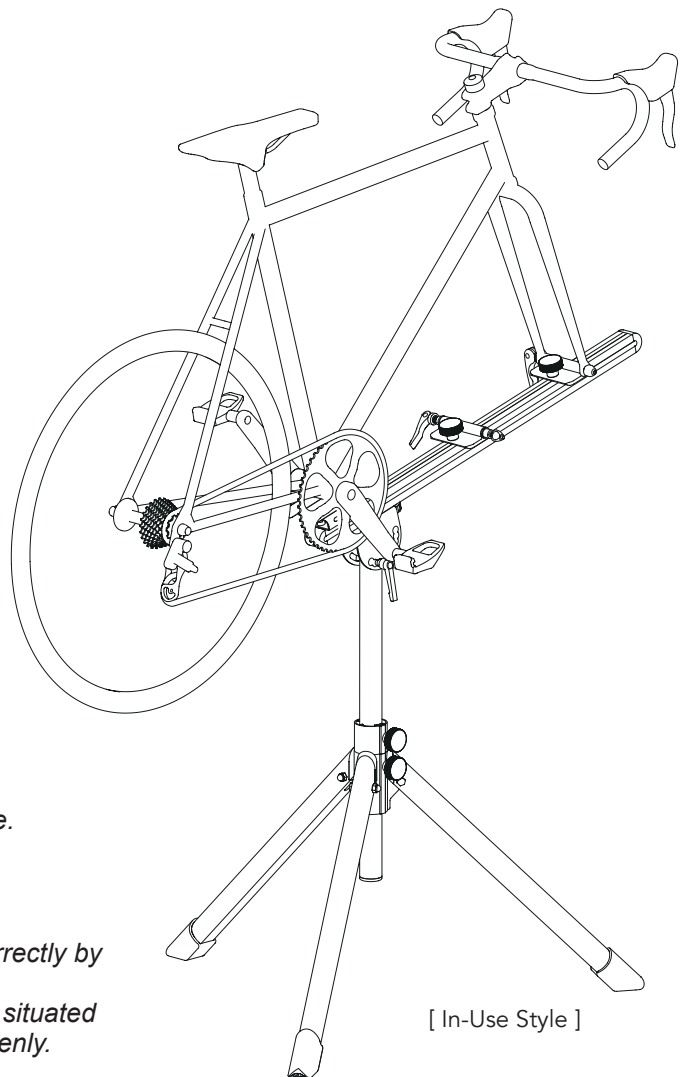
Please refer to our website for any updated information.

**Applicable Frame****Front Fork Width : 100mm**

Hub nut, 9mm Quick release skewer,  
15mm Thru axle

**Rear Frame End Width :**

Hub nut, 9mm Quick release skewer  
120 / 125 / 130 / 135mm  
or  
12mm Thru axle (142mm width only)

**Important Notes**

- *For standard 2-wheel bicycles only.  
Removing the front wheel shifts the balance of the bicycle.  
Due to this, Minoura does not recommend working on tandems or unusually long bicycles on the RS-1800.  
The RS-1800 is for light maintenance work only.*
- *When mounting the bike, maintain the weight balance correctly by adjusting the main arm position.  
Additionally, make sure the heaviest part of the bicycle is situated just above the tripod legs so weight can be distributed evenly.*
- *Use on flat and horizontal floor. Fully open the tripod legs.*
- *Bicycles that can be safely mounted to the RS-1800 are as follows;  
Front fork width is 100mm (plain hub nut, 9mm quick skewer or 15mm thru axle types).  
Rear frame end width is either 120, 125, 130 or 135mm (plain hub nut or 9mm quick skewer type) or 142mm (12mm thru axle type).  
Any other specs such as narrow 74mm fork width usually found on mini-velo bikes or 20mm thru axle on Downhill bikes cannot be mounted.*
- *On any bike with hydraulic disc brake, do NOT grasp the brake lever once you remove the wheel.*
- *When transporting RS-1800, do not just grab the top part (Arm or Pillar) only. It may come off due to the stand weight.  
You must hold the stand frame.*
- *RS-1800 supports the bike at the bottom bracket. RS-1800 is designed to be capable with the battery case of the electric transmission system or derailleur cables located under the bottom bracket, but we cannot guarantee compatibility with all designs.*
- *RS-1800 can be used as the stand for washing bikes because of its unique swivel arm design. But you should dry the stand as quickly as possible after using because some steel parts may rust if it stays wet.*
- *Use the included Velcro strap to securely hold the bike and keep it in the stand.*

**Contact**

If you have any questions or need help, you should contact the dealer where you purchased or the Minoura distributor in your country first. Only when you cannot get enough service, you can contact us.

**MINOURA JAPAN (for ALL customers)**

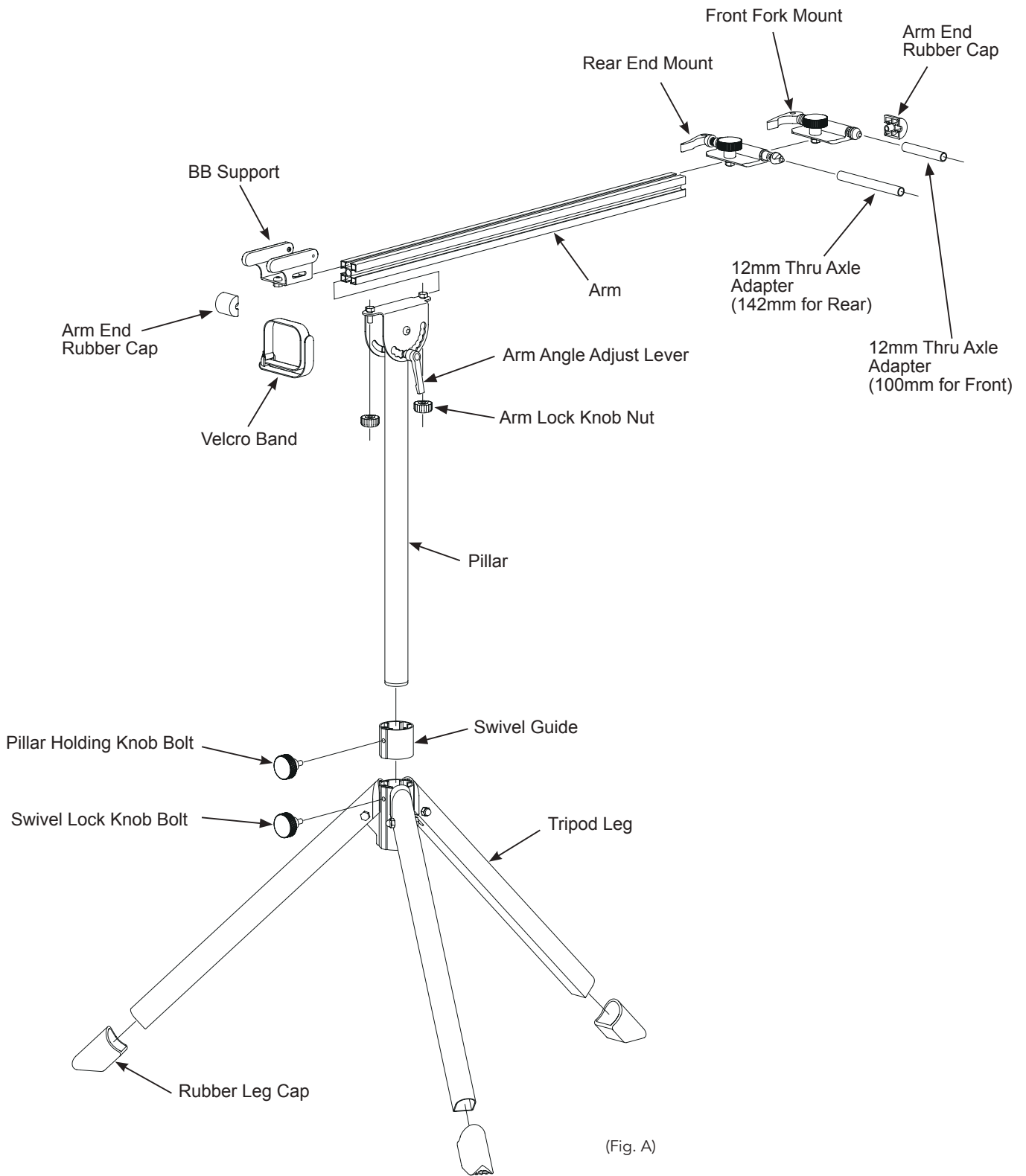
1197-1 Godo, Anpachi, Gifu 503-2305 Japan  
Phone: +81-584-27-3131 / Fax: +81-584-27-7505  
Email: minoura@minoura.jp / Web: www.minoura.jp

**MINOURA North America (for U.S. residents ONLY)**

California, U.S.A.  
Phone: 1-510-538-8599 / Fax: 1-510-538-5899  
Email: support@minourausa.com

Made in Japan

## Schematics



## Top Swivel Mechanism

Loosening the lower Swivel Lock Knob Bolt allows you to swivel the upper part of RS-1800 even while a bike is on it.

This allows you to work on either side of the bike without changing your position. And it's also good for washing the bike.

Loosening the upper pillar bolt may cause the pillar to slide down suddenly. Be careful not to pinch your fingers.

## Prepare To Use

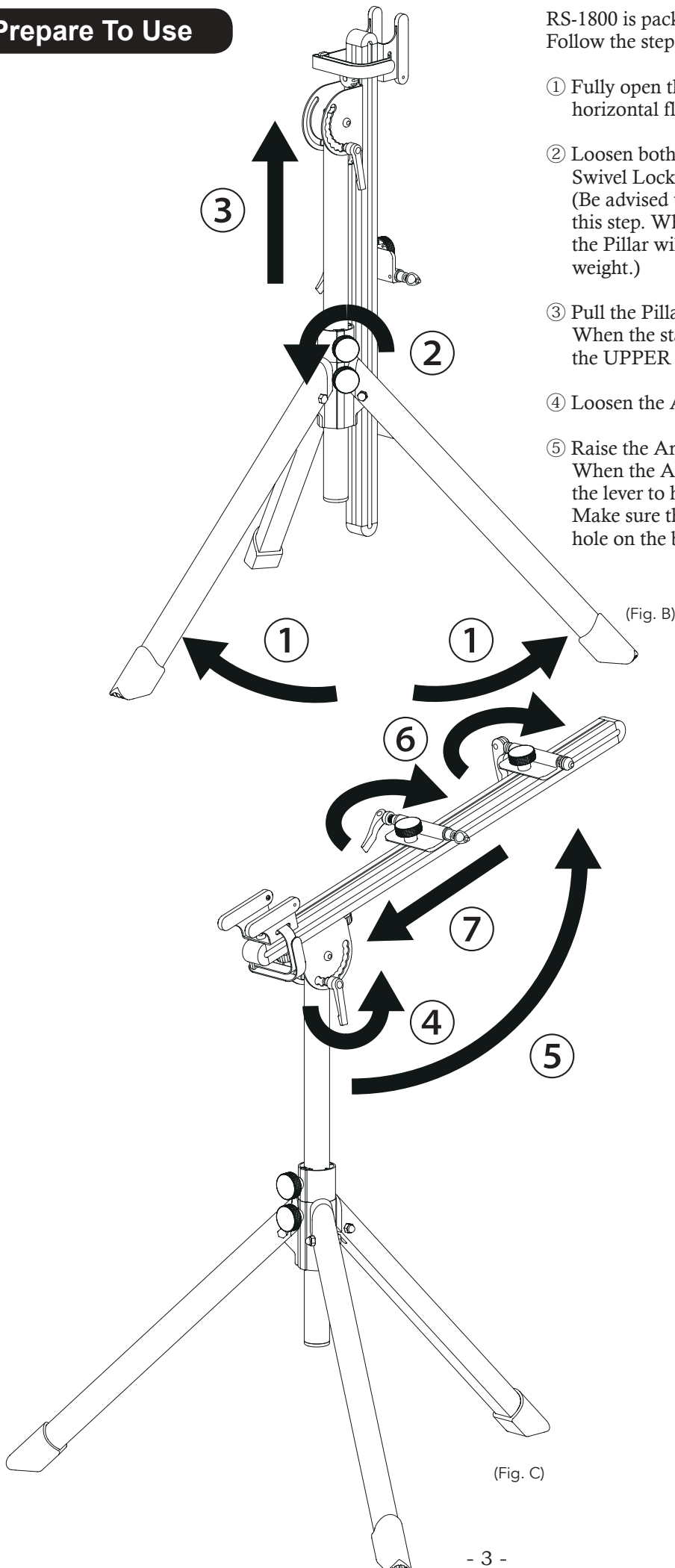
RS-1800 is packed in pre-assembled condition. Follow the steps below to prepare to use the RS-1800.

- ① Fully open the tripod legs and place it on the flat and horizontal floor.
- ② Loosen both the Pillar Holding Knob Bolt and the Swivel Lock Knob Bolt.  
(Be advised that you should grab the Pillar during this step. When you loosen the second knob bolt, the Pillar will suddenly drop down due to its own weight.)
- ③ Pull the Pillar up.  
When the stand reaches the desired height, tighten the UPPER knob bolt only to hold this position.
- ④ Loosen the Arm Angle Adjust Lever.
- ⑤ Raise the Arm up.  
When the Arm reaches to your desired angle, tighten the lever to hold the position.  
Make sure the lever base is securely inserted into the hole on the bracket.

**(TIP:** This lever is designed to be able to change the initial lever angle as you want by pulling and turning the lever itself.)

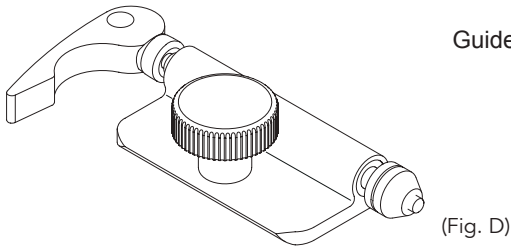
- ⑥ Retract the Front Fork Mount and the Rear End Mount.  
Loosen the knob bolt and turn 90 degrees to set in right position.  
(You will find a bolt head on the back side of the base. This is a guide to keep the fork mount properly positioned. Put the bolt head into the groove of the Arm.)
- ⑦ The Arm is set at the furthest position in the package. This is not the ideal position to support the weight of the bicycle and the stand may fall over if it's unbalanced. Slide the arm back a few inches to maintain the stands balance. Loosen both Arm Lock Knob Nuts (do not remove) and slide the Arm. You can change the Arm position even after mounting the bike. Adjust the Arm position as you can expect maximum stability.

Now the stand is ready for use.



## Front Fork Mount

The quick release skewer on the Front Fork Mount is a specially designed wide stroke type. Usually you need to loosen the skewer nut to remove the front wheel due to the projection on tip of the fork, but this skewer opens wide with just the lever action to make this step easy.

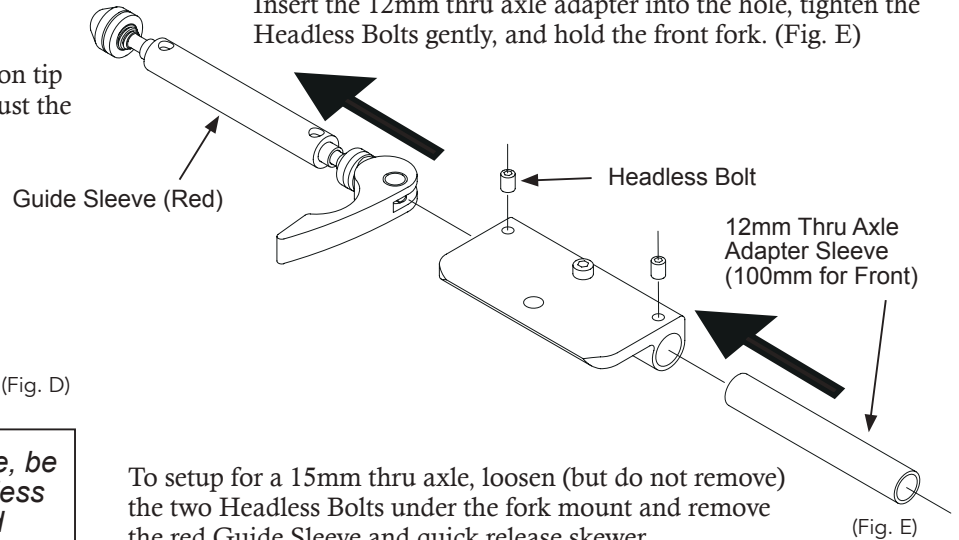


*In the case of a 12mm thru axle, be careful not to tighten the Headless Bolts too much. Doing so could cause the alloy adapter to deform. This will keep you from being able to insert the axle into the adapter. Gently tighten, do not over tighten.*

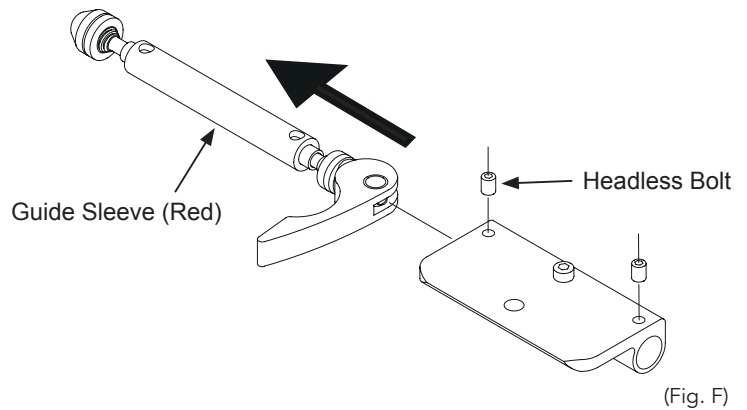


*If the front fork is difficult to set properly in the fork mount, try turning the fork around to see if it will fit better. This can be done for the Rear End Mount also.*

To setup for a 12mm thru axle, loosen (but do not remove) the two Headless Bolts under the fork mount and remove the red Guide Sleeve and quick release skewer. Insert the 12mm thru axle adapter into the hole, tighten the Headless Bolts gently, and hold the front fork. (Fig. E)



To setup for a 15mm thru axle, loosen (but do not remove) the two Headless Bolts under the fork mount and remove the red Guide Sleeve and quick release skewer. Insert the 15mm thru axle of your bicycle into the hole and hold the front fork. (Fig. F)



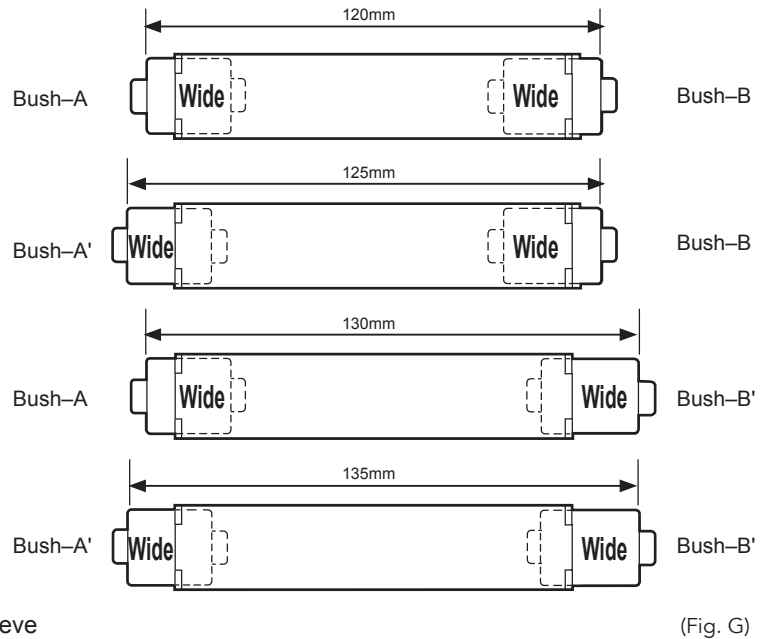
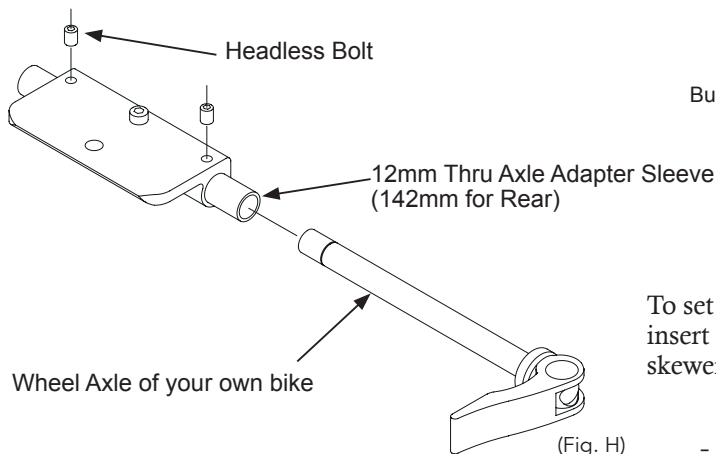
## Rear End Mount

The alloy bush on the Rear End Mount is one side is wider than the other side. By changing the bush insertion combination, this device will fit 4 different sizes (see Fig. G)

The bushes are factory preset to 130mm. To change, loosen the headless bolts underneath the rear end mount, then remove the bush.



*Correctly adjust the adapter length to the rear of your bicycle's frame. Failure to correctly adjust could cause serious damage to your frame.*

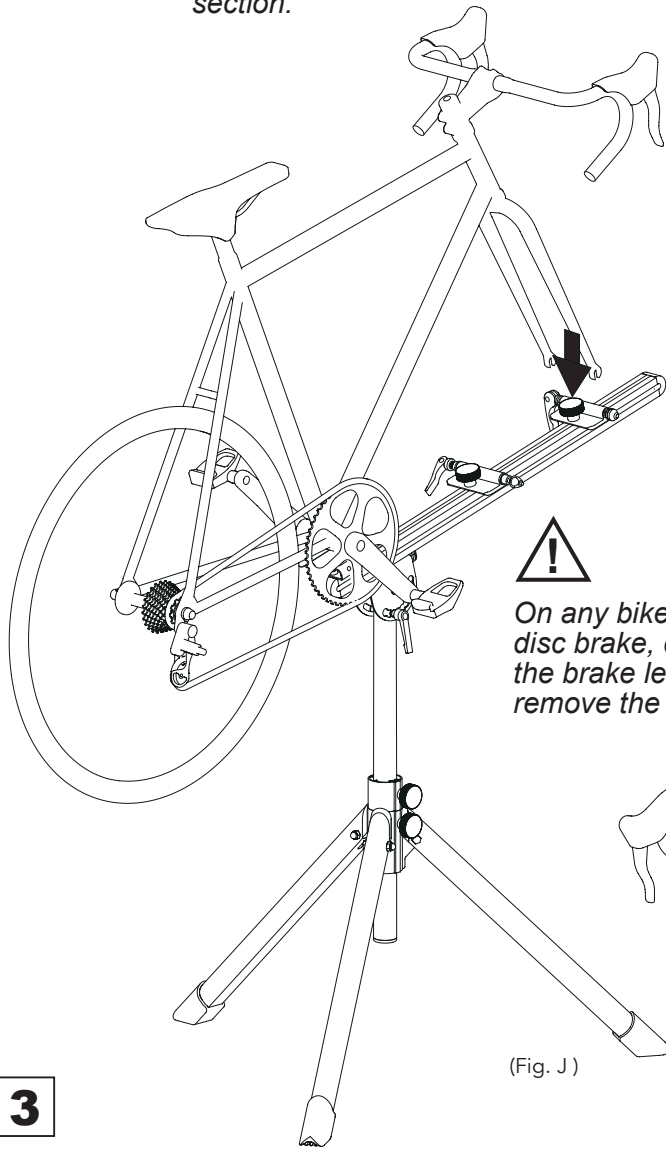
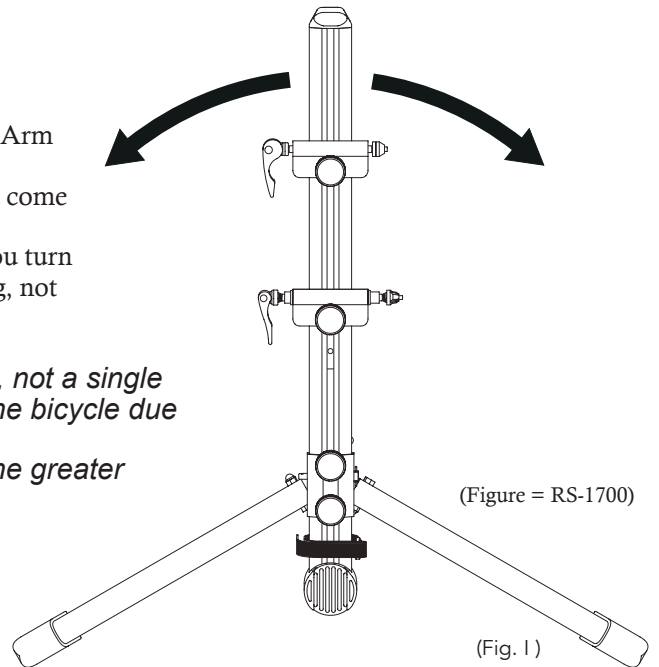


To set the 142mm wide 12mm thru type axle, remove both bushes, insert the supplied adapter sleeve and then set the quick release skewer of your bike.

# Mounting Your Bike Onto RS-1800

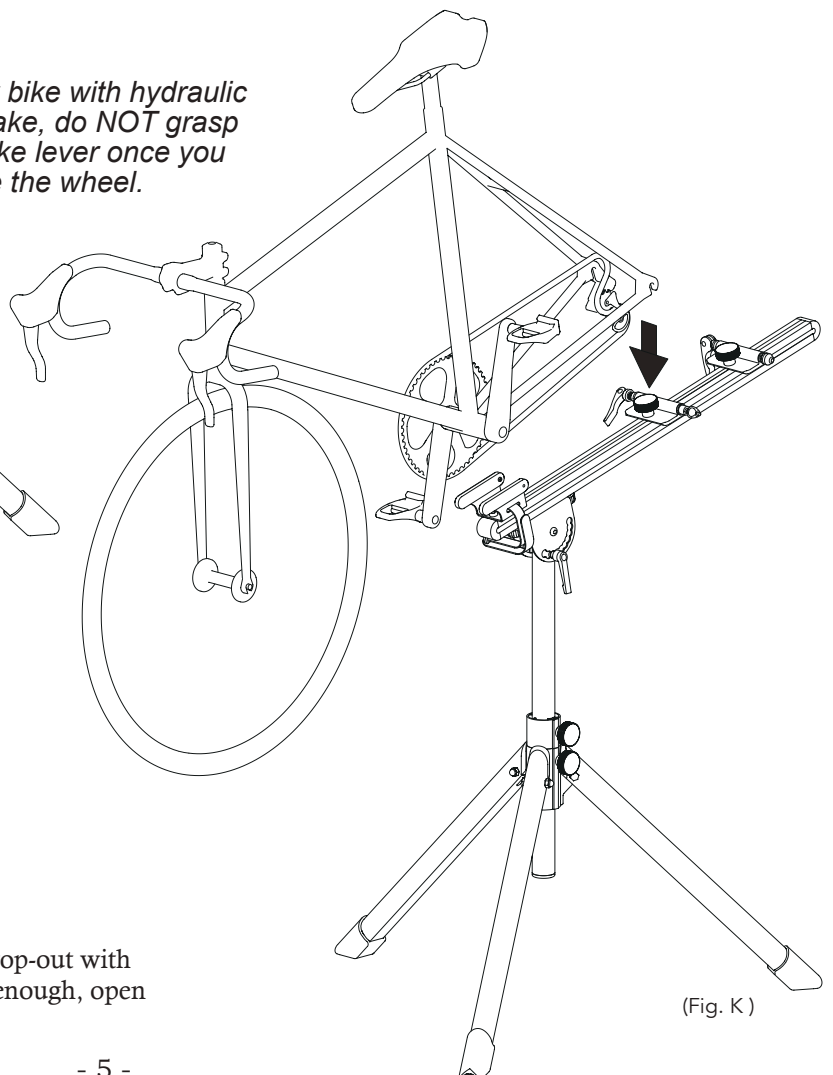
- 1** Loosen the lower Swivel Lock Knob Bolt slightly to allow the Arm to turn freely. Be sure to set the arm angle horizontally so the bicycle doesn't come off the stand when you place your bicycle on the BB Support. Normally the wheel side is heavier than the non-wheel side. You turn and set the Tripod to support the heavier weight by a single leg, not between the V-style two legs. (Fig. I)

**!** *If the heavier weight comes between the legs, not a single leg, the RS-1800 may fall over together with the bicycle due to worse weight balance. Make sure you set a single leg just beneath the greater section.*



- 2** To hold the bike with the front fork, remove the front wheel. Place the bottom bracket on the BB Support and place the front fork end onto the Front Fork Mount gently. If the mount position doesn't fit the bike, loosen the knob bolt and adjust the position. After adjustment, tighten the knob bolt securely. Open the quick release skewer, put the fork end into the mount, then close the lever to clamp the fork. If the tightness is not enough, open the lever and turn the nut a little more. (Fig. J)

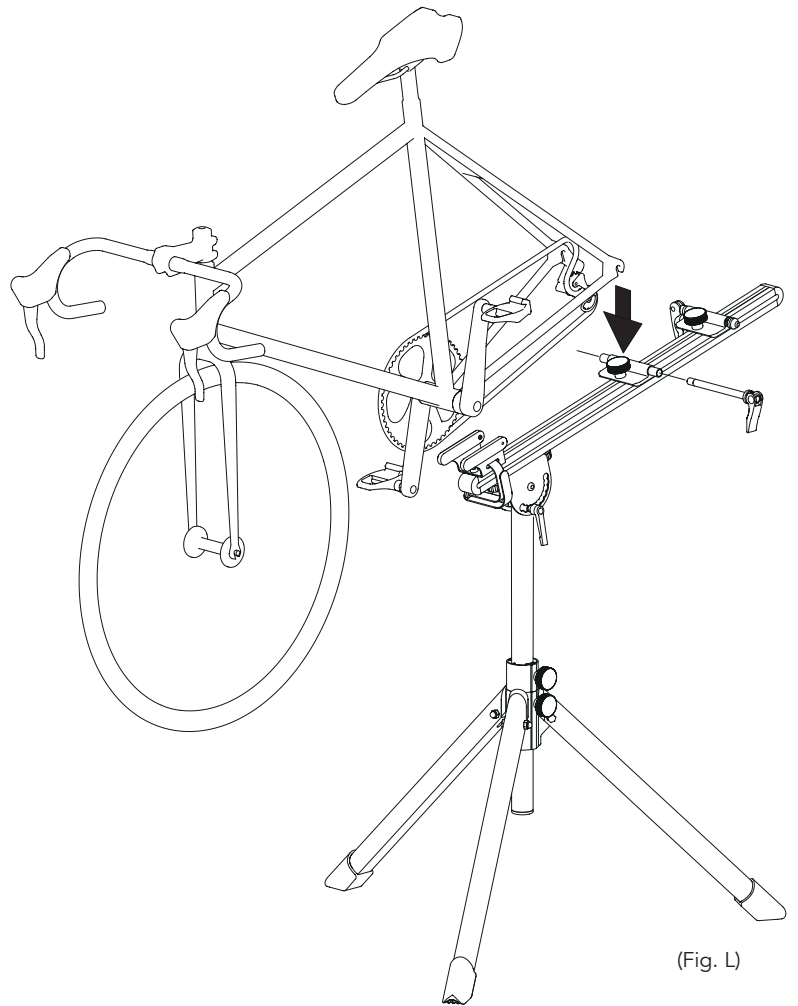
**!** *On any bike with hydraulic disc brake, do NOT grasp the brake lever once you remove the wheel.*



- 3** To hold the bike with the frame end, remove the rear wheel. Make sure the Rear End Mount width is properly adjusted to your bike frame size. Place the bottom bracket on the BB Support, and place the frame end on the Rear End Mount gently. If the mount position doesn't fit the frame size, loosen the knob bolt and adjust the position. After adjustment, tighten the knob bolt securely.

Open the quick release skewer, clamp the frame end drop-out with the skewer, and close the lever. If the tightness is not enough, open the lever and turn the nut a little more. (Fig. K)

In case if 12mm thru axle, align the frame end hole and the thru axle adapter, and insert the 12mm axle of your bike into the holes. (Fig. L)

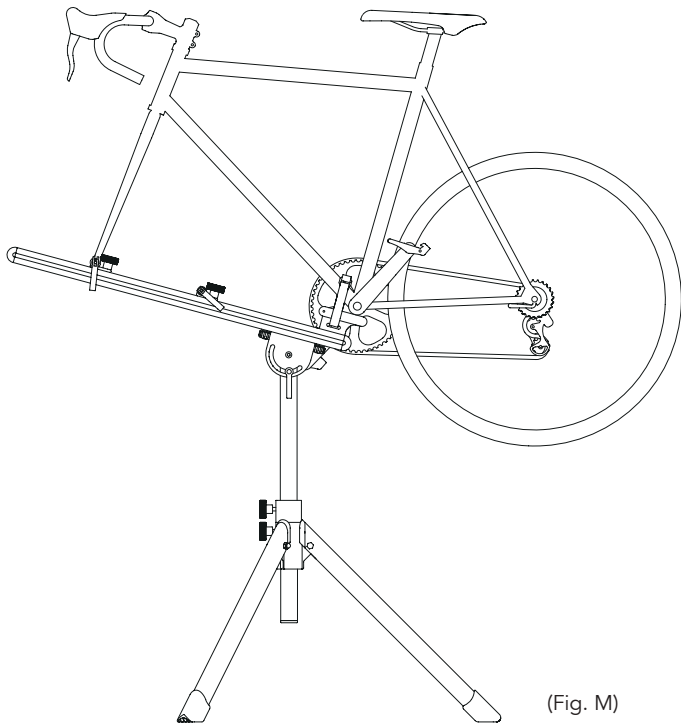


(Fig. L)

**4**

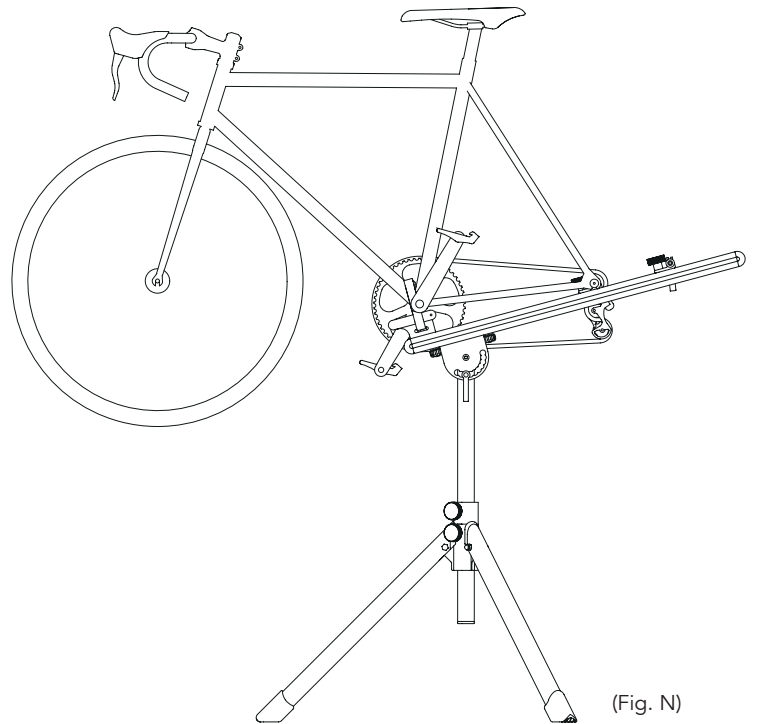
Hold the bike to the arm securely with the supplied Velcro tape.

**When used with Front Fork**



(Fig. M)

**When used on the rear end**



(Fig. N)



*The weight balance of the bicycle without either wheel is not even. Make sure you support the bicycle at its heaviest area with the single leg. Further adjust the balance by sliding the arm back or forth to achieve the right balance.*