

Luggage carriers THULE LAPPLAND 716, 717, 719 and 720

716/1000-15-4 82 x 160 cm

717/1000-15-3 50 x 130 cm

719/1000-15-1 82 x 130 cm

720/1000-15-2 102 x 160 cm

5 *års garanti*
years warranty
Jahre Garantie
ans de garantie

Components:

2 end bars, 4 side sections, 2 bottom sections (717), 3 bottom sections (716, 719) and 4 bottom sections (720). Fastening and assembly kits for fitting to square section load bars or bars with T-tracks.

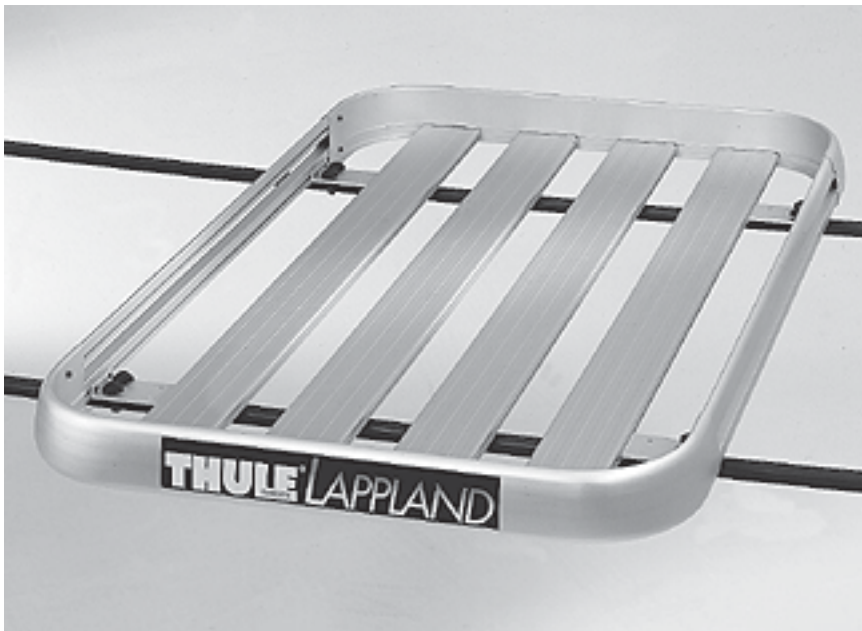
Materials:

Bars and sections in anodized aluminium.

	W	L
716:	82 cm	160 cm
717:	50 cm	130 cm
719:	82 cm	130 cm
720:	102 cm	160 cm

Function:

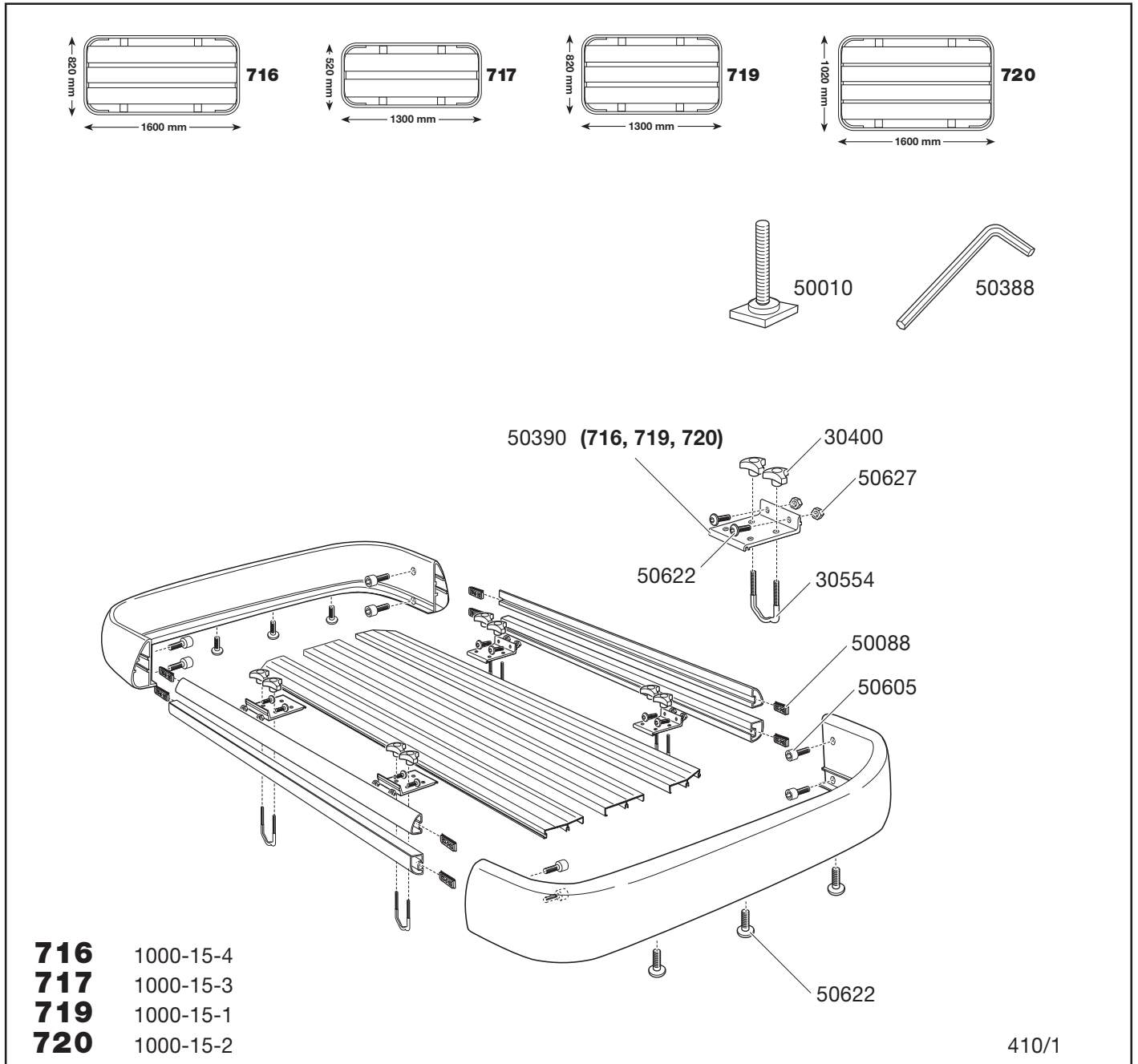
The end bars, side sections and bottom sections screw together. The luggage carrier can then be fitted to a load carrier with square section load bars with brackets and knobs, or to a load carrier with T-track bars with T-screws and knobs.



720

- Fastenings to load carrier adjustable both fore-and aft and side-to-side.
- Can be fitted to either square section load bars or bars with T-tracks.
- Wide, flat bottom sections give flat and even distribution of the load.
- For loads up to 100 kg (always check the vehicle manufacturer's instructions as to maximum permissible load).
- Aluminium bars and sections make for minimum weight and thus increased load capacity.
- Thule load carrier for roof railings (Art.no..410/411/415/755/755-1) can be fitted over the luggage carrier.
- TÜV/GS approved.

Luggage carriers THULE LAPPLAND 716, 717, 719 and 720



Individual box

Pallet

Product	EAN	Kg	L/W/H in cm
716	7313021001547	9,8	157/30/17
717	7313021001530	6,7	127/27/16
719	7313021001516	9,7	127/30/17
720	7313021001523	11,4	157/30/17

Product	Qty/kg	L/W/H in cm
716	12/130	107/80/103
717	15/112	133/80/93
719	12/128	133/86/103
720	12/152	170/80/103