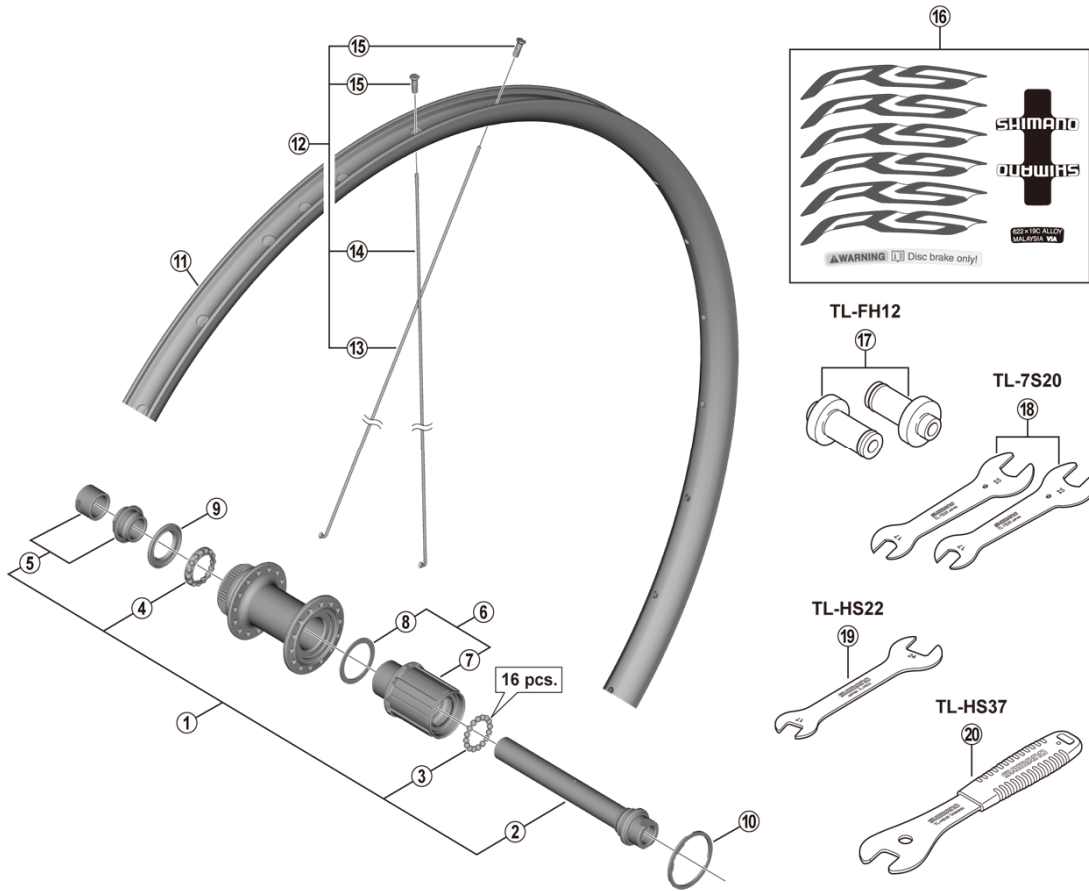


Rear Wheel (10/11-speed)
WH-RS171-CL-R12-700C



• Over Lock Nut Dimension: 142 mm (5-19/32")

ITEM NO.	SHIMANO CODE NO.	DESCRIPTION	INTERCHANGEABILITY	
			WH-RS170-R12	FH-RS470
1	Y3G898010	Complete Hub Axle		A
2	Y3FU98020	Hub Axle		A
3	Y4FE98030	Steel Ball (5/32")	A	A
4	Y0CJ98030	Ball Retainer (5/32")	A	A
5	Y3G898020	Left Hand Lock Nut & Cone w/Dust Cover		A
6	Y3G898030	Complete Freewheel Body		A
7	Y3G898040	Freewheel Body Unit		A
8	Y3CZ12000	SPACER FOR INNER	A	A
9	Y26D10000	Seal Ring	A	A
10	Y4T724000	Low Spacer (1.85 mm)	A	A
11	-	Rim {28H}		
* 12	EWHSPOKEY273M	Spoke Unit {Spoke (290 mm x 14 pcs. / 288 mm x 14 pcs.) / Nipple (28 pcs.)}		
13	Y0H7S1000	Spoke (290 mm)		
14	Y48VS1000	Spoke (288 mm)		
15	Y012Y4341	Nipple	A	
16	Y0H798030	Rim Sticker Unit (Standard)		
	Y0H798040	Rim Sticker Unit (Red)		
	Y0H798050	Rim Sticker Unit (Blue)		
	Y0H798060	Rim Sticker Unit (Orange)		
	Y0H798070	Rim Sticker Unit (Green)		
	Y0H798080	Rim Sticker Unit (Sky Blue)		
	Y0H798090	Rim Sticker Unit (Hi-tech Gray)		
17	Y13098011	TL-FH12 Hub Setting Tool for 12 mm Thru-axle	A	A
18	Y13098900	TL-7S20 Hub Spanner (17 mm x 22 mm) 2 pcs.	A	A
19	Y3C227000	TL-HS22 Hub Spanner (17 mm x 24 mm)	A	A
20	Y23098030	TL-HS37 Hub Spanner 17 mm	A	A

A: Same parts.

B: Parts are usable, but differ in materials, appearance, finish, size, etc.

Absence of mark indicates non-interchangeability.

Specifications are subject to change without notice.

Jan.-2020-4565A

© Shimano Inc. ITP

SHIMANO