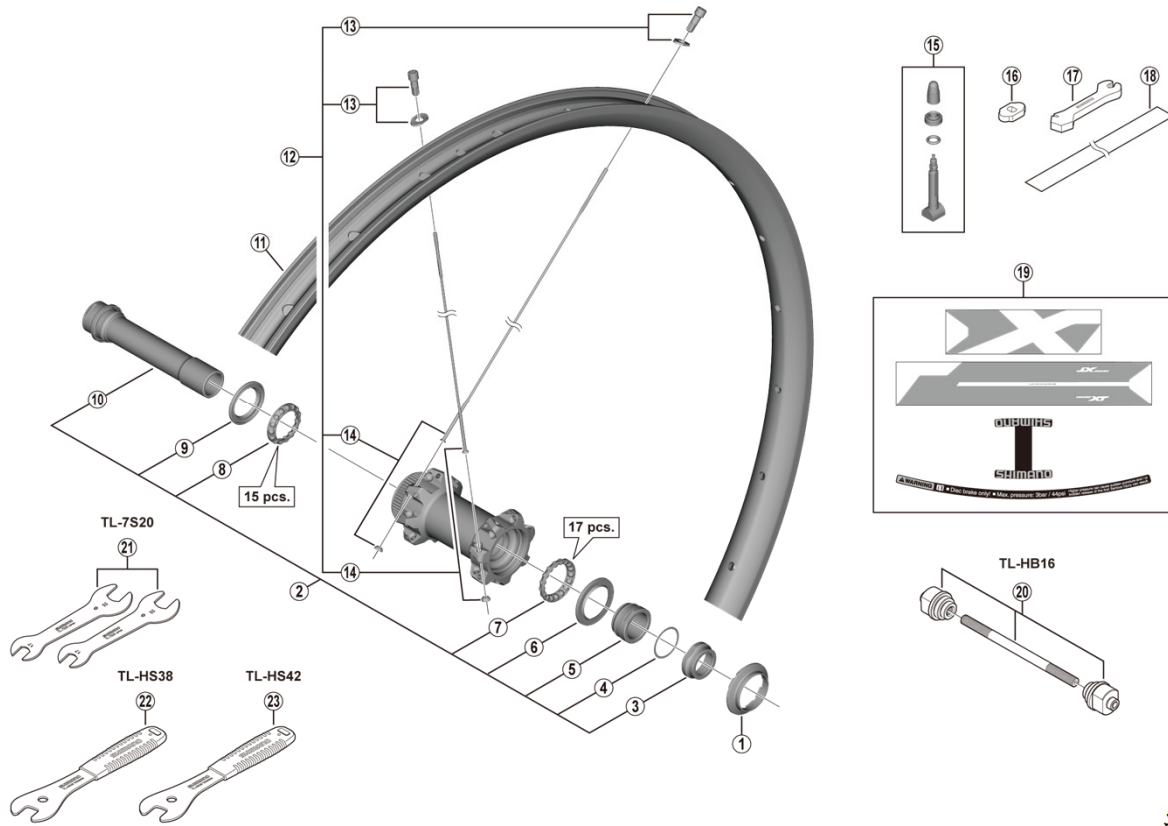


DEORE XT Front Wheel
WH-M8100-TL-F15-B-275 For Disc Brake



• Over Lock Nut Dimension: 110 mm (4-11/32")

ITEM NO.	SHIMANO CODE NO.	DESCRIPTION	INTERCHANGEABILITY	
1	Y27X17000	Cap	A	A
2	Y0CC98010	Complete Hub Axle		A
3	Y2A500050	Right Hand Lock Nut		A
4	Y24613000	Adjusting Washer		A
5	Y24606000	Right Hand Cone		A
6	Y27X15000	Right Hand Seal Ring	A	A
7	Y27X98030	Right Hand Ball Retainer (5/32" x 17)		A
8	Y27X98040	Left Hand Ball Retainer (5/32" x 15)		A
9	Y27X14000	Left Hand Seal Ring		A
10	Y2AH98020	Hub Axle Unit	A	A
11	-	Rim {28H}		A
12	-	Spoke Unit {Spoke (283 mm x 28 pcs.) / Spherical Washer (28 pcs.) / Nipple (28 pcs.) / Rim Washer (28 pcs.)}		
13	Y03X98010	Nipple & Rim Washer		
14	Y0HD98010	Spoke (283 mm) w/Spherical Washer		
15	Y4RJ98020	Valve Unit		
16	Y4RJ10000	Valve Tool		
17	Y4EF28000	Nipple Wrench 4.0		
18	Y48J00010	Tubeless Tape		
19	Y0HD98020	Rim Sticker Unit		
20	Y20W98020	TL-HB16 Hub Setting Tool	A	A
21	Y13098900	TL-7S20 Hub Spanners (17 mm x 22 mm) 2 pcs.	A	A
* 22	Y23098040	TL-HS38 Hub Spanner 18 mm	A	A
* 23	Y23098050	TL-HS42 Hub Spanner 22 mm	A	A

A: Same parts.

B: Parts are usable, but differ in materials, appearance, finish, size, etc.

Absence of mark indicates non-interchangeability.

Specifications are subject to change without notice.

HB-M9110-BS WH-M9111
 HB-MT900-BS WH-MT901

Dec.-2019-4522A

© Shimano Inc. ITP

SHIMANO