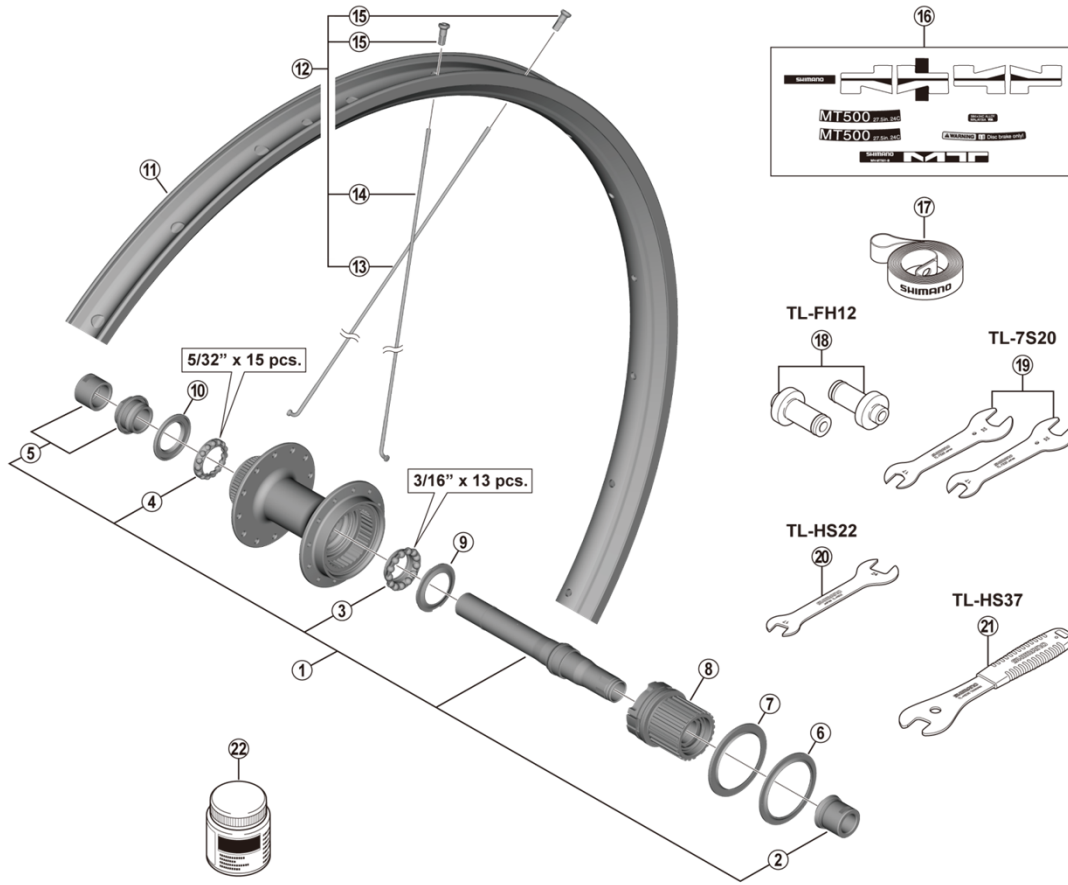


Rear Wheel (MTB 12-speed)

WH-MT501-CL-R12-B-275 For Disc Brake



WH-MT620-TL-R12-B-275

• Over Lock Nut Dimension: 148 mm (5-13/16")

ITEM NO.	SHIMANO CODE NO.	DESCRIPTION	INTERCHANGEABILITY	
1	Y0KD98010	Complete Hub Axle	A	
2	Y0KD98020	Right Hand Cap Unit	A	
3	Y3G198030	Right Hand Ball Retainer (3/16" x 13)	A	
4	Y0CJ98030	Ball Retainer (5/32" x 15)	A	
5	Y0KD98030	Left Hand Lock Nut & Cone w/Dust Cover	A	
6	Y3GD10000	Outer Seal Cap	A	
7	Y3GD11000	Outer Seal Ring	A	
8	Y0KD98040	Freewheel Body Unit	A	
9	Y3G112000	Inner Cover	A	
10	Y26D10000	Seal Ring	A	
11	-	Rim {24H}		
12	-	Spoke Unit {Spoke (269 mm x 12 pcs. / 267.5 mm x 12 pcs.) / Nipple (24 pcs.)}		
13	Y0KMS1000	Spoke (269 mm)		
14	Y0KDS3000	Spoke (267.5 mm)		
15	Y012Y3352	Nipple		
16	Y0KD98050	Rim Sticker Unit		
16	Y0KD98060	Rim Sticker Unit (Red)		
16	Y0KD98070	Rim Sticker Unit (Blue)		
16	Y0KD98080	Rim Sticker Unit (Orange)		
16	Y0KD98090	Rim Sticker Unit (Green)		
16	Y0KD98100	Rim Sticker Unit (Yellow)		
16	Y0KD98110	Rim Sticker Unit (Gray)		
17	Y00X00010	Rim Tape 25-584		
18	Y13098011	TL-FH12 Hub Setting Tool for 12 mm Thru-axle	A	
19	Y13098900	TL-7S20 Hub Spanner (17 mm x 22 mm) 2 pcs.	A	
20	Y3C227000	TL-HS22 Hub Spanner (17 mm x 24 mm)	A	
21	Y23098030	TL-HS37 Hub Spanner 17 mm	A	
22	Y3B980000	Grease for FREEHUB 50g	A	

A: Same parts.

B: Parts are usable, but differ in materials, appearance, finish, size, etc.

Absence of mark indicates non-interchangeability.

Specifications are subject to change without notice.

Nov.-2019-4538

© Shimano Inc. ITP

SHIMANO