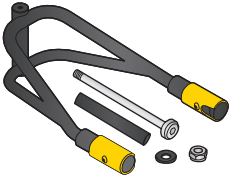




Journey Trail TX Yoke with SlideLock



Art no. TRK-TTRSP10

Journey Trail TX Axle Kit-P10



Art no. TTR-TXAK-P10

Journey Trail TX Axle Kit-P15



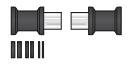
Art no. TTR-TXAK-P15

Journey Trail TX Axle Kit-P175



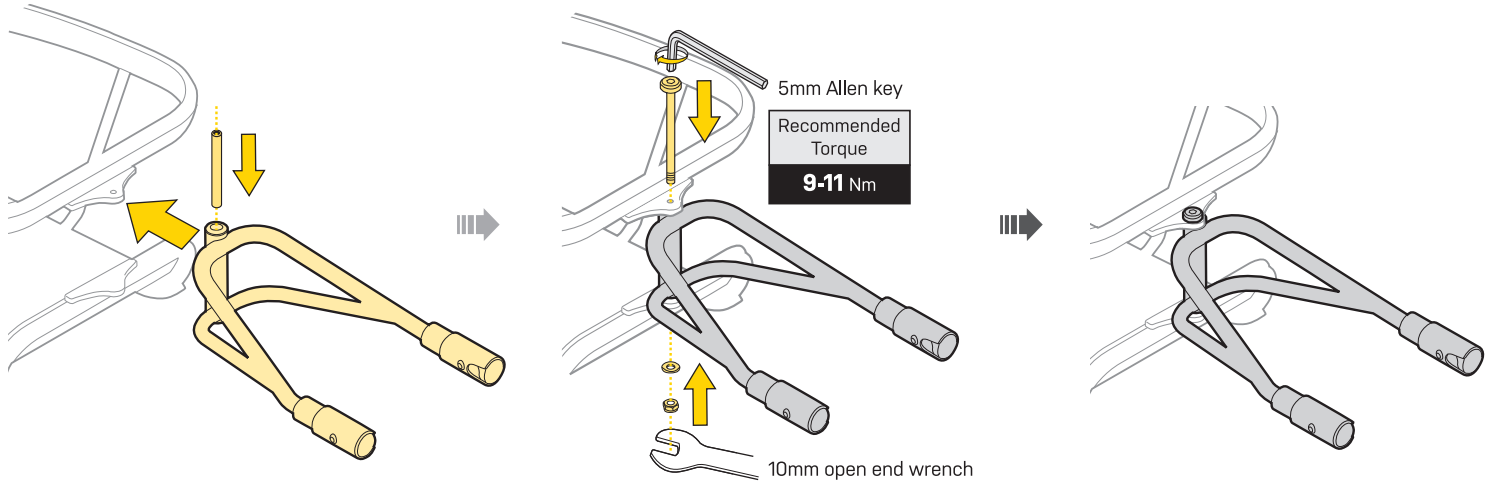
Art no. TTR-TXAK-P175

Journey Trail TX Nut Kit



Art no. TTR-TXNK-IGH

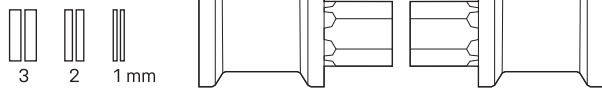
## TRAILER YOKE ASSEMBLY



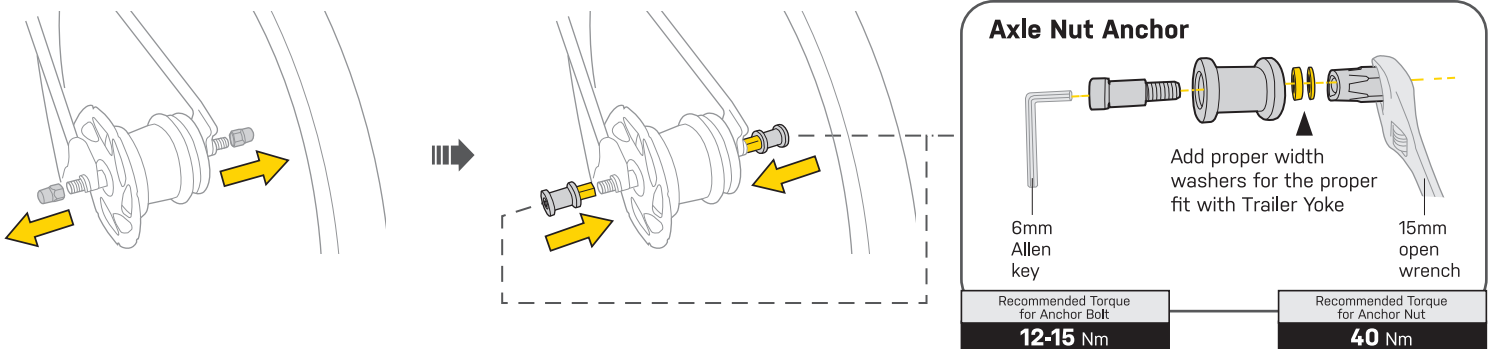
## AXLE NUT ANCHOR ASSEMBLY (FOR INTERNAL GEAR HUBS)

Compatible with Shimano® ALFINE 11, 8 and NEXUS INTER-8

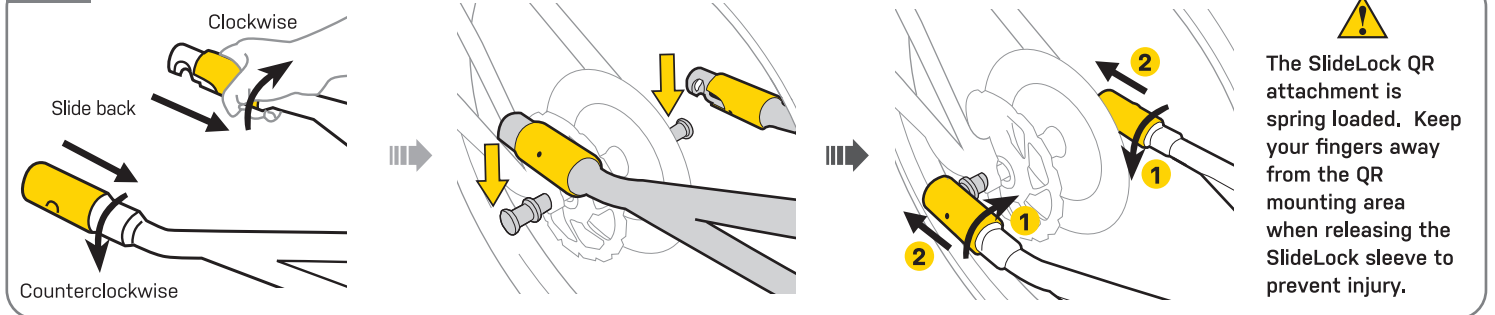
Included washers



### STEP 1 Remove the Internal gear hub axle nuts from rear wheel and Install the Axle Nut Anchors



### STEP 2

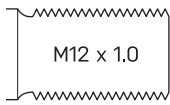




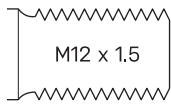
## THRU-AXLE ASSEMBLY

Compatible with 12mm rear thru-axes under 180mm in length

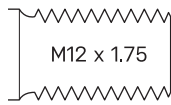
1. Choose the correct thread pitch, 1.0 / 1.5 / 1.75 mm, to match your thru-axe and order it from Topeak distributors or dealers near you.



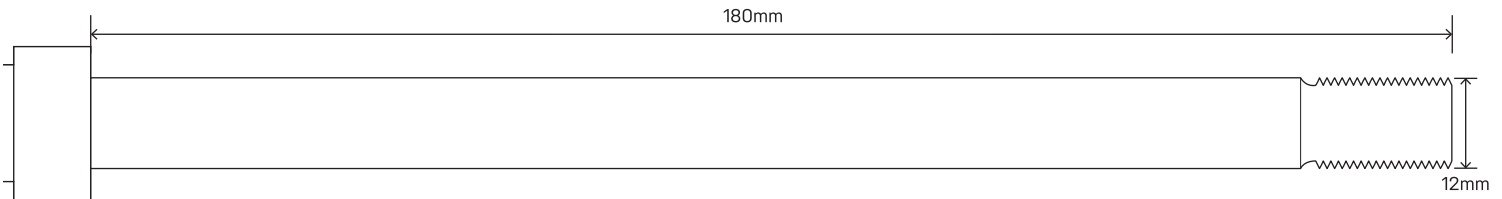
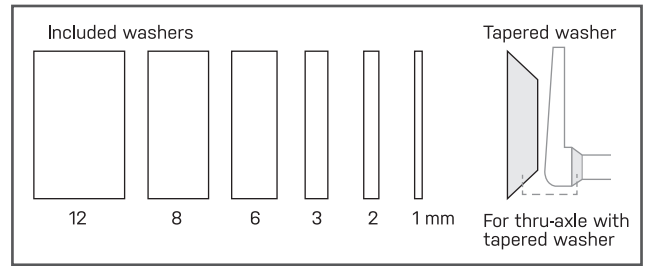
Journey Trail TX Axle Kit-P10  
Art no. TTR-TXAK-P10



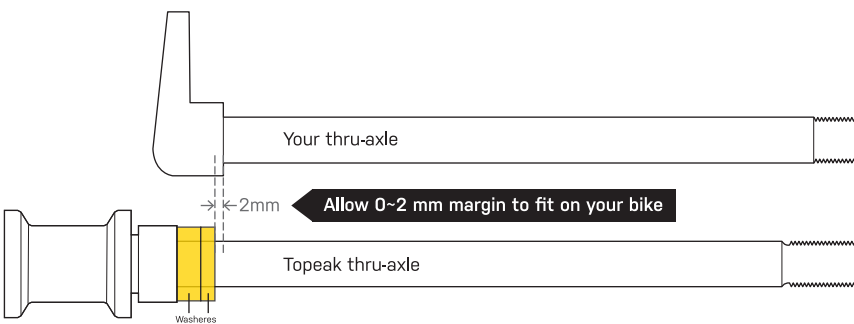
Journey Trail TX Axle Kit-P15  
Art no. TTR-TXAK-P15



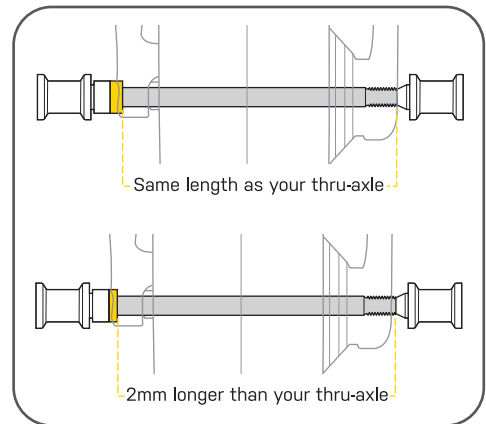
Journey Trail TX Axle Kit-P175  
Art no. TTR-TXAK-P175



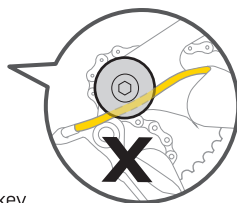
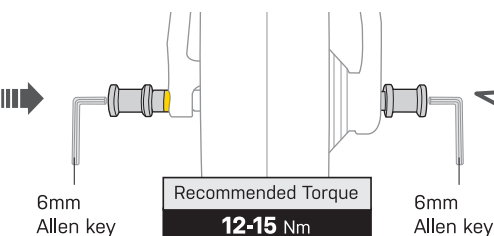
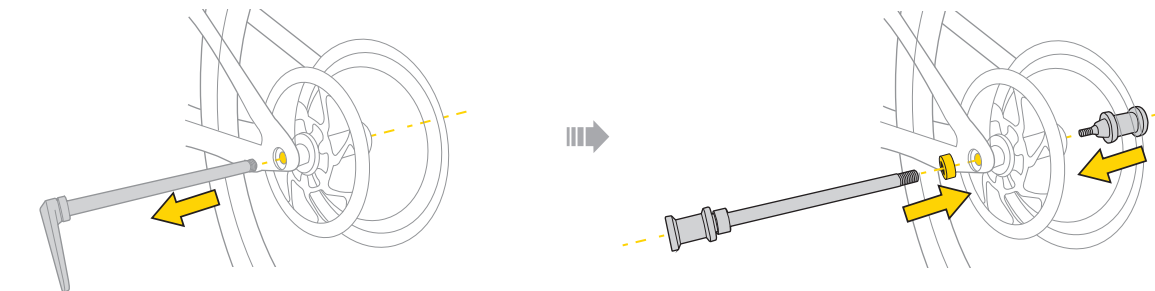
2. Compare with your thru-axe and choose the proper washers to add on Topeak thru-axe you have purchased as close to the length of your thru-axe as possible.



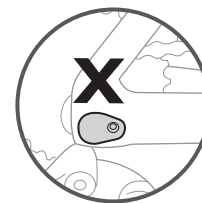
### Proper washer added for your bike



### STEP 1 Remove rear thru-axe from rear wheel and install the Trail TX axle

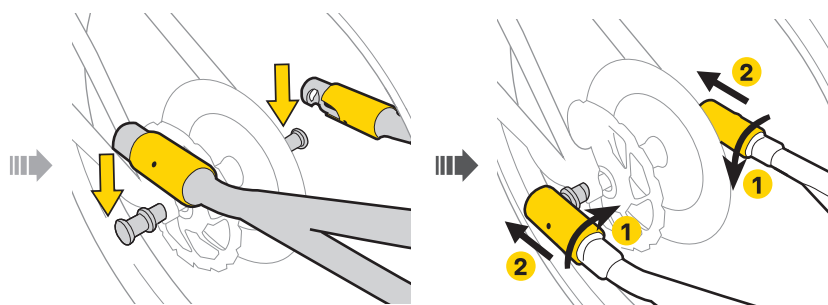
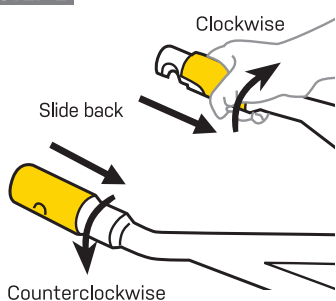


Ensure there is no interference when installing the Trailer TX axle



Not compatible with enclosed end thru-axe frame designs

### STEP 2



The SlideLock QR attachment is spring loaded. Keep your fingers away from the QR mounting area when releasing the SlideLock sleeve to prevent injury.