

Thule Velo-Vise bike carrier 511

511/1000-16-2

5 *års garanti*
years warranty
Jahre Garantie
ans de garantie

Components:

Front fork holder with lock, wheel rail with wheel holder, and mounting kit.


Materials:

Wheel rail of anodized aluminium. Fork mounting of high-strength, glass fibre reinforced polyamide. Length = 1330 mm Width = 150 mm

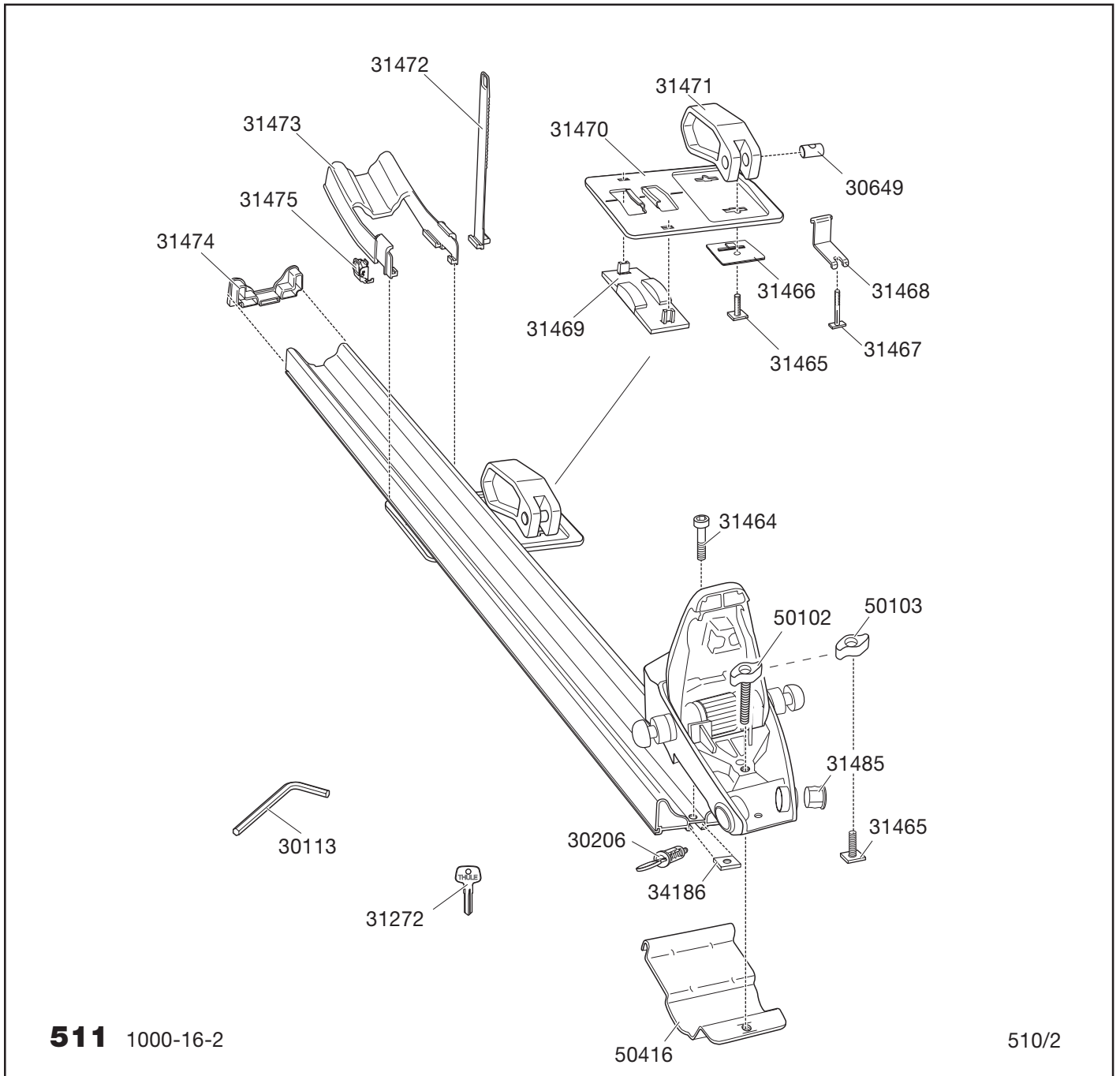
Mounting, etc.:

Mount on the load carrier in accordance with the instructions accompanying the product. The front fork of the bike is secured to the fork holder by means of a lockable clamping device. The rear wheel rests in the rail and is secured in position by means of the retaining strap.



- Quick-release fastener that enables the front fork to be secured and locked in position in two simple operations.
- Adjustable wheel retaining straps for different tyre sizes.
- Double lock function that locks the bike both to the rail and to the load carrier.
- Fits all load carriers of T-track section and box section.
- No tools are needed.
- Can be supplemented with wheel holder 545-1.
- One Key System. 
- TÜV/GS -approved.

Thule Velo-Vise bike carrier 511



Individual packs

Pallet

Product	EAN	Kg	L/W/H in cm
511	7313021006222	2,6	133/13/9

Product	Qty/kg	L/W/H in cm
511	72/202	133/80/119