

2



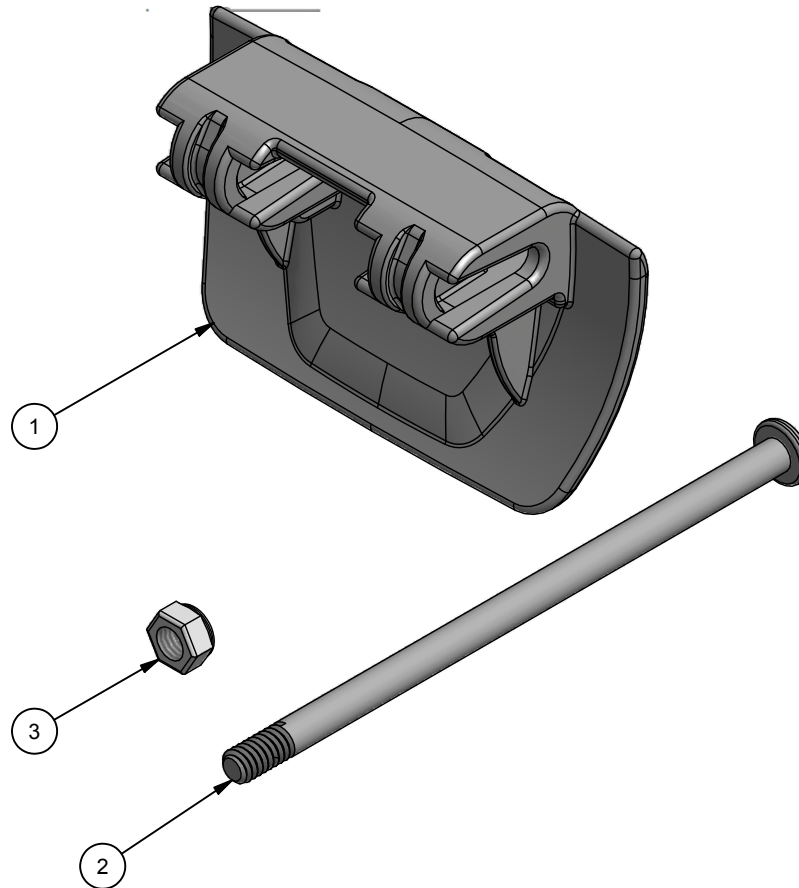
1

Parts List			
ITEM	QTY	ITEM #	DESCRIPTION
1	1	41190638	Reclining seat - actuator lever - CHK1/2
2	1	50190592	Bolt - M5x78x12mmT
3	1	50190705	Nut - M5 Lock

PART NUMBER		SHEET	
40105158		1 OF 1	
REV	ECO NUMBER	DATE	INITIAL
A	2012-101	21/3/13	WF

B

B



A

A

(SP) UPC#: 872299037223

THIS PRINT IS THE CONFIDENTIAL AND PROPRIETARY PROPERTY OF THULE CHILD TRANSPORT SYSTEMS LTD. THE REPRODUCTION OF THIS PRINT, MANUFACTURE OF THE ITEM DESCRIBED HEREON, OR THE DISCLOSURE OF THE SAME IS FORBIDDEN WITHOUT THE EXPRESSED WRITTEN CONSENT OF THE OWNER

MATERIAL  
N/A

CONDITION  
N/A

FINISH  
N/A

UNLESS OTHERWISE SPECIFIED  
ALL DIMENSIONS ARE IN MILLIMETERS

PERPENDICULAR SURFACES TO BE SQUARE WITHIN .03  
TOTAL RUNOUT WITHIN .08 ON COMMON DIAMETERS  
ALL DRILLED HOLES TO BE MAX 0.2 mm OVERSIZED

REMOVE SHARP EDGES .15 MAX  
FILLETS R.15 MAX

ANGLES  $\pm 0^{\circ}30'$   
ALL MACHINED SURFACES  
64 MICRO INCHES

TOLERANCE: DECIMAL

X =  $\pm 1$  mm

.X =  $\pm .5$  mm

.XX =  $\pm .2$  mm



DRAWN

WesleyF

DATE

13-03-21

DESCRIPTION

Reclining seat lever - CHK (SP)

**chariot**<sup>TM</sup>

PART NUMBER

40105158

2



1