

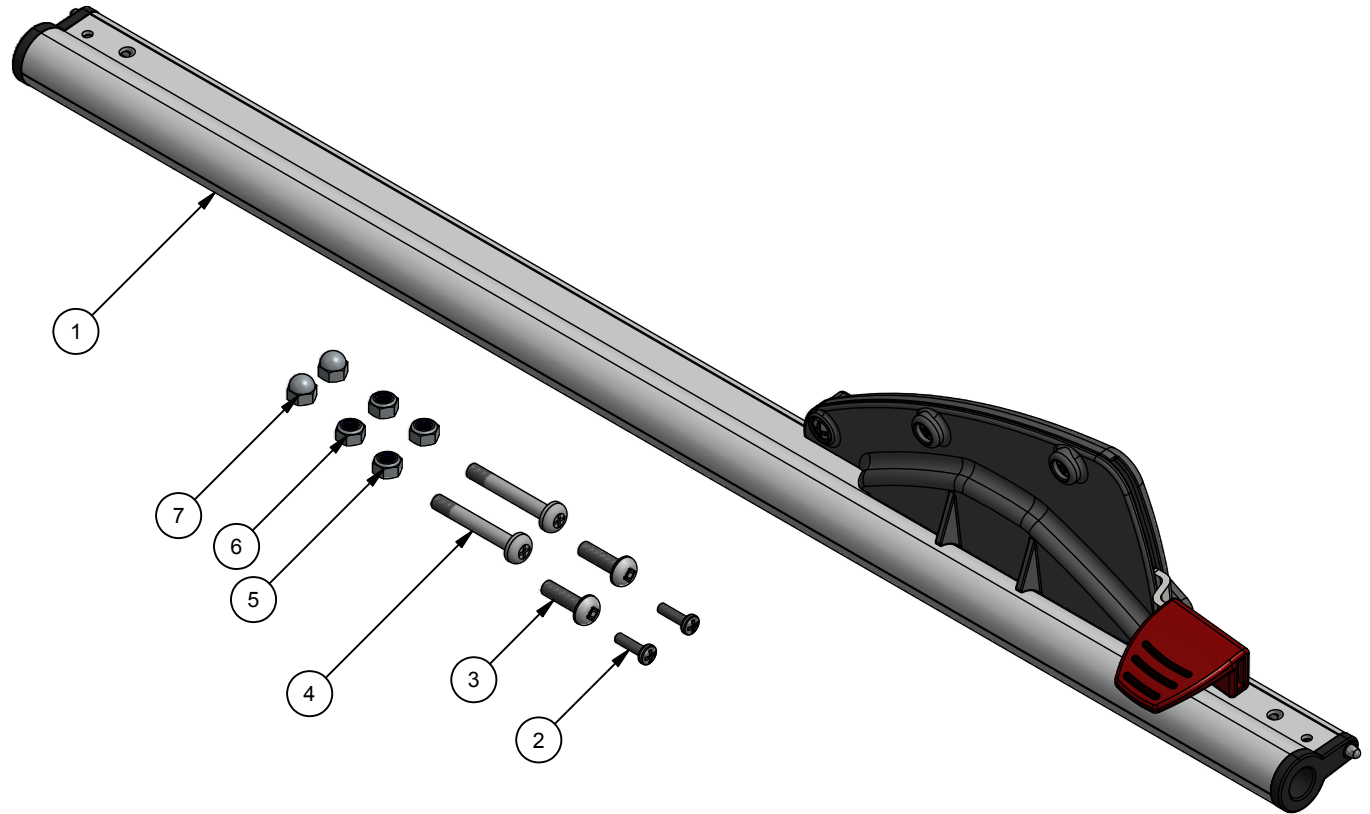
2



1

Parts List			
ITEM	QTY	ITEM #	DESCRIPTION
1	1	40191912	Axle Assy - CHK2
2	2	50190582	Bolt - M4 x 14mm Phillips
3	2	50190502	Bolt - M6x20 Phillips
4	2	50190585	Bolt - M6x42 Phillips 10mm thread
5	2	50190709	Nut - M6 Jam Nut
6	2	50190701	Nut - M4 Jam Nut
7	2	50190734	Nut - M6 Jam Nut - capped

PART NUMBER		SHEET	
40105130		1 OF 1	
REV	ECO NUMBER	DATE	INITIAL
A	2012-101	21/3/13	WF



(SP) UPC#: 872299037179

THIS PRINT IS THE CONFIDENTIAL AND PROPRIETARY PROPERTY OF THULE CHILD TRANSPORT SYSTEMS LTD. THE REPRODUCTION OF THIS PRINT, MANUFACTURE OF THE ITEM DESCRIBED HEREON, OR THE DISCLOSURE OF THE SAME IS FORBIDDEN WITHOUT THE EXPRESSED WRITTEN CONSENT OF THE OWNER

MATERIAL
N/ACONDITION
N/AFINISH
N/A

UNLESS OTHERWISE SPECIFIED ALL DIMENSIONS ARE IN MILLIMETERS

PERPENDICULAR SURFACES TO BE SQUARE WITHIN .03
TOTAL RUNOUT WITHIN .08 ON COMMON DIAMETERS
ALL DRILLED HOLES TO BE MAX 0.2 mm OVERSIZED

REMOVE SHARP EDGES .15 MAX
FILLETS R.15 MAX

ANGLES ±0°30'
ALL MACHINED SURFACES
64 MICRO INCHES

TOLERANCE: DECIMAL
X = ± 1 mm
.X = ± .5 mm
.XX = ± .2 mm



DRAWN

WesleyF

DATE

21/03/2013

DESCRIPTION

Axle/Parking brake - CHK2 - (SP)

PART NUMBER

40105130

2



1