

2

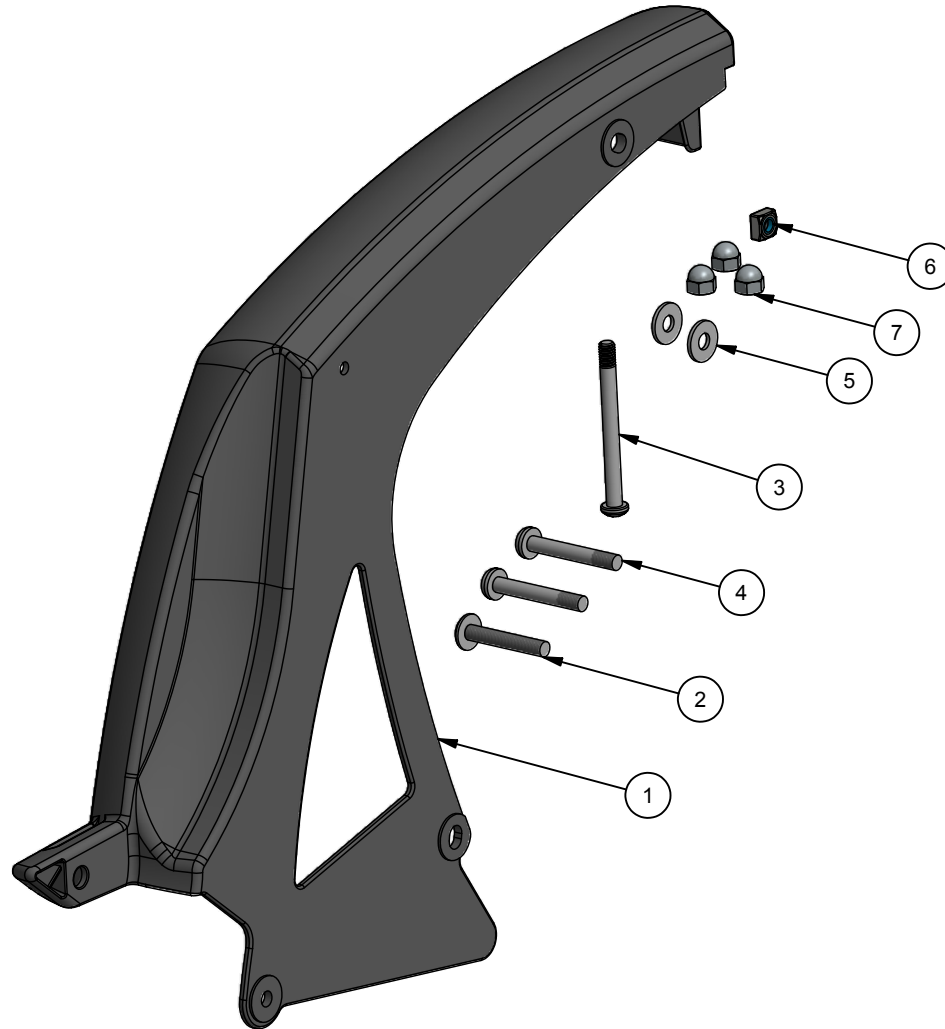


1

Parts List			
ITEM	QTY	ITEM #	DESCRIPTION
1	1	401912977	Fender - right - CHK
2	1	50190508	Bolt - M6x37 Phillips
3	1	50190528	Bolt - M6x59 Phillips
4	2	50190585	Bolt - M6x42 Phillips 10mm thread
5	2	50190631	Washer - 6.5mmID, 16mmOD, 1.5mmT
6	1	50190713	Nut - square nylon lock M6
7	3	50190734	Nut - M6 Jam Nut - capped

PART NUMBER		SHEET	
40105127		1 OF 1	
REV	ECO NUMBER	DATE	INITIAL
A	2012-101	21/3/13	WF

B



B

A

A

(SP) UPC#: 872299037155

THIS PRINT IS THE CONFIDENTIAL AND PROPRIETARY PROPERTY OF THULE CHILD TRANSPORT SYSTEMS LTD. THE REPRODUCTION OF THIS PRINT, MANUFACTURE OF THE ITEM DESCRIBED HEREON, OR THE DISCLOSURE OF THE SAME IS FORBIDDEN WITHOUT THE EXPRESSED WRITTEN CONSENT OF THE OWNER

MATERIAL
N/ACONDITION
N/AFINISH
N/A

UNLESS OTHERWISE SPECIFIED ALL DIMENSIONS ARE IN MILLIMETERS

PERPENDICULAR SURFACES TO BE SQUARE WITHIN .03
TOTAL RUNOUT WITHIN .08 ON COMMON DIAMETERS
ALL DRILLED HOLES TO BE MAX 0.2 mm OVERSIZED

REMOVE SHARP EDGES .15 MAX

FILLETS R.15 MAX

ANGLES ±0°30'

ALL MACHINED SURFACES
64 MICRO INCHES

TOLERANCE: DECIMAL

X = ± 1 mm

.X = ± .5 mm

.XX = ± .2 mm



DRAWN

WesleyF

DATE

13-03-21

DESCRIPTION

Fender - right - CHK (SP)

PART NUMBER

40105127

2



1