

2



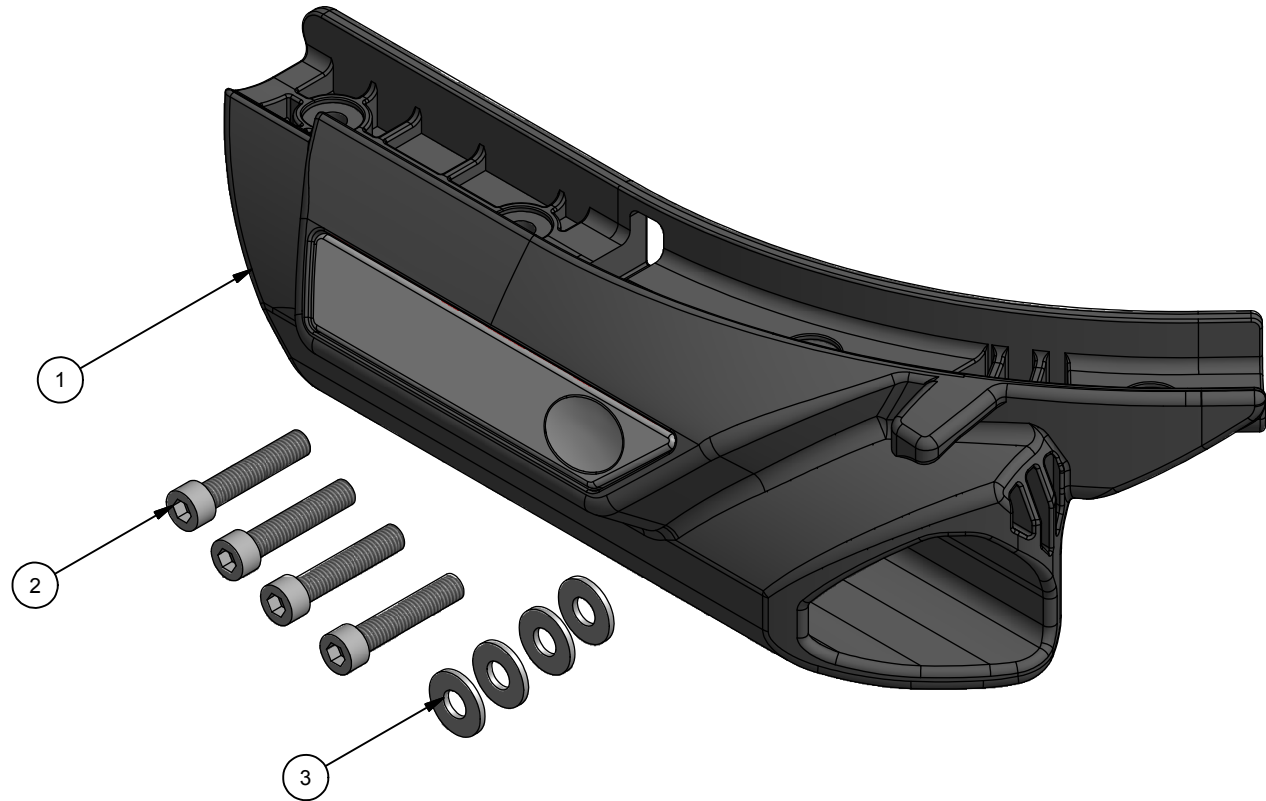
1

| Parts List |     |          |  |
|------------|-----|----------|--|
| ITEM       | QTY | ITEM #   | DESCRIPTION                                |
| 1          | 1   | 40191519 | Wing Assy - Right - CHK                    |
| 2          | 4   | 50190583 | Bolt - M5x25 - Hexagon<br>Socket Cap Screw |
| 3          | 4   | 50100612 | Washer - 5.6mmID,<br>12.7mmOD, 1.2mmT      |

| PART NUMBER |            | SHEET   |         |
|-------------|------------|---------|---------|
| 40105124    |            | 1 OF 1  |         |
| REV         | ECO NUMBER | DATE    | INITIAL |
| A           | 2012-101   | 21/3/13 | WF      |

B

B



A

A

(SP) UPC#: 872299037131

THIS PRINT IS THE CONFIDENTIAL AND PROPRIETARY PROPERTY OF THULE CHILD TRANSPORT SYSTEMS LTD. THE REPRODUCTION OF THIS PRINT, MANUFACTURE OF THE ITEM DESCRIBED HEREON, OR THE DISCLOSURE OF THE SAME IS FORBIDDEN WITHOUT THE EXPRESSED WRITTEN CONSENT OF THE OWNER

MATERIAL  
N/A

CONDITION  
N/A

FINISH  
N/A

**UNLESS OTHERWISE SPECIFIED  
ALL DIMENSIONS ARE IN MILLIMETERS**

PERPENDICULAR SURFACES TO BE SQUARE WITHIN .03  
TOTAL RUNOUT WITHIN .08 ON COMMON DIAMETERS  
ALL DRILLED HOLES TO BE MAX 0.2 mm OVERSIZED

REMOVE SHARP EDGES .15 MAX  
FILLETS R.15 MAX  
ANGLES ±0°30'  
ALL MACHINED SURFACES  
64 MICRO INCHES

TOLERANCE: DECIMAL  
X = ± 1 mm  
.X = ± .5 mm  
.XX = ± .2 mm

DRAWN  
WesleyF

DATE  
13-03-21

DESCRIPTION  
VW3.0 - right - CHK (SP)

PART NUMBER  
40105124

2



1