

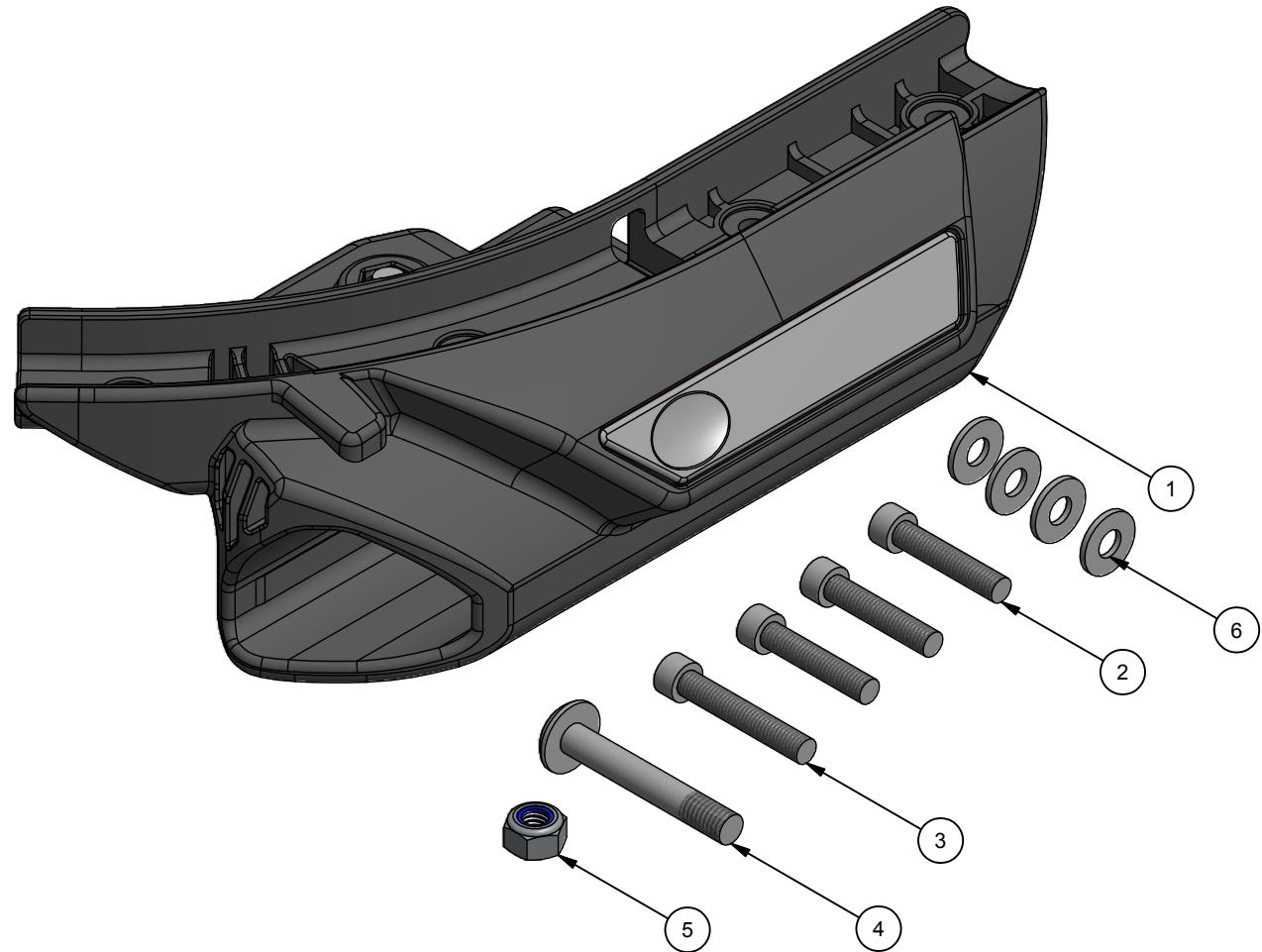
2



1

Parts List			
ITEM	QTY	ITEM #	DESCRIPTION
1	1	40191518	Wing assy - left - CHK
2	3	50190583	Bolt - M5x25 - Hexagon Socket Cap Screw
3	1	50190584	Bolt - M5x30 - Hexagon Socket Cap Screw
4	1	50190531	Bolt - M6x40 Phillips
5	1	50190709	Nut - M6 Jam Nut
6	4	50100612	Washer - 5.6mmID, 12.7mmOD, 1.2mmT

PART NUMBER 40105123		SHEET 1 OF 1	
REV	ECO NUMBER	DATE	INITIAL
A	2012-101	21/3/13	WF



(SP) UPC#: 872299037124

THIS PRINT IS THE CONFIDENTIAL AND PROPRIETARY PROPERTY OF THULE CHILD TRANSPORT SYSTEMS LTD. THE REPRODUCTION OF THIS PRINT, MANUFACTURE OF THE ITEM DESCRIBED HEREON, OR THE DISCLOSURE OF THE SAME IS FORBIDDEN WITHOUT THE EXPRESSED WRITTEN CONSENT OF THE OWNER

MATERIAL  
N/ACONDITION  
N/AFINISH  
N/A

UNLESS OTHERWISE SPECIFIED  
ALL DIMENSIONS ARE IN MILLIMETERS

PERPENDICULAR SURFACES TO BE SQUARE WITHIN .03  
TOTAL RUNOUT WITHIN .08 ON COMMON DIAMETERS  
ALL DRILLED HOLES TO BE MAX 0.2 mm OVERSIZED

REMOVE SHARP EDGES .15 MAX

FILLETS R.15 MAX

ANGLES ±0°30'

ALL MACHINED SURFACES

64 MICRO INCHES

TOLERANCE: DECIMAL

X = ± 1 mm

.X = ± .5 mm

.XX = ± .2 mm



DRAWN

WesleyF

DATE

21/03/2013

DESCRIPTION

VW3.0 - Left - CHK (SP)

PART NUMBER

40105123

2



1

B

B

A

A