

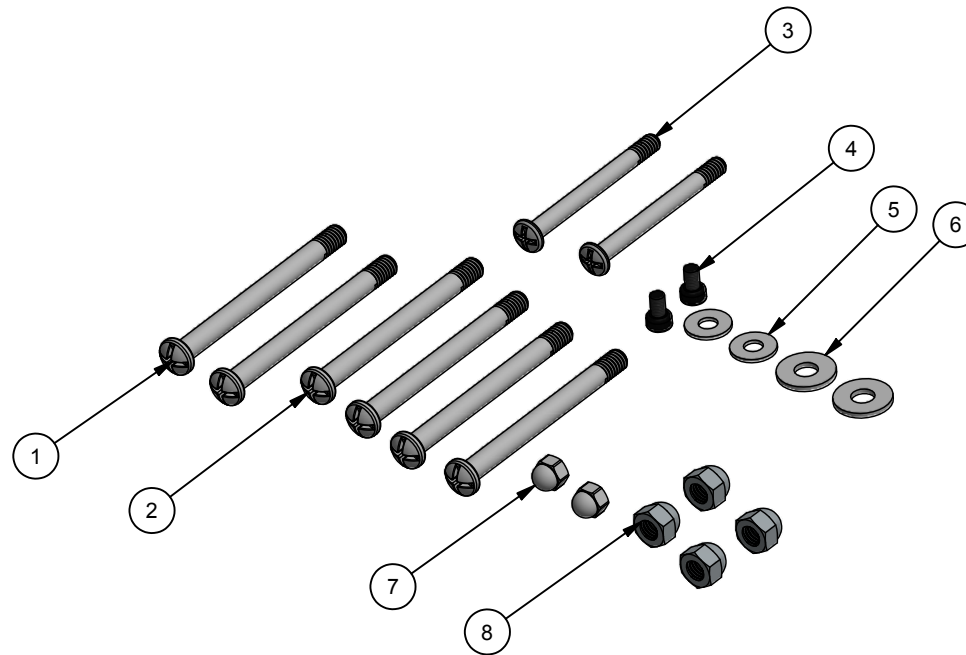
2



1

Parts List			
ITEM	QTY	ITEM #	DESCRIPTION
1	2	50190527	Bolt - M6x67
2	4	50190528	Bolt - M6x59 Phillips
3	2	50190579	Bolt - M5x56
4	2	50190588	Bolt - M4x6 socket head cap screw
5	2	50190612	Washer - 5.3mmID, 12.7mmOD, 1mmT
6	2	50190631	Washer - 6.5mmID, 16mmOD, 1.5mmT
7	2	50190733	Nut - M5 capped nylon lock nut
8	4	50190734	Nut - M6 Jam Nut - capped

PART NUMBER		SHEET	
40105111		1 OF 1	
REV	ECO NUMBER	DATE	INITIAL
A	2012-101	20/3/13	WF



(SP) UPC#: 872299036356

THIS PRINT IS THE CONFIDENTIAL AND PROPRIETARY PROPERTY OF THULE CHILD TRANSPORT SYSTEMS LTD. THE REPRODUCTION OF THIS PRINT, MANUFACTURE OF THE ITEM DESCRIBED HEREON, OR THE DISCLOSURE OF THE SAME IS FORBIDDEN WITHOUT THE EXPRESSED WRITTEN CONSENT OF THE OWNER

MATERIAL
N/ACONDITION
N/AFINISH
N/A

UNLESS OTHERWISE SPECIFIED
ALL DIMENSIONS ARE IN MILLIMETERS

PERPENDICULAR SURFACES TO BE SQUARE WITHIN .03
TOTAL RUNOUT WITHIN .08 ON COMMON DIAMETERS
ALL DRILLED HOLES TO BE MAX 0.2 mm OVERSIZED

REMOVE SHARP EDGES .15 MAX
FILLETS R.15 MAX

ANGLES ±0°30'
ALL MACHINED SURFACES
64 MICRO INCHES

TOLERANCE: DECIMAL

X = ± 1 mm

.X = ± .5 mm

.XX = ± .2 mm



DRAWN

WesleyF

DATE

20/03/2013

DESCRIPTION

CHK Hardware Kit - RS Soft Goods (SP)

PART NUMBER

40105111

2



1