

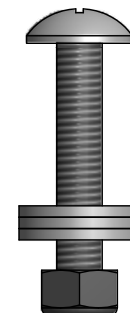
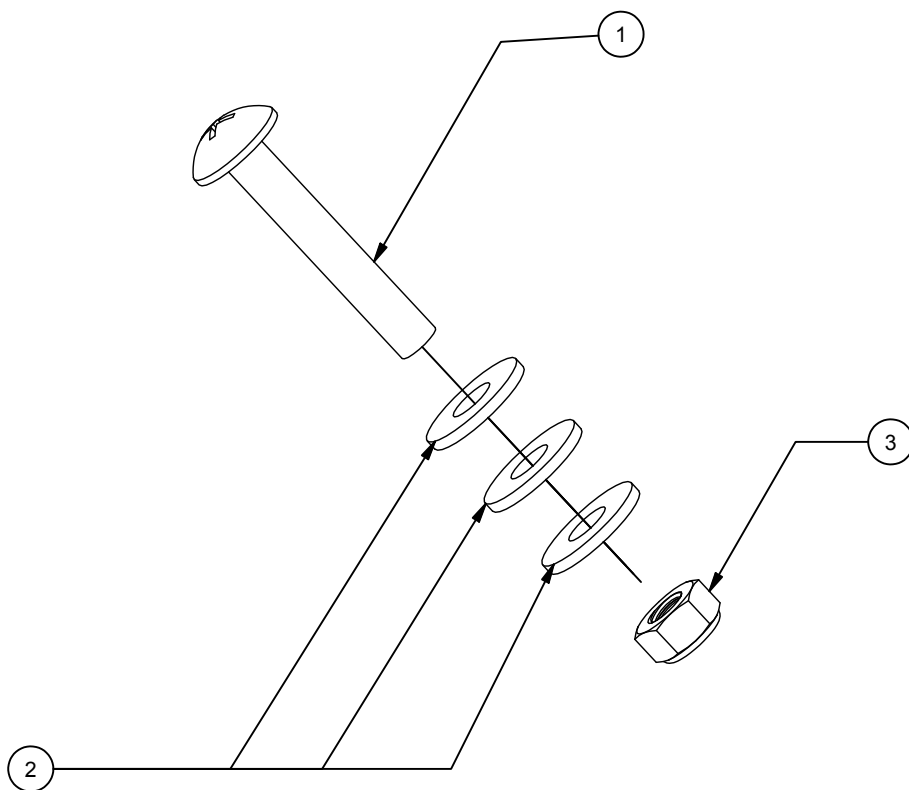
2



1

Parts List			
ITEM	QTY	PART #	DESCRIPTION
1	1	50190512	Bolt - M6x36 Phillips
2	3	50190631	Washer - 6.5mmID, 16mmOD, 1.5mmT
3	1	50190709	Nut - M6 Jam Nut

PART NUMBER		SHEET	
40105049		1 OF 1	
REV	ECO NUMBER	DATE	INITIAL
A	2011-65	05/22/12	KM



(SP) UPC#: 872299034154

THIS PRINT IS THE CONFIDENTIAL AND PROPRIETARY PROPERTY OF THULE CHILD TRANSPORT SYSTEMS LTD. THE REPRODUCTION OF THIS PRINT, MANUFACTURE OF THE ITEM DESCRIBED HEREON, OR THE DISCLOSURE OF THE SAME IS FORBIDDEN WITHOUT THE EXPRESSED WRITTEN CONSENT OF THE OWNER

MATERIAL
N/A

CONDITION
N/A

FINISH
N/A

UNLESS OTHERWISE SPECIFIED
ALL DIMENSIONS ARE IN MILLIMETERS

PERPENDICULAR SURFACES TO BE SQUARE WITHIN .03
TOTAL RUNOUT WITHIN .08 ON COMMON DIAMETERS
ALL DRILLED HOLES TO BE MAX 0.2 mm OVERSIZED

REMOVE SHARP EDGES .15 MAX
FILLETS R.15 MAX

ANGLES $\pm 0^{\circ}30'$
ALL MACHINED SURFACES
64 MICRO INCHES

TOLERANCE: DECIMAL

X = ± 1 mm

.X = $\pm .5$ mm

.XX = $\pm .2$ mm



DRAWN

KMENDES

DATE

22/05/2012

DESCRIPTION

Ski Kit Harness Hardware Kit (SP) 2002-X

PART NUMBER

40105049

2



1