

2



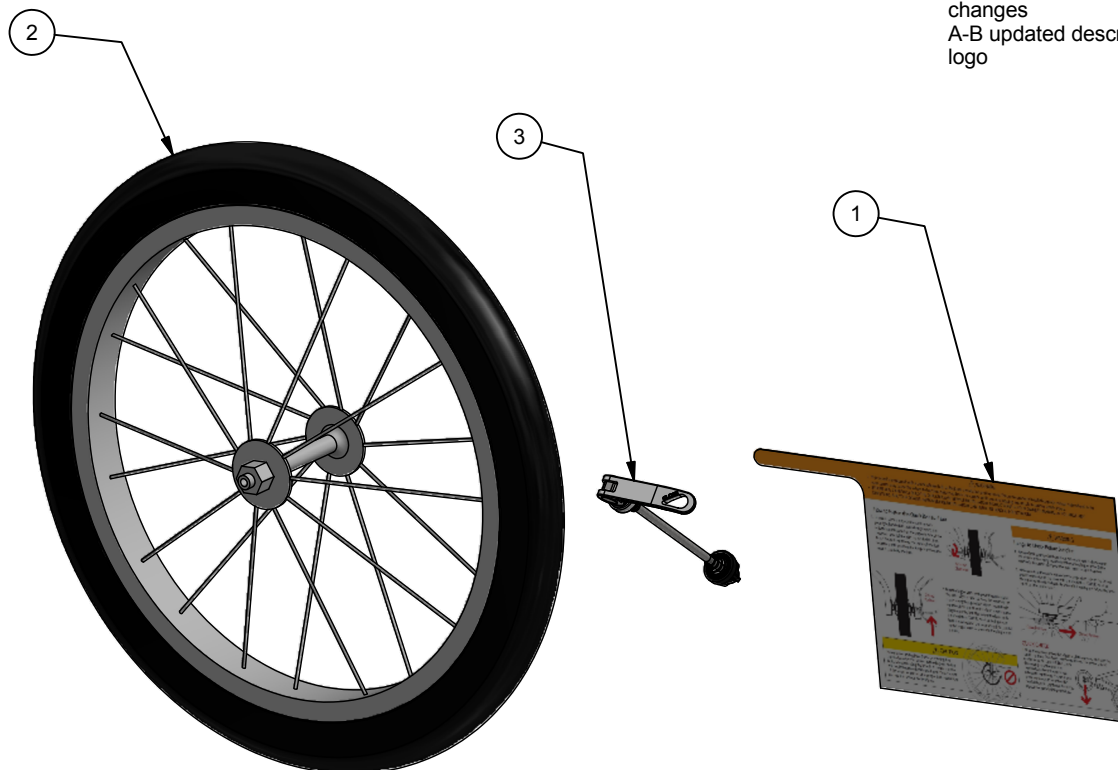
1

Parts List			
ITEM	QTY	PART #	DESCRIPTION
1	1	50101676	Label - Warning QR - Jogging
2	1	50101730	Wheel - Spoked 16"
3	1	50103012	QR Skewer for Wheel

PART NUMBER		SHEET	
40102418		1 OF 1	
REV	ECO NUMBER	DATE	INITIAL
E-1	2011-14	03/30/11	KM
A	ENG	03/22/12	KM
B	2012-64	09/20/12	KM

E1-A updated dwg to new rev format. No other changes
 A-B updated description, added upc, updated chariot logo

B



B

A

A

(SP) UPC#: 872299015788

THIS PRINT IS THE CONFIDENTIAL AND PROPRIETARY PROPERTY OF THULE CHILD TRANSPORT SYSTEMS LTD. THE REPRODUCTION OF THIS PRINT, MANUFACTURE OF THE ITEM DESCRIBED HEREON, OR THE DISCLOSURE OF THE SAME IS FORBIDDEN WITHOUT THE EXPRESSED WRITTEN CONSENT OF THE OWNER

MATERIAL
N/A

CONDITION
N/A

FINISH
N/A

UNLESS OTHERWISE SPECIFIED ALL DIMENSIONS ARE IN MILLIMETERS

PERPENDICULAR SURFACES TO BE SQUARE WITHIN .03
 TOTAL RUNOUT WITHIN .08 ON COMMON DIAMETERS
 ALL DRILLED HOLES TO BE MAX 0.2 mm OVERSIZED

REMOVE SHARP EDGES .15 MAX
 FILLETS R.15 MAX

ANGLES ±0°30'
 ALL MACHINED SURFACES
 64 MICRO INCHES

TOLERANCE: DECIMAL

X = ± 1 mm

.X = ± .5 mm

.XX = ± .2 mm



DRAWN

KMEENDES

DATE

14/03/2011

DESCRIPTION

Wheel - 16" Jogging Kit (SP) - (except CX) All Sport + Touring Carriers

PART NUMBER

40102418

2



1