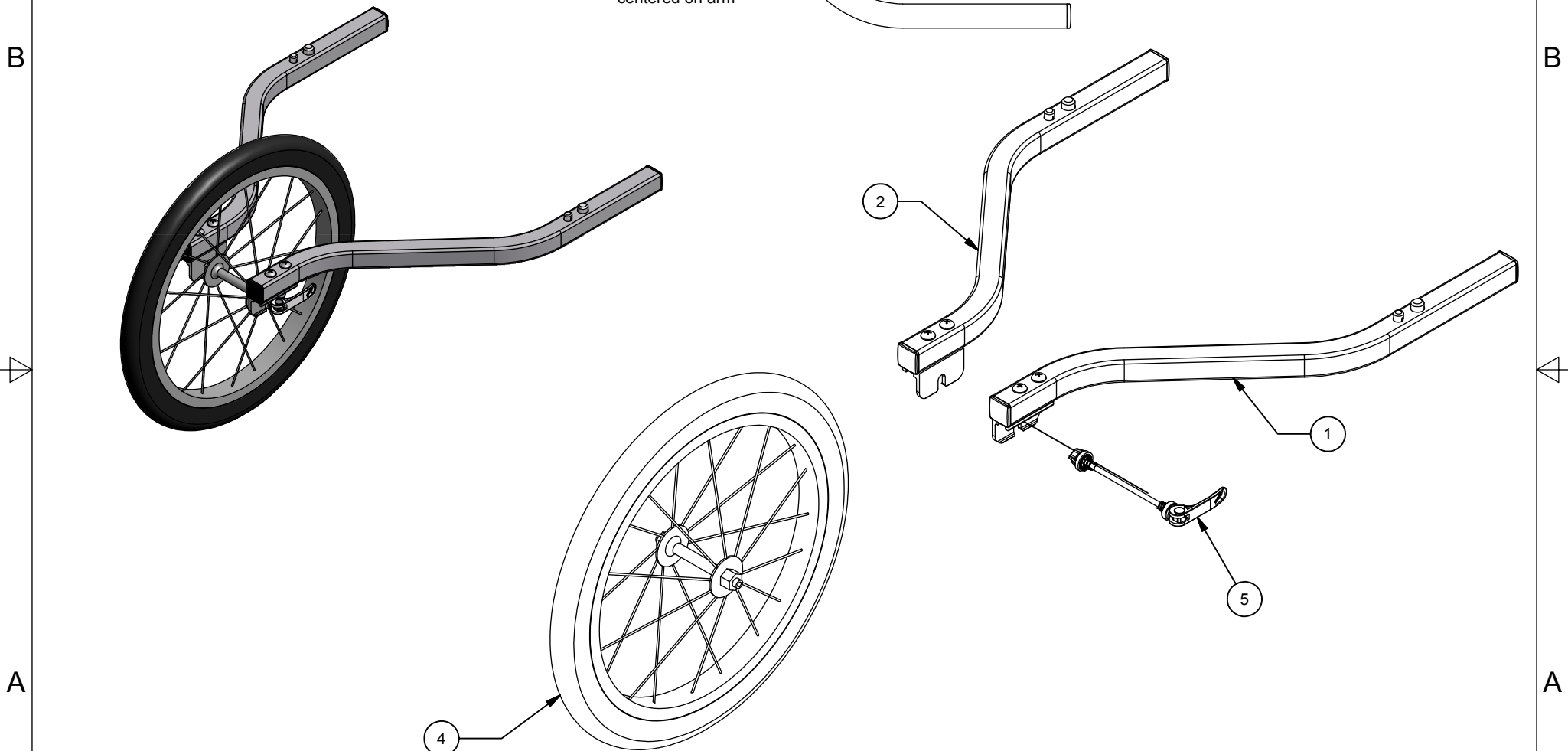
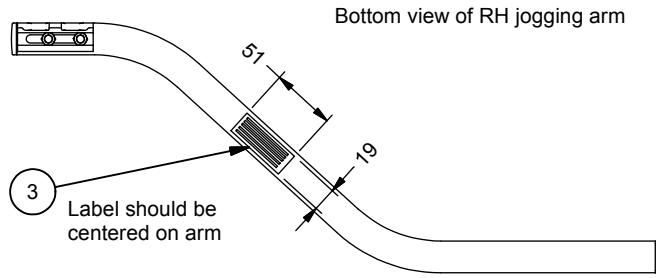


Parts List			
ITEM	QTY	PART #	DESCRIPTION
1	1	40101054	Wheel Arm Assy, L COR1
2	1	40101055	Wheel Arm Assy, R COR1
3	1	41102403	Product Tracking Label - 3
4	1	50101730	Wheel - Spoked 16"
5	1	50103012	QR Skewer for Wheel

PART NUMBER 40101053		SHEET 1 OF 1	
REV	ECO NUMBER	DATE	INITIAL
A	2012-5	03/22/12	GM



NOTE:
1. Verify fit, assembly and function on a carrier

THIS PRINT IS THE CONFIDENTIAL AND PROPRIETARY PROPERTY OF THULE CHILD TRANSPORT SYSTEMS LTD. THE REPRODUCTION OF THIS PRINT, MANUFACTURE OF THE ITEM DESCRIBED HEREON, OR THE DISCLOSURE OF THE SAME IS FORBIDDEN WITHOUT THE EXPRESSED WRITTEN CONSENT OF THE OWNER	MATERIAL N/A	UNLESS OTHERWISE SPECIFIED ALL DIMENSIONS ARE IN MILLIMETERS PERPENDICULAR SURFACES TO BE SQUARE WITHIN .03 TOTAL RUNOUT WITHIN .08 ON COMMON DIAMETERS ALL DRILLED HOLES TO BE MAX 0.2 mm OVERSIZED REMOVE SHARP EDGES .15 MAX FILLETS R.15 MAX ANGLES ±0°30' ALL MACHINED SURFACES 64 MICRO INCHES TOLERANCE: DECIMAL X = ± 1 mm .X = ± .5 mm .XX = ± .2 mm	DRAWN DD	
	CONDITION N/A		DATE 10/31/11	
	FINISH N/A		DESCRIPTION Jogging Kit Assembly COR1	