

2

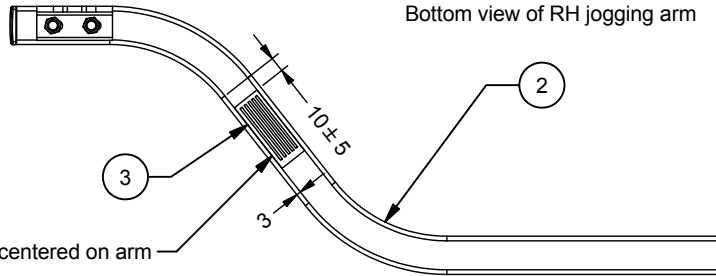


1

Parts List			
ITEM	QTY	PART #	DESCRIPTION
1	1	40101027	Wheel Arm Assy (XC SGL) L
2	1	40101028	Wheel Arm Assy (XC SGL) R
3	1	41102403	Product Tracking Label - 3
4	1	50101730	Wheel - Spoked 16"
5	1	50103012	QR Skewer for wheel

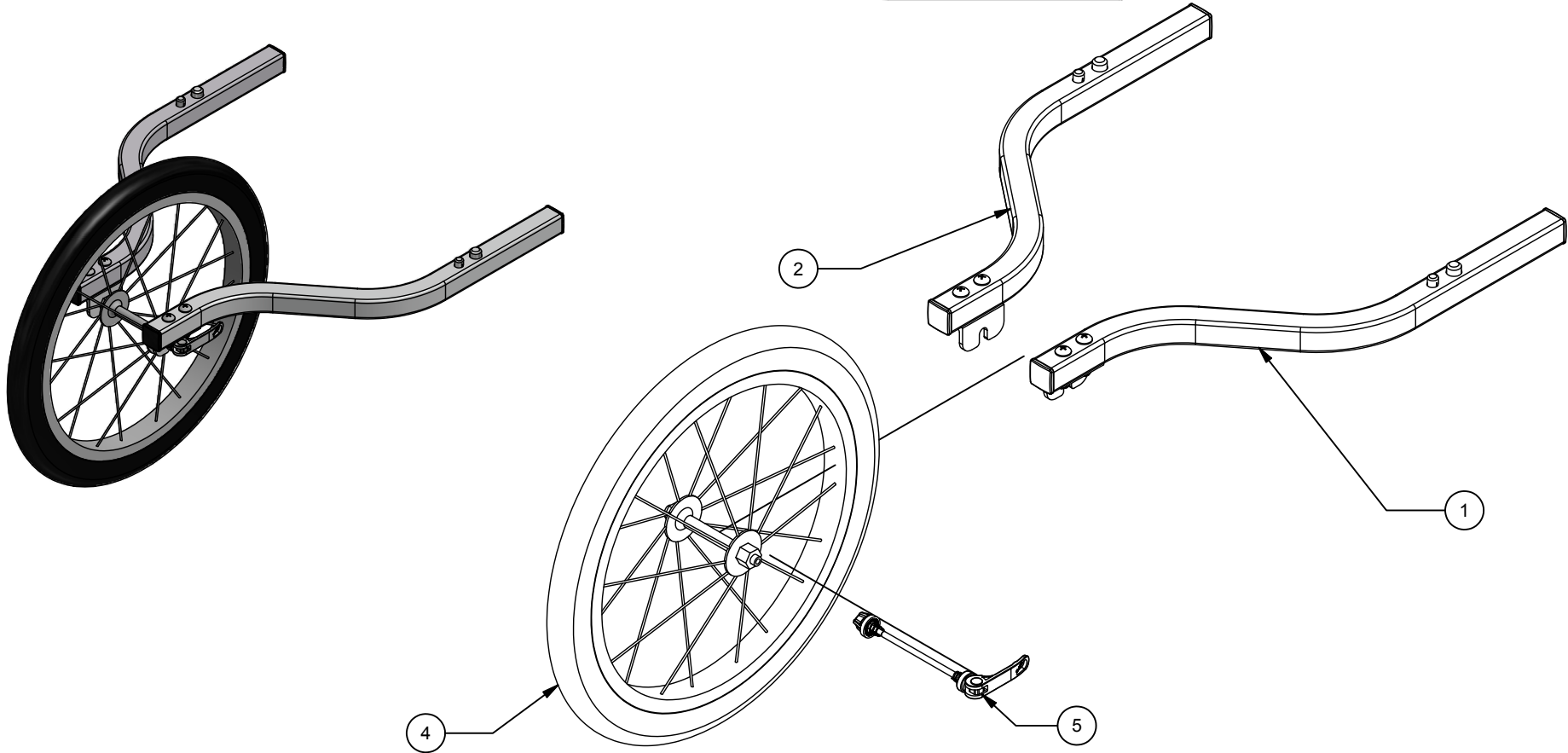
PART NUMBER 40101046		SHEET 1 OF 1	
REV	ECO NUMBER	DATE	INITIAL
A	2011-49	05/17/11	KM
B	2012-73	10/12/12	GF

A-B: Updated drawing template and description.



B

B



A

A

NOTE:
1. Verify fit, assembly and function on a carrier

THIS PRINT IS THE CONFIDENTIAL AND PROPRIETARY PROPERTY OF THULE CHILD TRANSPORT SYSTEMS LTD. THE REPRODUCTION OF THIS PRINT, MANUFACTURE OF THE ITEM DESCRIBED HEREON, OR THE DISCLOSURE OF THE SAME IS FORBIDDEN WITHOUT THE EXPRESSED WRITTEN CONSENT OF THE OWNER

MATERIAL N/A
CONDITION N/A
FINISH N/A

UNLESS OTHERWISE SPECIFIED ALL DIMENSIONS ARE IN MILLIMETERS
 PERPENDICULAR SURFACES TO BE SQUARE WITHIN .03
 TOTAL RUNOUT WITHIN .08 ON COMMON DIAMETERS
 ALL DRILLED HOLES TO BE MAX 0.2 mm OVERSIZED
 REMOVE SHARP EDGES .15 MAX
 FILLETS R.15 MAX
 ANGLES ±0°30'
 ALL MACHINED SURFACES
 64 MICRO INCHES

TOLERANCE: DECIMAL
 X = ± 1 mm
 .X = ± .5 mm
 .XX = ± .2 mm

DRAWN KMENDES
DATE 5/17/11
DESCRIPTION Jogging Kit Assembly - CGR1/CHE1

PART NUMBER
40101046

2



1