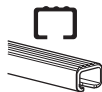
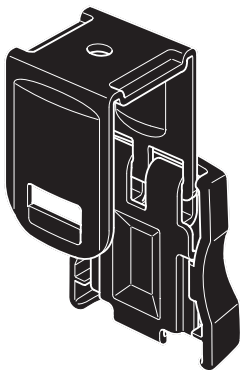


## SquareBar Adapter 8897

# > Instructions

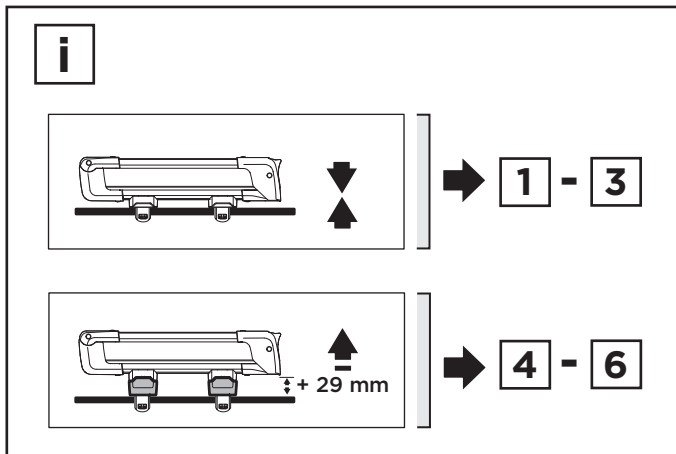
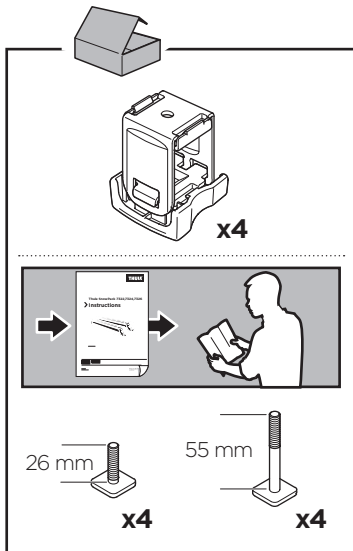


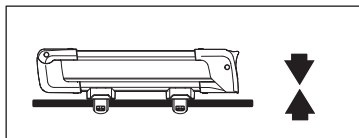
Thule SquareBar

---

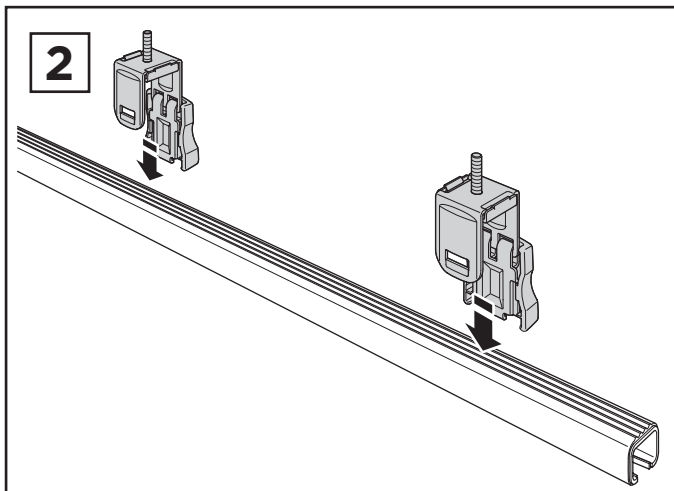
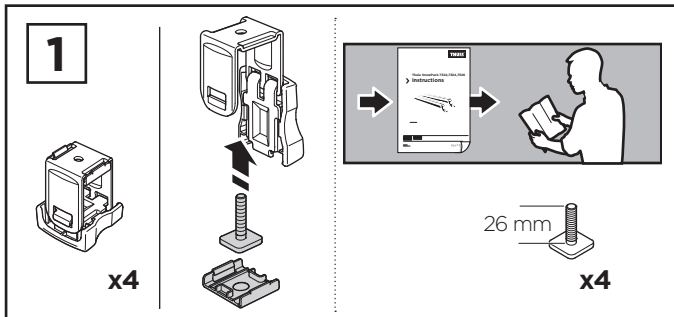
**889700**

A6.20150410  
501-8074-01

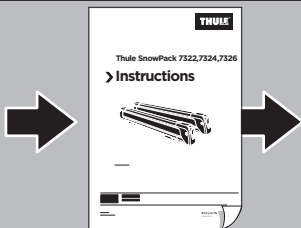
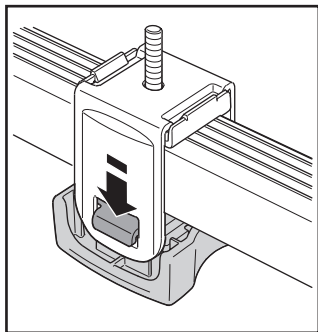
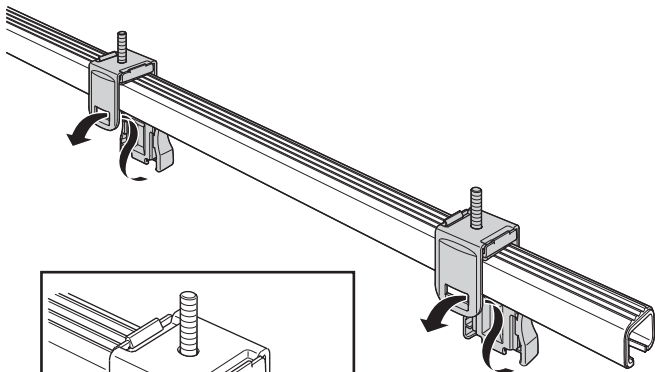


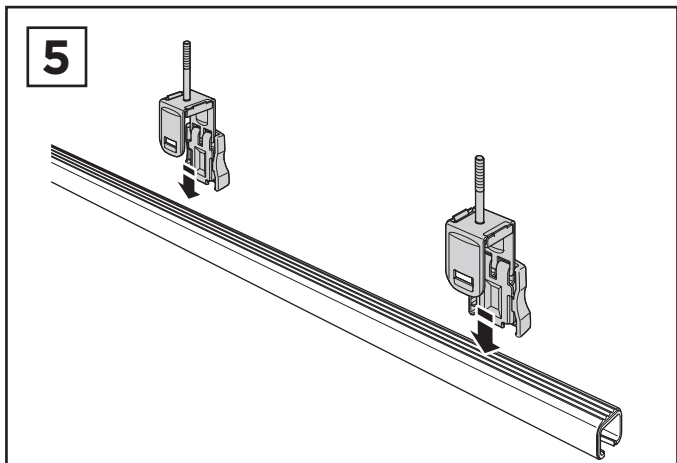
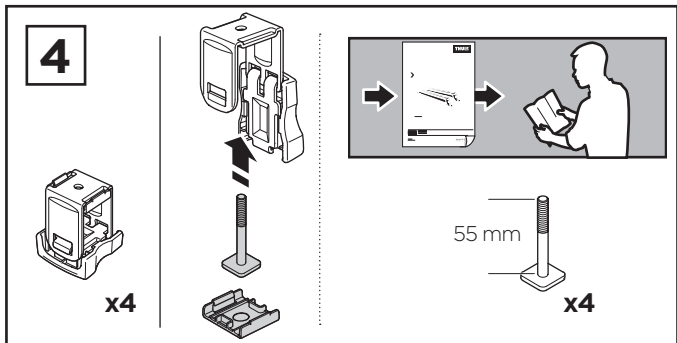
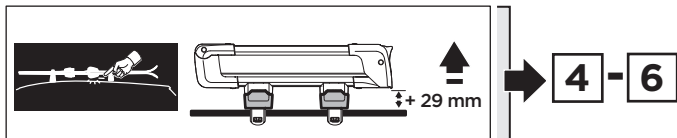


**1 - 3**

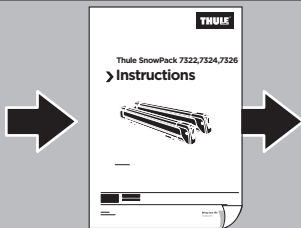
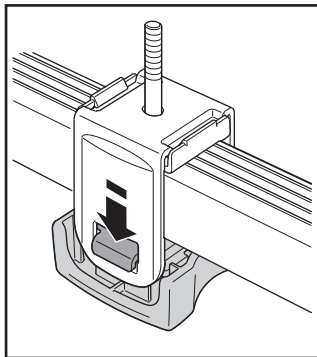
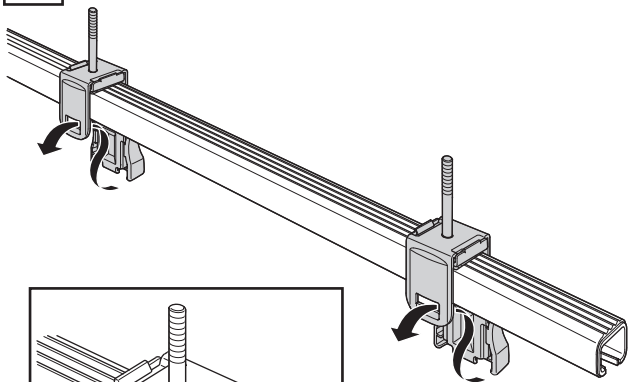


3





6







[www.thule.com](http://www.thule.com)



[info@thule.com](mailto:info@thule.com)



Thule Sweden AB, Box 69, 330 33 Hillerstorp, SWEDEN

501-8074-01