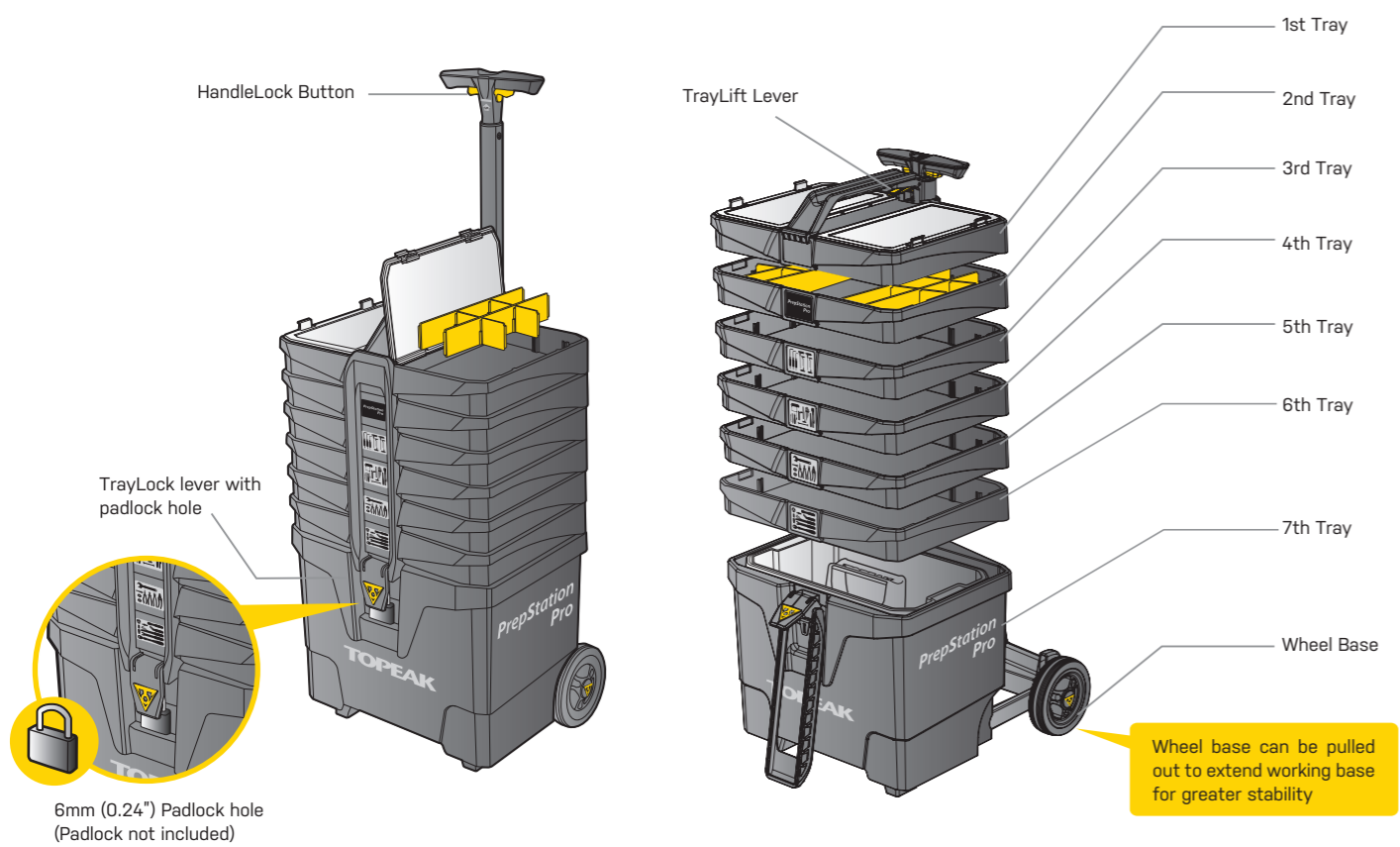
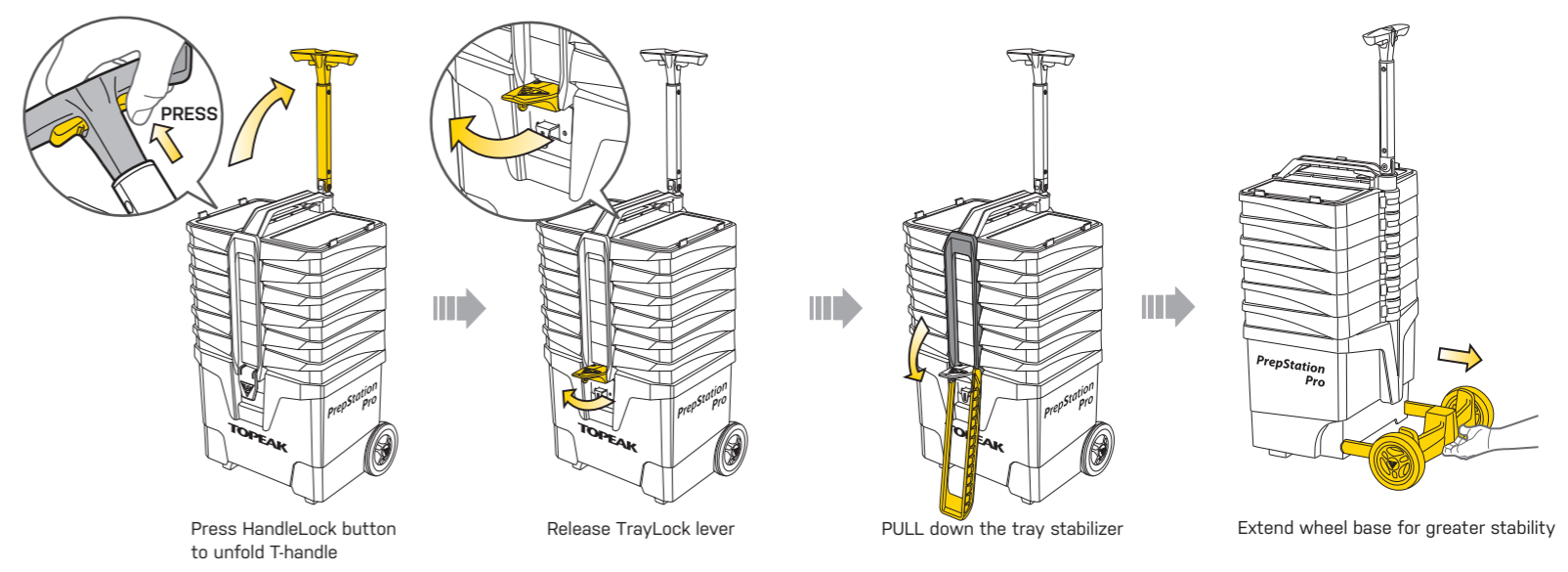




GB



OPERATION OF PREPSTATION PRO



2nd Tray

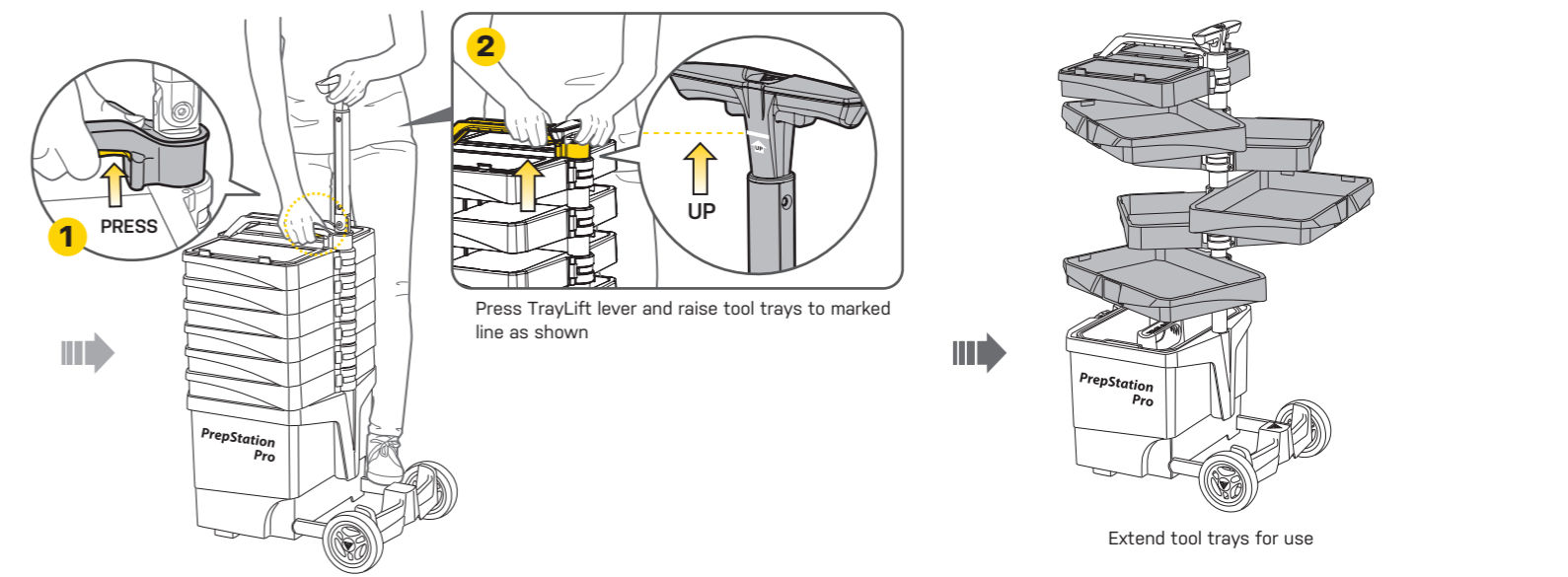
Tools	specifications	Art no.
Magnetic Tool Tray		TPS-MT01

3rd Tray

Tools	specifications	Art no.
T-Handle DuoHex Wrench Set	2/2.5/3/4/5/6 mm	TPS-SP01
DuoHex Tool	6 mm	TPS-SP02
DuoHex Tool	8 mm	TPS-SP03
DuoHex Tool	10 mm	TPS-SP04

4th Tray

Tools	specifications	Art no.
Torx® Wrench Set	T7/ T9/ T10/ T15/ T20/ T25/ T27/ T30	TPS-SP05
Quad Driver	4/6 mm flat head & #1/ #2 Phillips	TPS-SP06
ComboTorq Wrench & Bit Set	Torque Range : 3-12 Nm with 3/4/5/6 mm & T25 tool bits	TPS-SP07
Chain Hook & Wear Indicator		TPS-SP09
8/10 mm Double Open End Spanner	8/10 mm	TPS-SP27
T25 DuoTorx® Wrench		TPS-SP34
All Speeds Chain Tool	For multi speed chain up to 11 speed hollow pin chains	TPS-SP41
Shuttle Lever Set	1 pc long/ 2 pcs short	
7mm Spanner		TPS-SP43
PocketShock DXG (Optional)		TPSMB-DX



5th Tray

Tools	specifications	Art no.
Chaining Nut Wrench		TPS-SP11
PowerLink Pliers	For easy release of master links	TPS-SP12
DuoSpoke Wrench	13G/ 4.3 mm	TPS-SP13
DuoSpoke Wrench	14G/ 15G	TPS-SP14
DuoSpoke Wrench	M7/ M9	TPS-SP15
Cable & Housing Cutter		TPS-SP16
Needle Nose Pliers		TPS-SP29
Side Cutting Pliers		TPS-SP30
Adjustable Spanner	adjust 0-35 mm	TPS-SP36

6th Tray

Tools	specifications	Art no.
Cartridge Bottom Bracket Tool		TPS-SP18
Universal Crank Puller		TPS-SP19
Pedal Wrench 15mm	15 mm open end wrench	TPS-SP20
Chain Whip/Sprocket Remover		TPS-SP21
Hydraulic Caliper Press	Fits all hydraulic disc brakes	TPS-SP23
RotorTru	Truing disc rotor	TPS-SP24
1/2" Driver Extendable Ratchet		TPS-SP37
External Bottom Bracket Tool		TPS-SP38
Freewheel Remover		TPS-SP39

7th Tray

Tools	specifications	Art no.
Threadless Nut Setter	for installing star-flanged nut with 1-1/8" threadless head set system	TPS-SP25
Threadless Saw Guide		TPS-SP26
Half Round Rasp		TPS-SP31
Rubber Mallet		TPS-SP32
Sprocket Clean Brush		TPS-SP33
BucketSeat		TPS-SP46

OPTIONAL ACCESSORIES



WARRANTY

2-year Warranty: All mechanical components against manufacturer defects only.

Warranty Claim Requirements

To obtain warranty service, you must have your original sales receipt. Items returned without a sales receipt will assume that the warranty begins on the date of manufacture. All warranties will be void if the product is damaged due to user crash, abuse, system alteration, modification, or used in any way not intended as described in this manual.

* The specifications and design are subject to change without notice.

Please contact your Topeak dealer with any questions.

For USA customer service call : 1-800-250-3068
www.topeak.com

* Campagnolo® is a registered trademark of Campagnolo S.r.l.
* Teflon® is a registered trademark of DuPont.
* Mavic® is a registered trademark of SALOMON S.A.
* Shimano® is a registered trademark of Shimano® Inc.
* Torx® is a registered trademark of the Camcar Corp. division of Textron Inds.
* Octalink® is a registered trademark of Shimano Inc.



DuoSpoke Wrench Art no. TPS-SP13-15

13G (3.5mm) Shimano® (4.3mm)
DuoSpoke Wrench (13G/ 4.3 mm)
Art no. TPS-SP13

14G (3.4mm) 15G (3.2mm)
DuoSpoke Wrench (14G/ 15G)
Art no. TPS-SP14

Mavic® M7 Mavic® M9
DuoSpoke Wrench (M7/ M9)
Art no. TPS-SP15

Threadless Saw Guide Art no. TPS-SP26

Preset

1.2mm Saw Guide Spacer
2mm Saw Guide Spacer
4mm Allen Key

Option 1
Option 2 For Carbon Saw Blade

1.2mm Saw Guide Spacer
2mm Saw Guide Spacer

Half Round Rasp Art no. TPS-SP31

Sprocket Clean Brush Art no. TPS-SP33 Chaining Nut Wrench Art no. TPS-SP11

Cable & Housing Cutter Art no. TPS-SP16

OPERATION OF CABLE & HOUSING CUTTER

A. B.

PowerLink Pliers Art no. TPS-SP12

OPERATION OF POWERLINK PLIERS

1 2 3 4 5

Threadless Nut Setter Art no. TPS-SP25

USING THREADLESS NUT SETTER

Rubber Mallet Art no. TPS-SP32

• Star nut not included

8/10mm Double Open End Spanner Art no. TPS-SP27



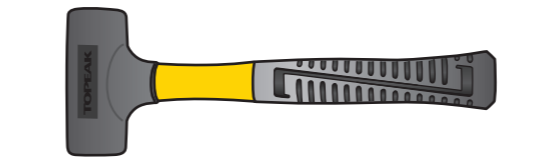
7mm Spanner Art no. TPS-SP43



Half Round Rasp Art no. TPS-SP31



Rubber Mallet Art no. TPS-SP32



Adjustable Spanner Art no. TPS-SP36



All Speeds Chain Tool Art no. TPS-SP41

Fits multi-speed chains, including Campagnolo® 11 speed.

HOW TO REPLACE CHAIN PIN

1. Chain Pin Breaker
2. Rivet Anvil of Hollow Pin
3. Chain Hook

Use Primary Chain Link Fence to install or remove chain pin. Use Secondary Chain Link Fence to loosen stiff links.

1. Press out old chain pin and replace with new chain pin.

2. Snap off new chain pin guide.

3. Press chain pin as little as possible to loosen the stiff link.

WARNING

1. When pressing in the chain pin, push down on the top of the chain to keep it fully engaged in the chain tool cradle. Make sure the press pin of the chain tool is centered against the chain pin.

2. Inspect chain rivet again and be sure chain links can bend freely after replacement.

MAINTENANCE

1. Lubricate and maintain tool with Teflon® based lubricant when needed.
2. To prevent rusting, keep tool dry.

INSTALLATION INSTRUCTION FOR CAMPAGNOLO® 11-SPEED HOLLOW CHAIN PIN

After pressing the special replacement pin into Campagnolo® 11-Speed chain and breaking off the guide portion, the break off end of the chain rivet is required to be peened to prevent chain failure.

1. 2. 3/4 Turn

Before After

Chain Hook & Wear Indicator Art no. TPS-SP09

CHAIN WEAR INDICATOR

1) Put "STEP 1" inside chain space and fully engage a roller

2) PRESS "STEP 2" on a roller

* STEP 2 * can't engage a roller → Chain in good condition

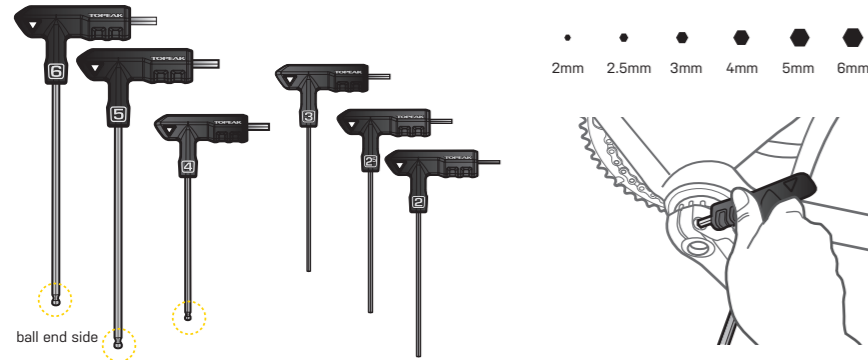
* STEP 2 * can fully engage a roller → Chain replacement required

CHAIN HOOK

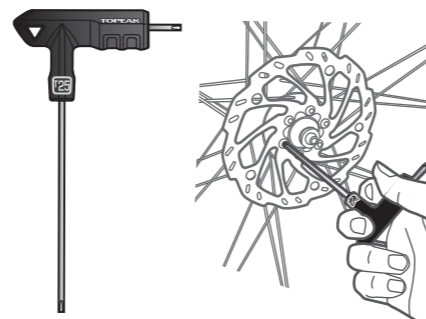


Note:
We strongly recommend use of a precise mechanical or digital torque wrench to tighten component bolts to manufacturer recommended torque values.

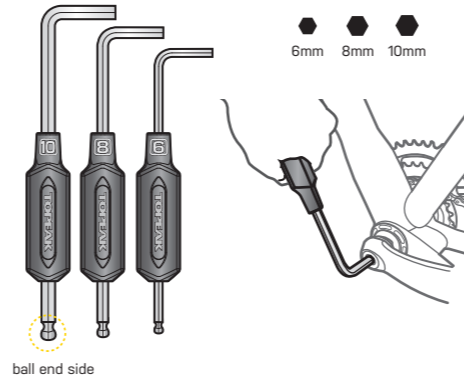
T-Handle DuoHex Wrench Set Art no. TPS-SP01



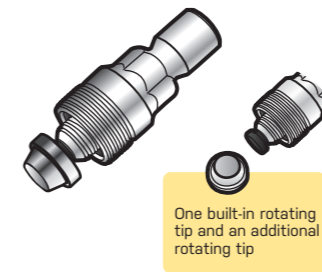
T25 DuoTorx® Wrench Art no. TPS-SP34



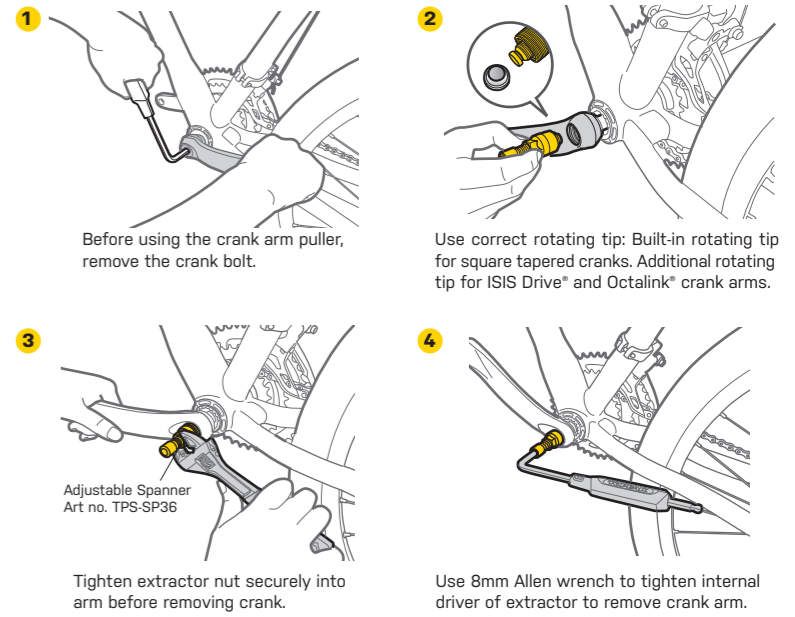
DuoHex Tool Art no. TPS-SP02-04



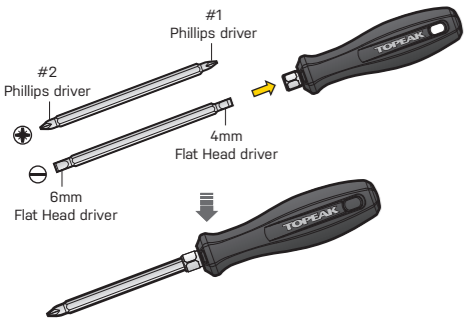
Universal Crank Puller Art no. TPS-SP19



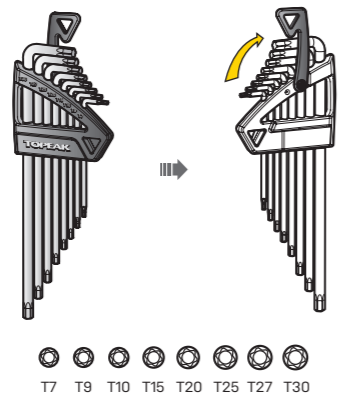
CRANK ARM REMOVAL



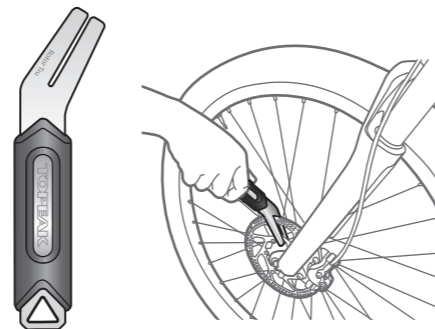
Quad Driver Art no. TPS-SP06



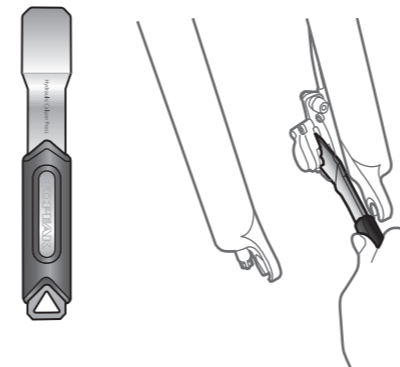
Torx® Wrench Set Art no. TPS-SP05



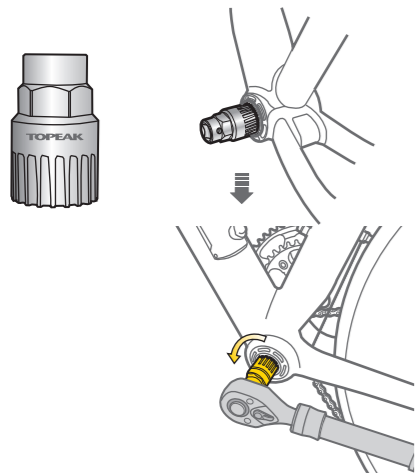
RotorTru Art no. TPS-SP24



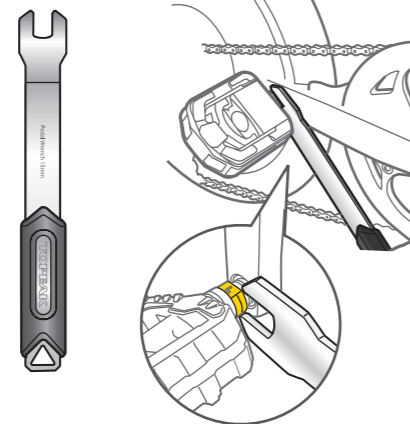
Hydraulic Caliper Press Art no. TPS-SP23



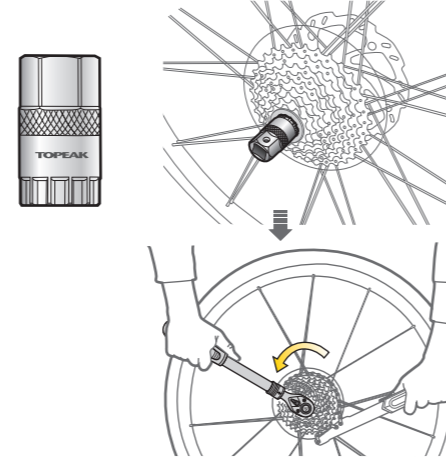
Cartridge Bottom Bracket Tool Art no. TPS-SP18



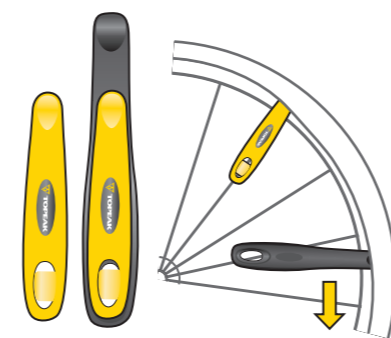
Pedal Wrench 15mm Art no. TPS-SP20



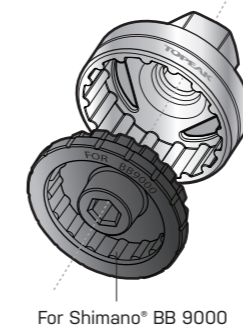
Freewheel Remover Art no. TPS-SP39



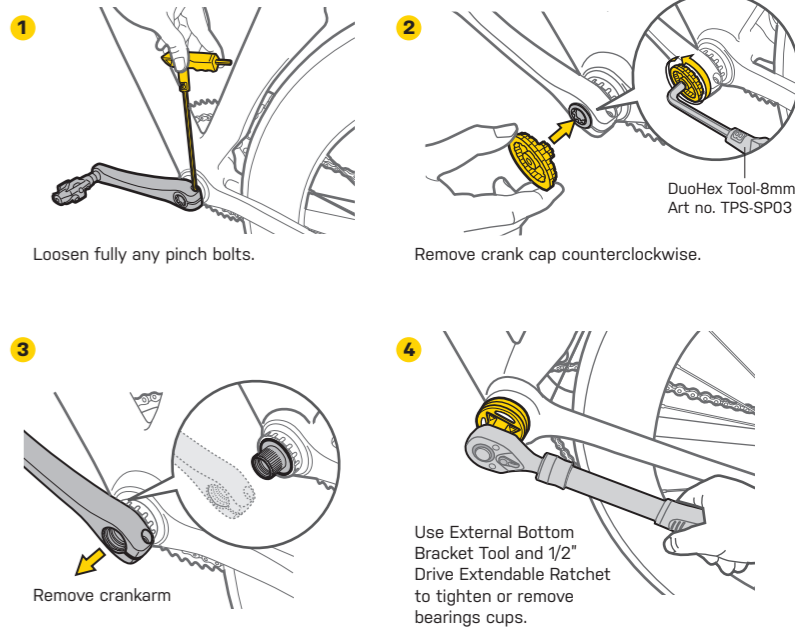
Shuttle Lever Set



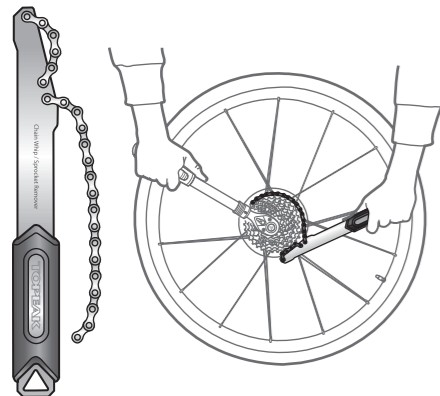
External Bottom Bracket Tool Art no. TPS-SP38



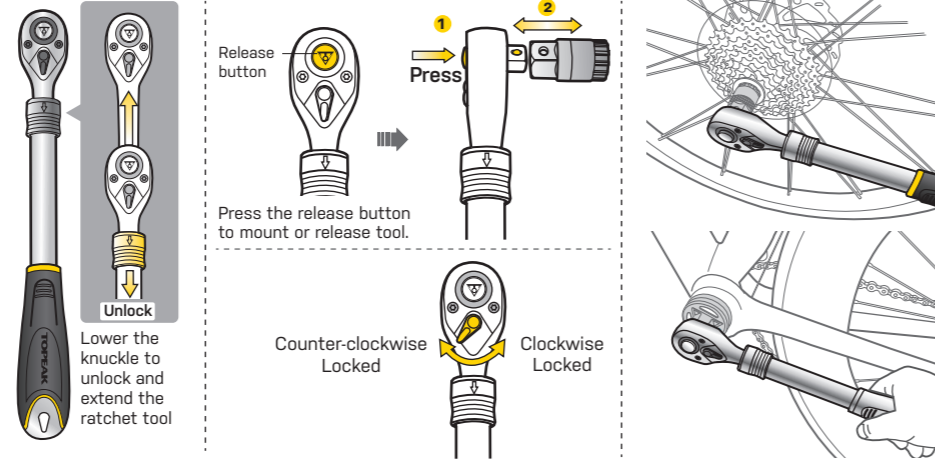
ADJUSTMENT/ DISASSEMBLY OF EXTERNAL BEARING BOTTOM BRACKET



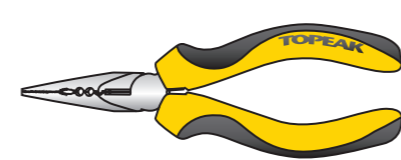
Chain Whip/Sprocket Remover Art no. TPS-SP21



1/2" Drive Extendable Ratchet Art no. TPS-SP37



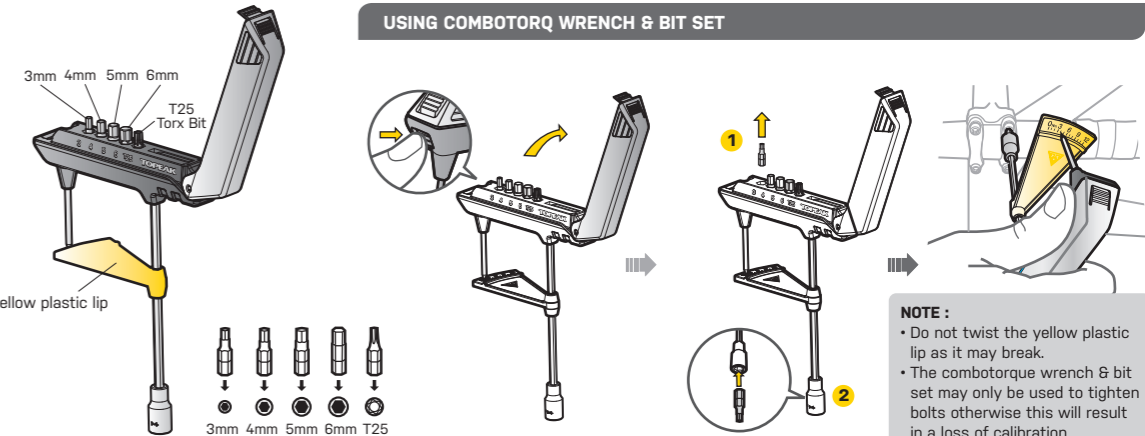
Needle Nose Pliers Art no. TPS-SP29



Side Cutting Pliers Art no. TPS-SP30



ComboTorq Wrench & Bit Set Art no. TPS-SP07



NOTE:
• Do not twist the yellow plastic lip as it may break.
• The combotorque wrench & bit set may only be used to tighten bolts otherwise this will result in a loss of calibration.