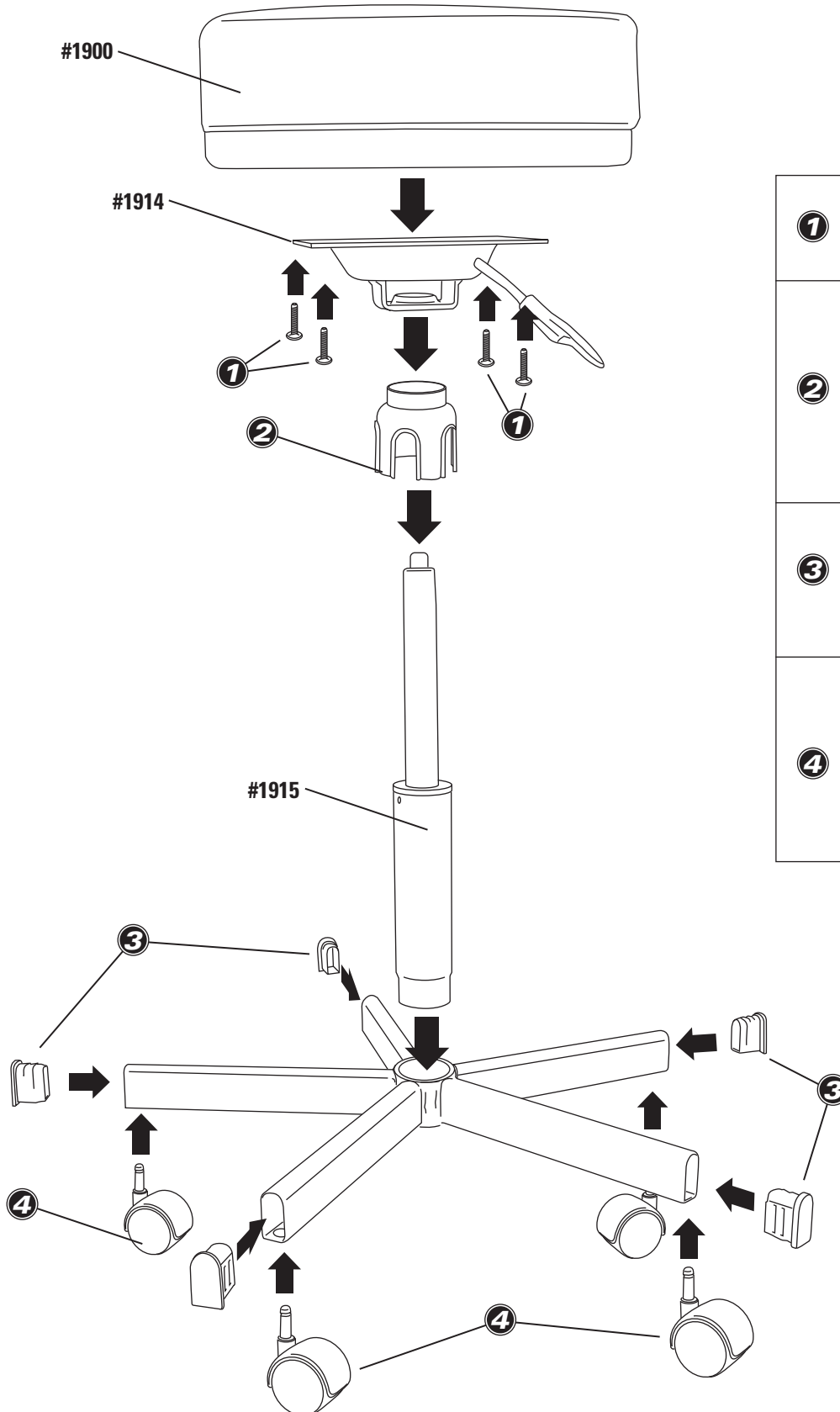
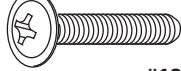
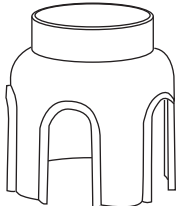
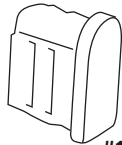
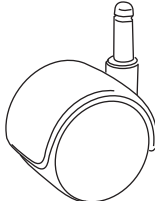




# STL-2 Rolling Adjustable Height Stool

Park Tool Co. 5115 Hadley Ave. N., St. Paul, MN 55128 (USA) www.parktool.com



①		x4
	#1901	
②		x1
	#1911	
③		x5
	#1912	
④		x5
	#1913	