

# Sidekick™ Doublewide Decks

## Weight Limits

⚠ Do not exceed 50 kg (110 lbs) per deck

## Safety

### Check Max Gross Vehicle Weight Limits

⚠ Maximum gross vehicle weight is the total weight of the bike, rider, passenger(s), accessories, and cargo. Please follow and check the GSD manual for information about maximum gross vehicle weight. Most riders can comfortably carry 80% of their weight. You should determine if you are comfortable carrying that much weight.



- **Bicycle:** Weight of the bike plus batteries
- **Rider(s):** Weight of the cyclist and any passengers
- **Cargo:** Weight of all loads, excluding riders and passengers. Do not exceed 50 kg (110 lbs) per deck.

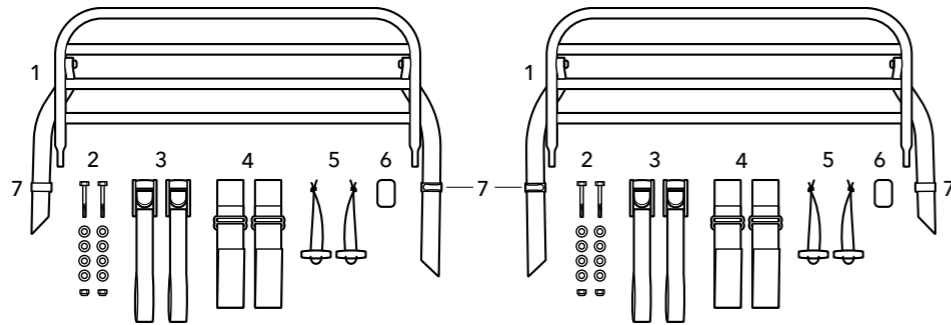
⚠ When loading the Sidekick Doublewide Decks, check that the cargo & its weight is distributed evenly across the entire surface of the decks and between the Cargo Straps. Cargo that is loaded on the decks should be placed in the middle and not towards the outer edge or the front or back of the deck.

⚠ Please check that the deck is level and that all cargo is secured before riding. Take care that all straps are tied down and any loose item is secured.

To learn more about using the Sidekick Doublewide Decks for carrying cargo and passengers, visit <https://www.ternbicycles.com/support>

## What's Included

1. Doublewide Deck x 2
2. Bolt Set x 4
3. Cargo Strap x 4
4. Passenger Strap x 4
5. Guide Cord x 4
6. Sticker x 2
7. Clip



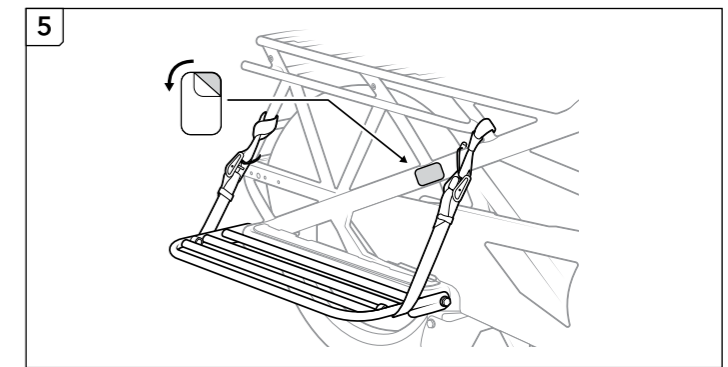
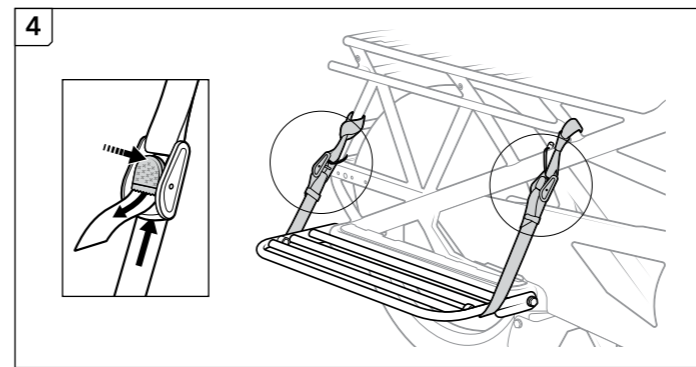
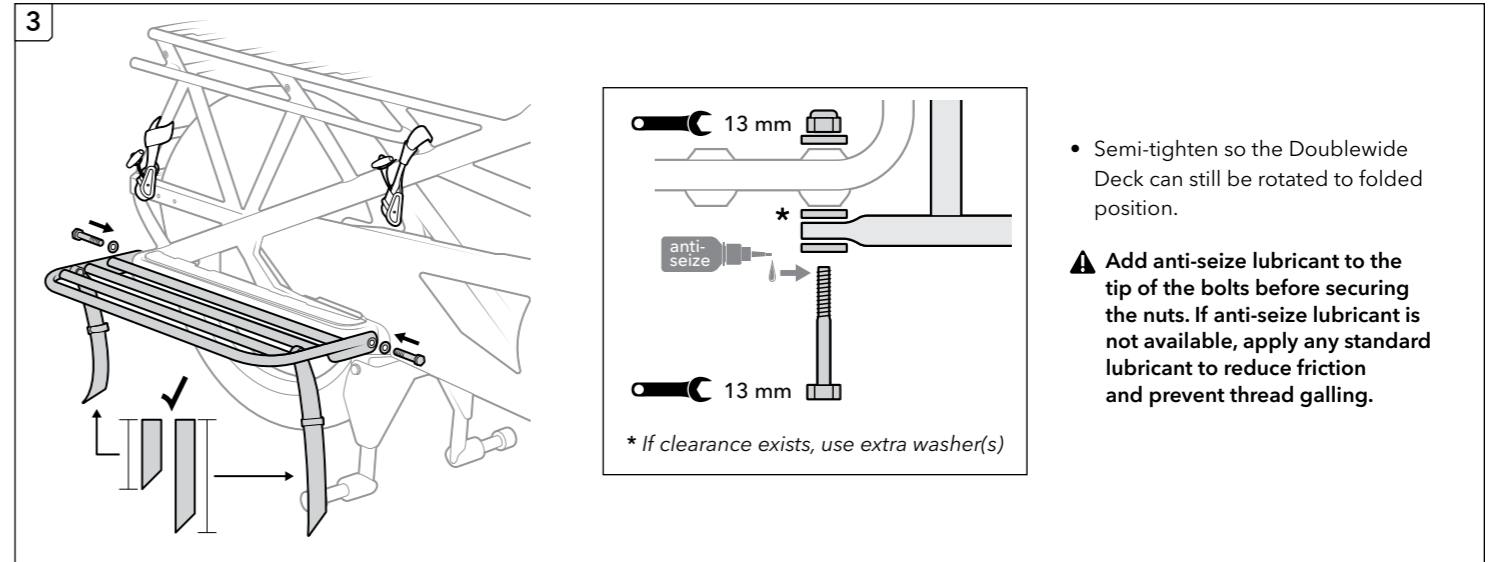
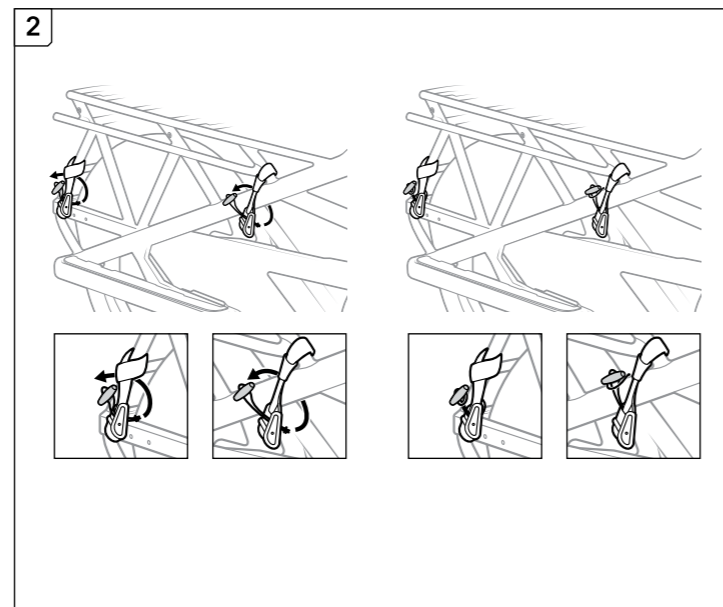
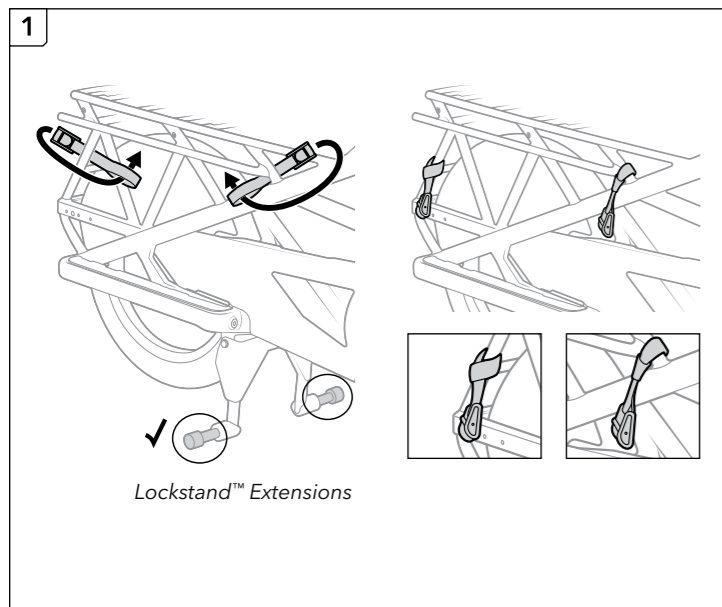
## Installation

### Tools Required (Not Included)

- 13 mm Open-End Wrench x 2

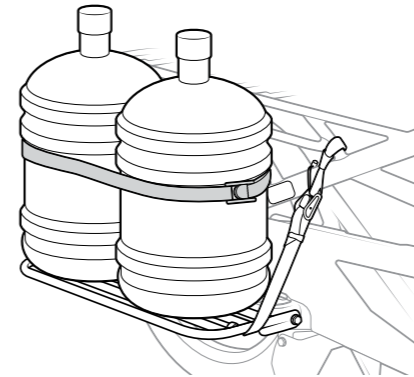


⚠ Installation of Lockstand Extensions is also required to ensure the safe use of the Sidekick Doublewide Decks.



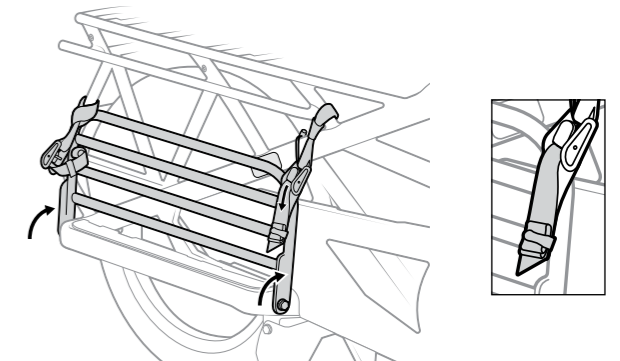
## Carrying Cargo

⚠ Properly secure cargo with a strap. Heavy-duty straps with a cam buckle closure are recommended.



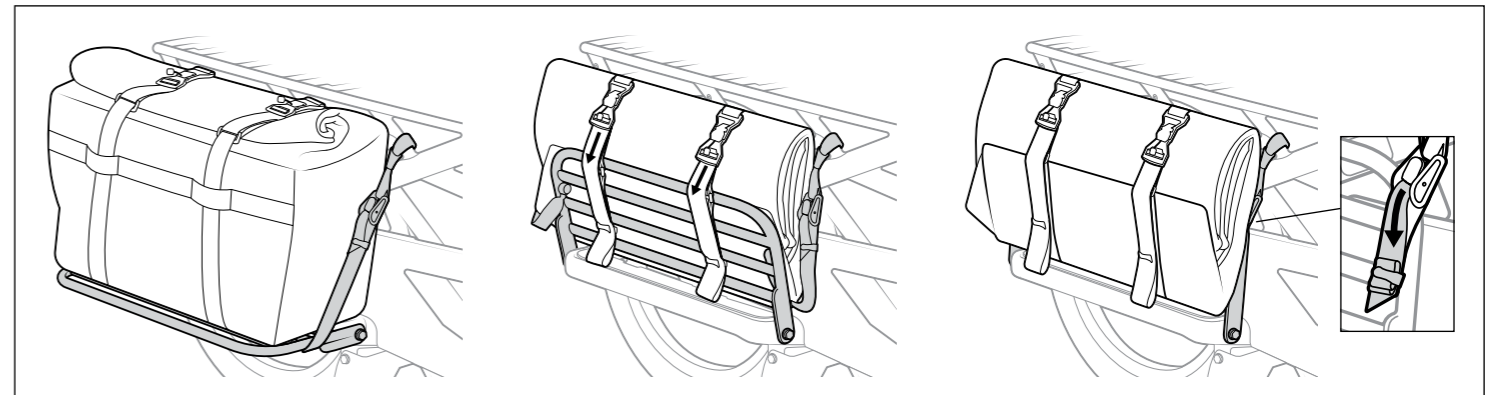
## Folding

⚠ Tighten the front Cargo Strap to secure folded position.



⚠ Use Clips to secure the Strap ends.

## Using with Cargo Hold™ 52 Panniers



## Carrying Rear Passengers

In order to safely transport rear passengers, please check the following points and ensure your bike is equipped with the proper accessories.

### Check Local Regulations

⚠ It may be illegal to carry passengers on a bike in your area even if it has been designed or configured to do so. Check your local regulations before carrying passengers.

### Check Max Gross Vehicle Weight Limits

⚠ Please follow and check your bike's manual for information about maximum gross vehicle weight. (*Maximum gross vehicle weight is the total weight of the bike, rider, passenger, accessories, and cargo.*) Most riders can comfortably carry 80% of their weight. You should determine if you are comfortable carrying that much weight.

### Wear a Helmet

Rider and rear passenger(s) are strongly advised to wear an approved helmet.

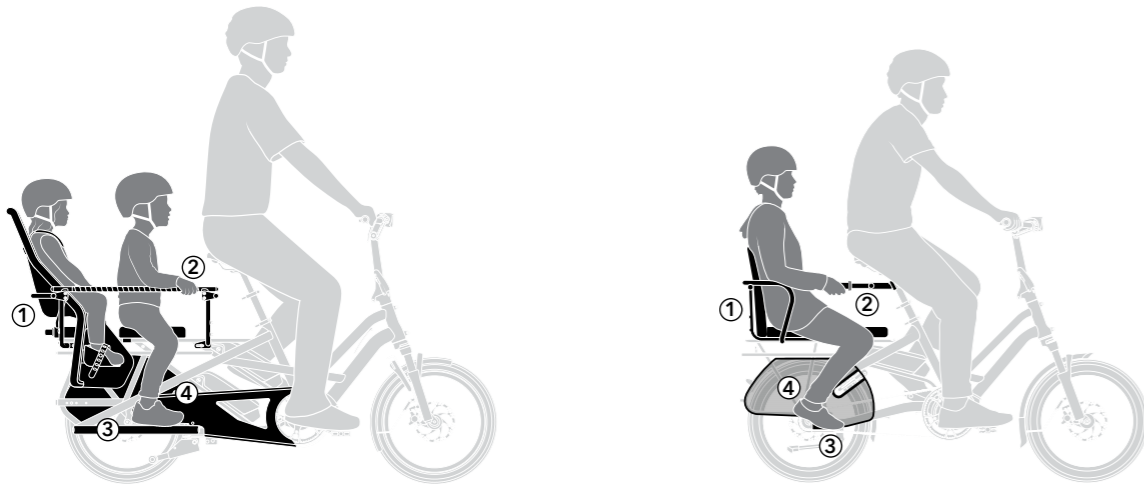
### Do NOT Leave Children Unattended

Do not allow your children to climb onto the bike nor leave your children unattended on the bike, even if it is on the kickstand. Wriggling children can upset the balance of the bike and a fall may result in serious injuries.

### Use Proper Equipment

⚠ The bike needs to have the following accessories installed in order to safely transport rear passenger(s).

- |   |   |
|---|---|
| 1. <b>Seating.</b> Purpose-built rear seating, chosen according to the passenger's needs  | 3. <b>Foot support.</b> Fixed platforms or dedicated foot pegs on both sides of the bike                        |
| 2. <b>Handhold.</b> Something for the passenger to hold on to, other than the bike itself | 4. <b>Foot and leg protection.</b> Something to prevent feet and legs from getting caught in the spinning wheel |



The illustrations above show a mix of suggested gear to safely carry passengers. Your combination of passenger accessories may differ depending on your needs. To learn more about to safely carry passengers on your bike, visit [ternbicycles.com/support](https://ternbicycles.com/support).

### Follow Installation Procedures

Check to ensure accessories have been correctly installed and securely fastened before riding.

### Use Accessories Properly

Our seating accessories are strictly for sitting. Using them to lift the bike will damage the frame and accessory.

Our rear handhold accessories are strictly for passengers to hold. Adding substantial weight on the top of or using the rear passenger handlebars to lift the bike will cause undue stress on the seatpost and handlebar.

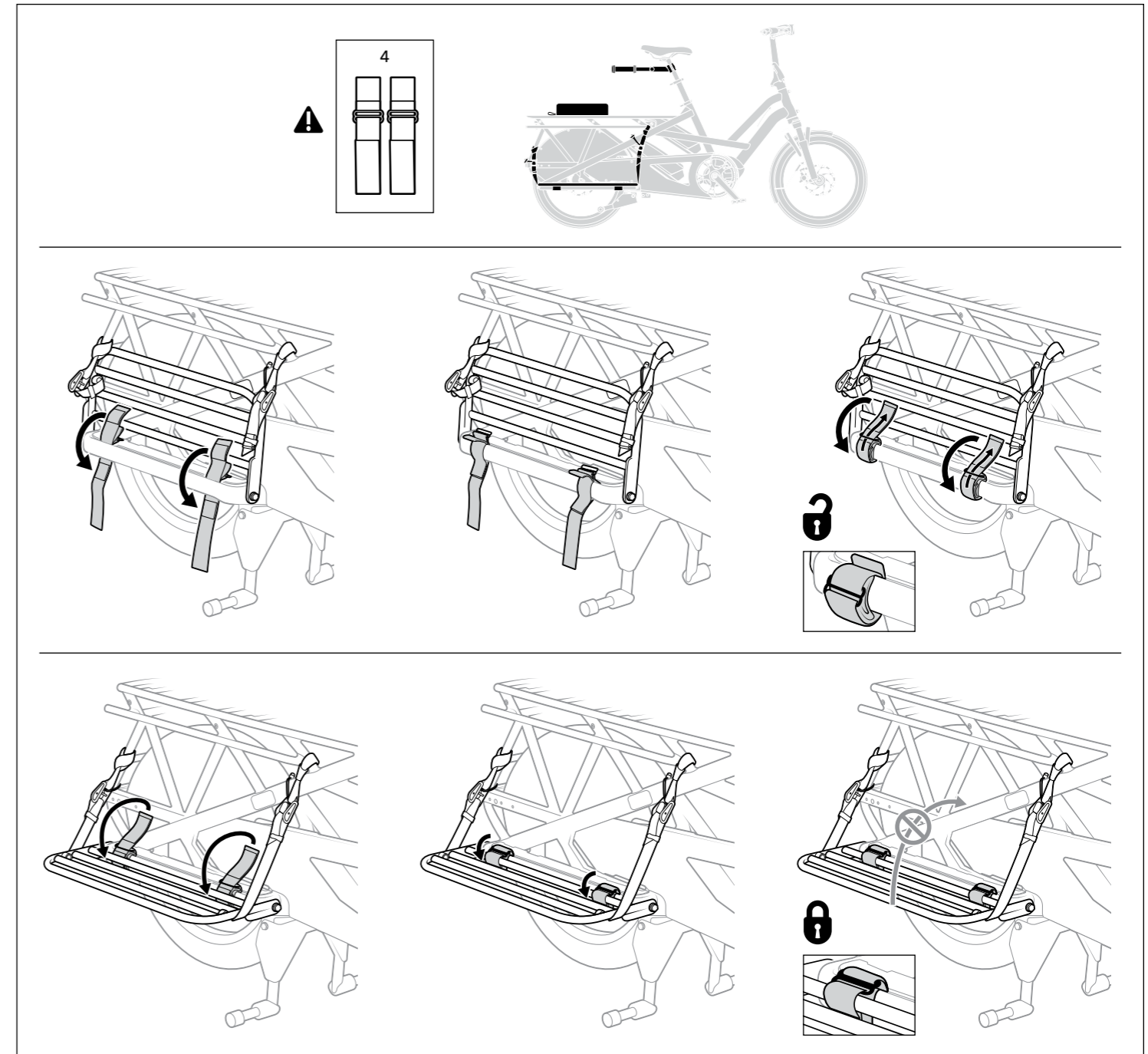
Our foot support accessories are strictly for passenger use when SEATED. Standing on them is unsafe and may permanently damage the frame.



Scan to view available passenger seating accessories

## Carrying Rear Passengers

⚠ Make Sure the Doublewide Deck is locked with the Passenger Straps before riding with a passenger.



## Caring

⚠ Inspect Cargo Straps periodically for signs of wear. Replace if fraying or damage is noticed.

LIMITED PRODUCT WARRANTY INFORMATION: This Product comes with a ONE (1) YEAR Limited Warranty from the date of retail purchase by the original end-user. If a material or workmanship defect arises and a valid claim is received within the Warranty Period, this Product will be replaced. Mobility Holdings cannot be held liable for damages to personal property due to misuse or improper care and maintenance. This Product Warranty does not, under any circumstance, cover the replacement or cost of any third party product used with or connected to the Product.

Tern, the Tern Werd (logotype), the Tern Berd (device), GSD, Cargo Hold, Lockstand, and Sidekick used alone or in combination are trade names, trade devices or registered trademarks of Mobility Holdings, Ltd.

© 2021 Mobility Holdings, Ltd.

[f](#) [t](#) [i](#) @ternbicycles

[ternbicycles.com](https://ternbicycles.com)