

# Impact socket 3/8", 6 point

230/4 6p



## Profiles

---



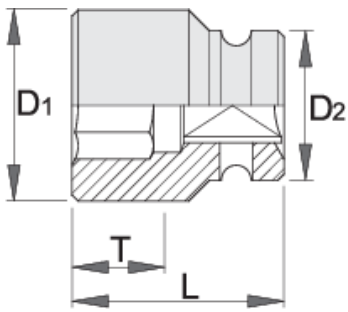
## Standards

---

DIN 3129, ISO 2725 - 2

## Product features

- material: premium flex chrome vanadium steel
- drop forged, entirely hardened and tempered
- surface finish: phosphated to standard ISO 9717
- made according to standard ISO 2725-2 (only metric dimension)



Barcode	mm	D2	D1	L	T	Weight
612060	8	19	13.8	30	8	45
612062	10	19	16	30	8	45
612063	11	19	17.5	30	9	45
612064	12	19	19	30	9	45
612065	13	22	20	30	9	61
612066	14	22	21	30	9	55
612067	15	22	22	30	11	58
612069	17	22	25	30	11	65
612070	18	22	26	30	11	69
612071	19	22	27.5	30	11	66
612073	21	22	30	30	13	73
612074	22	23	32	30	13	86

\* Images of products are symbolic. All dimensions are in mm, and weight in grams. All listed dimensions may vary in tolerance.

### Safety (pictures)

