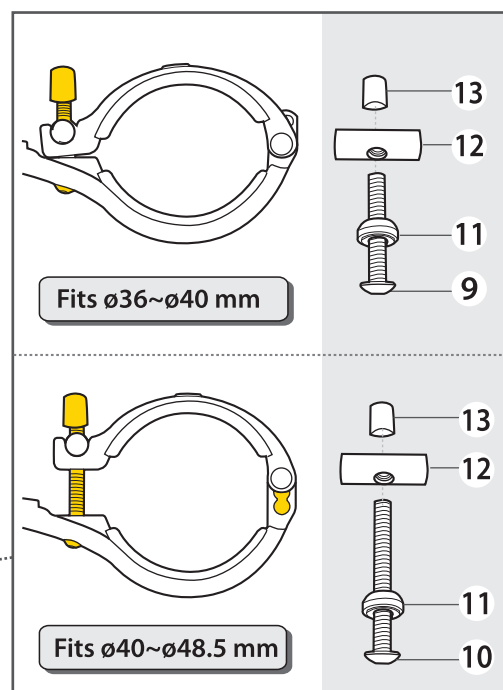


Max. Tire Dim. : 26"x2.6"

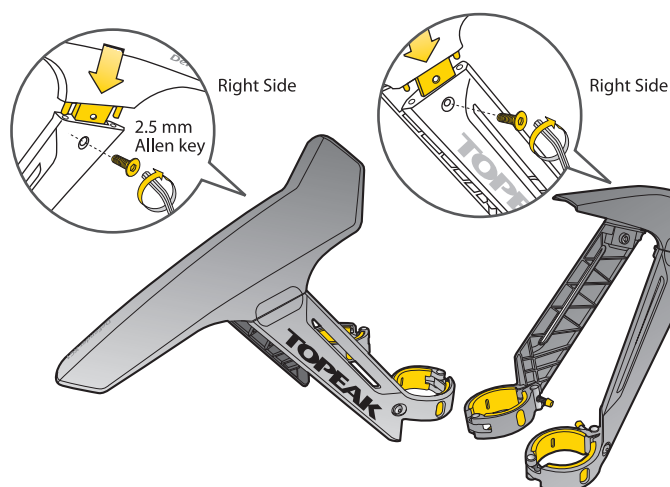
Tool required: 2.5 mm Allen key



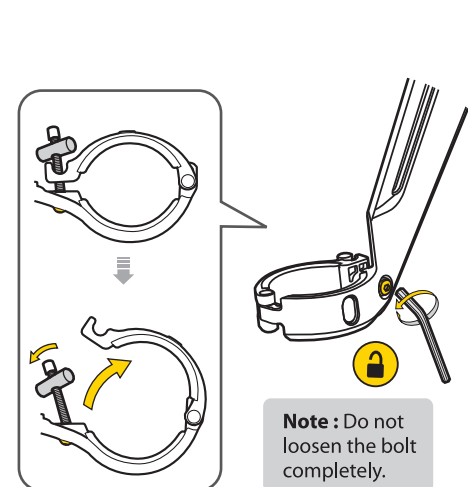
<b>1</b>	<b>2</b>	<b>3</b>	<b>4</b>	<b>5</b>	<b>6</b>	<b>7</b>	<b>8</b>
Front	Rear	Front Legs	Rear Legs	M4X12mm Bolt	Sticker x 2pcs (each)	Indicator Card	2.5 mm Allen key
<b>IMPORTANT NOTE</b>							
<b>9</b>	<b>10</b>	<b>11</b>	<b>12</b>	<b>13</b>			
M4X25mm Bolt (Fits ø36~ø40 mm)	M4X40mm Bolt (Fits ø40~ø48.5 mm)	Plastic Washer	Nut	End Cap			

### INSTALLATION

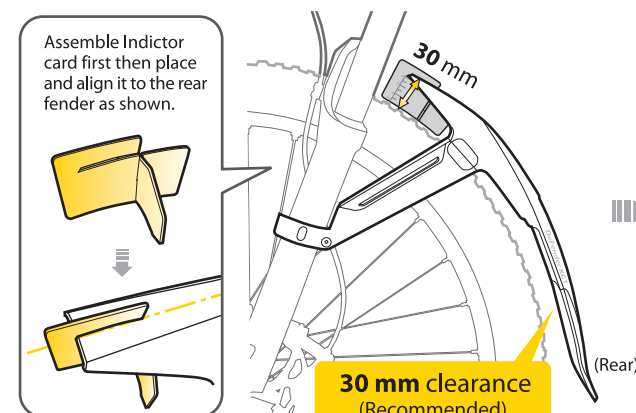
1. Use M4 x 12 mm bolts to lock the fender legs on fenders as shown.



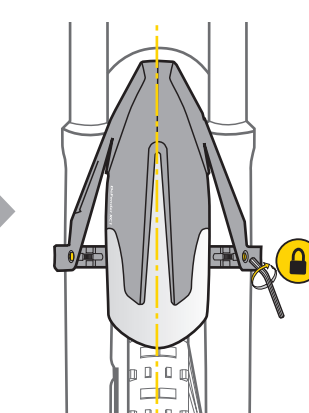
2. Loosen tension bolt on four fender legs.



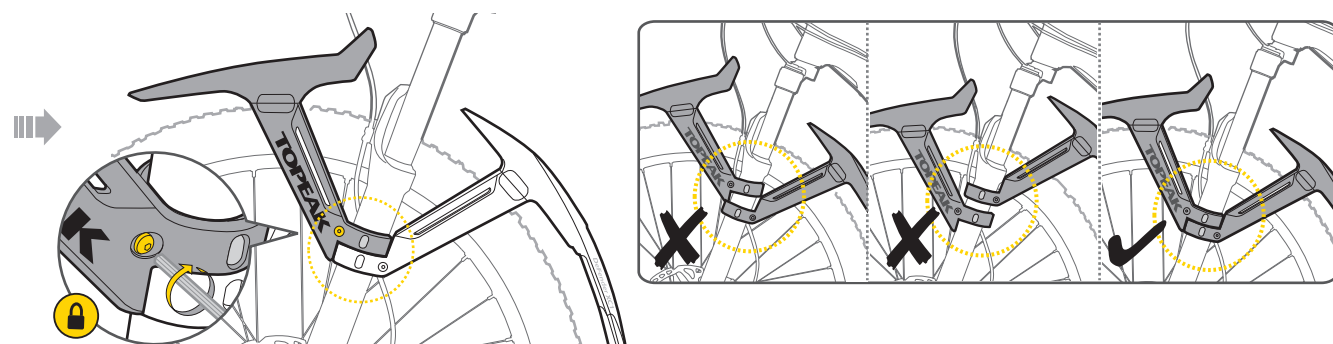
3. Install the rear fender to the fork legs and DO NOT tighten the tension bolts completely. Place the Indicator Card to the fender and adjust fender to make sure there is at least 30 mm clearance between fender and tire as shown.



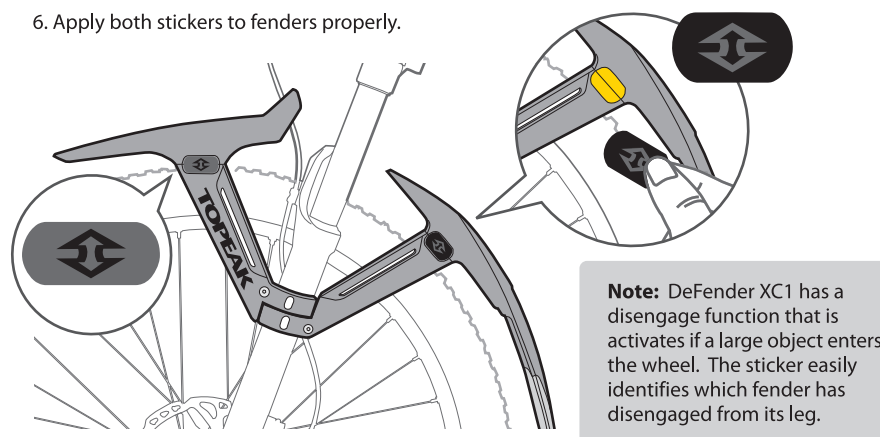
4. Make sure the rear fender is aligned with tire. Tighten both tension bolts and remove the Indicator Card.



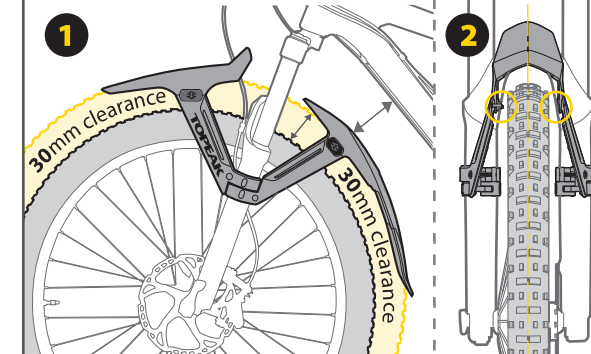
5. Install the front fender legs right on the top of rear fender's properly as shown. Tighten both tension bolts.



6. Apply both stickers to fenders properly.



### WARNING

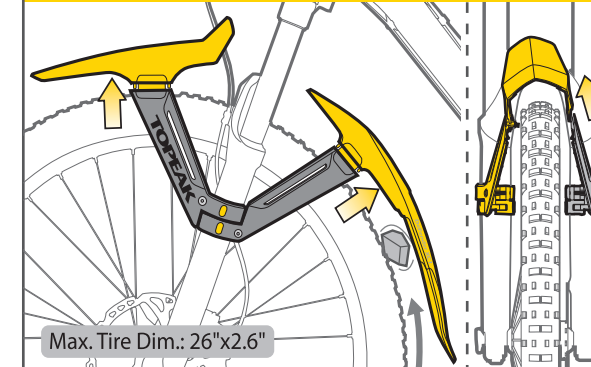


1. To avoid from hitting the downtube with the rear fender at full fork compression, it is recommended to maintain a 30 mm clearance between the rear fender and tire. Exceeding 30 mm may cause damage to the bike.

2. Make sure there is adequate clearance between the fenders and tire width to avoid damaging your bike or fenders.

3. Insure properly adjusted fenders after each installation. Make sure there is enough clearance between fenders, tire and downtube.

### IMPORTANT NOTE



### WARRANTY

2-year Warranty: All mechanical components against manufacturer defects only.

#### Warranty Claim Requirements

To obtain warranty service, you must have your original sales receipt. Items returned without a sales receipt will assume that the warranty begins on the date of manufacture. All warranties will be void if the product is damaged due to user crash, abuse, system alteration, modification, or used in any way not intended as described in this operating manual.

\* The specifications and design are subject to change without notice. Please contact your Topeak dealer with any questions. For USA customer service call : 1-800-250-3068 [www.topeak.com](http://www.topeak.com)