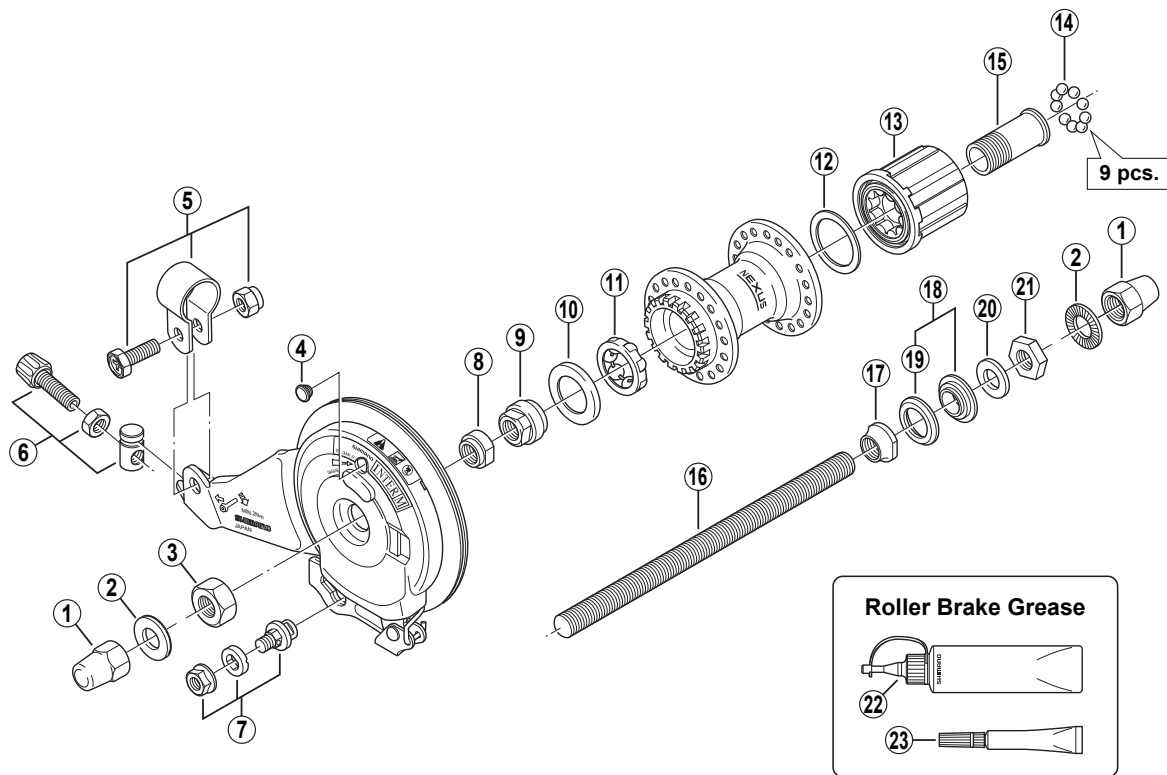


NEXUS FREEHUB w/Hi-Power Roller Brake

**FH-IM40-NT** Freehub for 7-Speed

**BR-IM41-R** Inter-M Brake



ITEM NO.	SHIMANO CODE NO.	DESCRIPTION
1	Y-314 14200	Cap Nut (M10)
* 2	Y-220 06040	Washer (3.2 mm)
3	Y-75V 13030	Brake Unit Fixing Nut (8.2 mm)
* 4	Y-75F 11000	Grease Hole Cap
* 5	Y-75M 98050	Brake Arm Clip Unit (φ 15 mm)
* 5	Y-33F 98090	Brake Arm Clip Unit (5/8")
* 5	Y-75M 98060	Brake Arm Clip Unit (11/16")
* 5	Y-33F 98100	Brake Arm Clip Unit (3/4")
* 6	Y-75P 98120	Brake Cable Adjusting Bolt Unit (Standard/Black)
* 6	Y-75P 98080	Brake Cable Adjusting Bolt Unit (DX spec./Silver)
* 7	Y-75P 98100	Inner Cable Fixing Bolt Unit (Standard/Black)
* 7	Y-75M 98070	Inner Cable Fixing Bolt Unit (DX spec./Silver)
* 8	Y-31Z 0601R	Lock Nut for Left Hand Cone (M10)
9	Y-31Z 05010	Left Hand Cone (M10)
10	Y-31Z 07000	Left Hand Dust Cap
11	Y-321 90220	Ball Retainer (1/4" x 7)
12	Y-375 04000	Freewheel Body Washer
13	Y-3AP 98020	Complete Freewheel Body w/Right Hand Dust Cap
14	Y-000 91310	Steel Ball (1/4") 18 pcs.
* 15	Y-3BL 03000	Body Fixing Bolt
16	Y-30J 06400	Hub Axle (M10 x 180 mm)
17	Y-220 08510	Right Hand Cone (M10 x 9 mm)
18	Y-3AP 98030	Right Hand Axle Spacer Unit
19	Y-377 10000	Seal Ring
20	Y-301 07100	Right Hand Washer (1.5 mm)
21	Y-385 01010	Lock Nut (4.5 mm)
22	Y-041 20400	Roller Brake Grease (Net. 100g)
* 23	Y-041 40020	Roller Brake Grease (Net. 10g)

Aug.-2009-1606C  
© Shimano Inc.

Specifications are subject to change without notice.

**SHIMANO**