

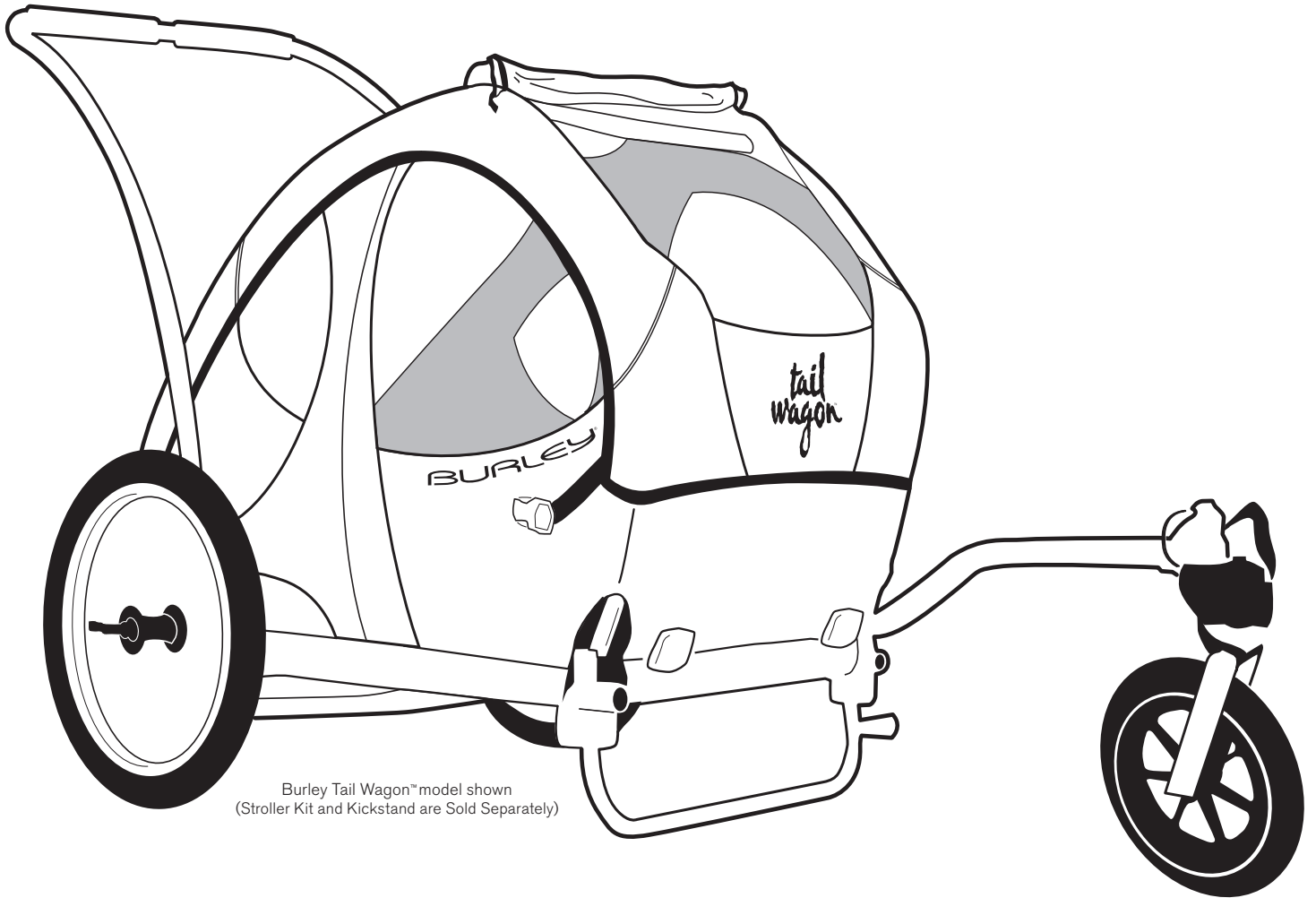


BURLEY®

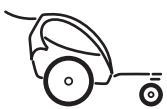
Owner's Instruction and
Safety Manual

pet trailer

Burley Tail Wagon™



Burley Tail Wagon™ model shown
(Stroller Kit and Kickstand are Sold Separately)



Stroll



Bike



BURLEY®

Owner's Instruction and Safety Manual

Burley Tail Wagon™

Contents

- 3** Introduction
- 3** Safety Guidelines
- 3** Parts Bag Contents
- 3** Tools Required
- 4** Installing Wheel Guard Tube
- 4** Opening Your Trailer
- 5** Attaching Wheels
- 5** Attaching Handle
- 5** Installing Tow Bar
- 6** Attaching Cover
- 6** Attaching Tailgate
- 7** Removing Floor
- 8** Installing Safety Flag
- 8** Using Parking Brake
- 9** Hitching Trailer to Your Bicycle
- 10** Safety Checklists
- 10** Maintenance and Storage
- 10** Replacement Parts List
- 11** Replacement Parts Diagram
- 12** Warranty

Congratulations!

Your Burley® trailer is the leading choice of refined bicycle trailer owners worldwide. Every effort has been made to ensure your purchase is a top-quality, thoroughly-tested design, ready to provide many years and miles of happy, safe trailering.

Please go to www.burley.com or contact us at burley@burley.com to register your warranty information.

IMPORTANT

IT IS VERY IMPORTANT FOR YOU TO FAMILIARIZE YOURSELF WITH YOUR BURLEY BY READING THIS ENTIRE MANUAL BEFORE USE. IF YOU HAVE ANY QUESTIONS, PLEASE CONTACT YOUR AUTHORIZED BURLEY DEALER OR VISIT WWW.BURLEY.COM.

Introduction

Once you've done the initial assembly and read the safety guidelines, you're ready to go! Before trailering, be sure you have the tow bar, trailer wheels and hitch securely attached.

NOTE: Any reference to left or right is made in direction of travel, as if you were standing behind the trailer, looking forward.

Safety Guidelines

WARNING

BICYCLING WITH A TRAILER, AND BICYCLING IN GENERAL, CAN BE HAZARDOUS. FAILURE TO OBSERVE ANY OF THE SAFETY GUIDELINES IN THIS MANUAL COULD RESULT IN AN ACCIDENT AND SERIOUS INJURY OR DEATH.

1. Inspect and maintain your bicycle and trailer regularly. See "Safety Checklists" on page 10.
2. This trailer is designed for one pet weighing up to 75 lbs (34 kg). Never carry a larger pet, as the extra weight and higher center of gravity may cause the trailer to tip over.
3. Because of the trailer's additional weight, a bicycle pulling a trailer is heavier and less responsive. Avoid sudden swerving, rocks and curbs.
4. Experiment with your pet in the trailer by taking short trips in an uncongested area until you both are accustomed to the trailer. Train your animal companion to sit or lie when the trailer is in motion. Never tow an excitable pet, as they may lunge or jump, causing the trailer to tip over.
5. To protect your pet from jumping from the moving trailer, always use your cover and never leave your pet unattended.
6. Observe recommended speeds: a maximum of 15mph (24km/h) on smooth, straight roads, and 5 mph (8km/h) or less when turning or on uneven roads.
7. Never use your pet trailer for transporting people.
8. Never pull your trailer with a motorized vehicle.

9. Only use factory-supplies wheels, with the tires inflated to the pressure recommended on tire sidewall. Check the tires before each use. Do not use higher-pressure or knobby tires.
10. Clamp the hitch securely to the bicycle frame, and check for a tight attachment before each ride.
11. Do not make alterations to the trailer. Contact your Authorized Burley Dealer or go to www.burley.com for replacement of any damaged, worn-out or missing parts.
12. Do not use your trailer on icy roads or when inclement weather makes cycling hazardous.
13. The use of a mirror on your bicycle is recommended.

Parts Bag Contents:

- (1) Burley Owner's Instruction and Safety Manual
- (1) Hitch
- (1) Wheel guard tube with:
 - (2) screws, (1) 5mm hex key wrench

Other Tools Required: Phillips screwdriver
25mm (1") wrench

Installing Wheel Guards

1. Insert wheel guard bolts through frame tube. Match holes in wheel guards to bolts. Tighten securely with hex key. **FIGURE 1**
2. Repeat for wheel guard on other side of trailer.

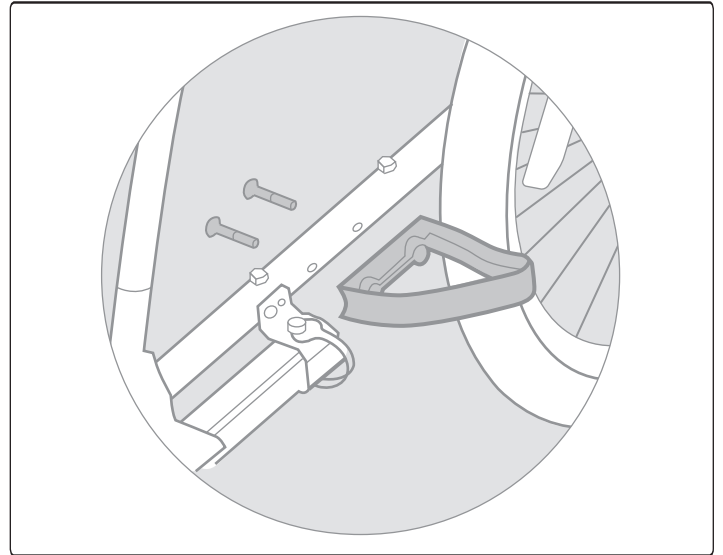


FIGURE 1

Opening Your Trailer

1. Rotate front tube upward and rear tube back until they meet on plastic saddles. **FIGURE 2**
2. Rotate frame locks and snap onto rear tube. **FIGURE 3**

 To view a video clip of "Folding a Burley" go to: www.burley.com/support/tutorials.cfm.

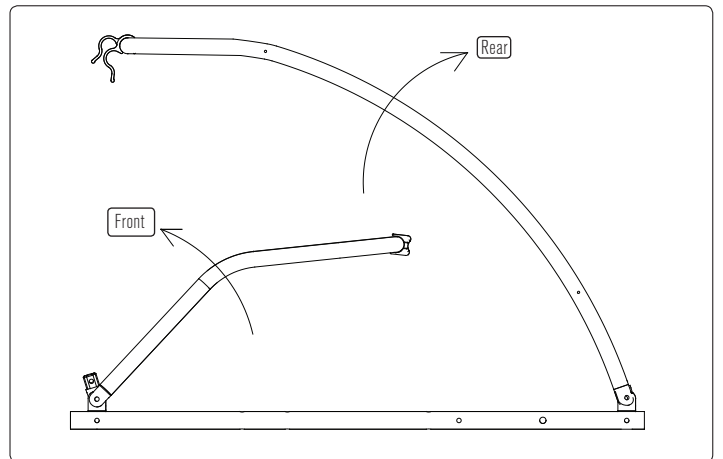


FIGURE 2

WARNING

CHECK THAT THE FRAME LOCKS ARE PROPERLY ENGAGED BEFORE USING THE TRAILER. FAILURE TO DO SO CAN RESULT IN SERIOUS INJURY.

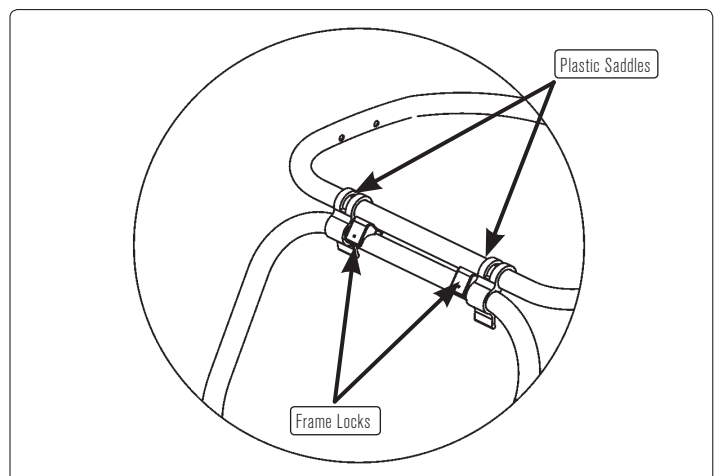


FIGURE 3

Attaching Wheels

1. Insert wheel axle assembly completely into trailer axle. **FIGURE 4**
2. Close quick release lever, with lever aimed at trailer rear. A properly adjusted quick release lever should leave an imprint on your palm when the lever is rotated to the closed position. **FIGURE 5**
3. Verify that tires are inflated to pressure marked on tire side wall.
4. To remove wheel from trailer axle, open quick release lever.

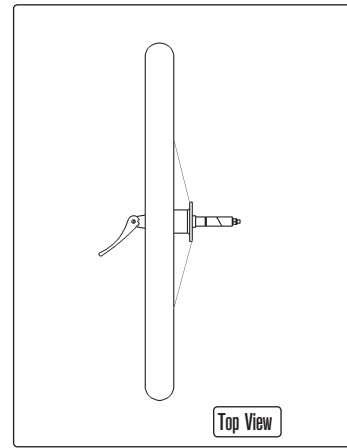


FIGURE 4: Quick release lever in unlocked "open" position

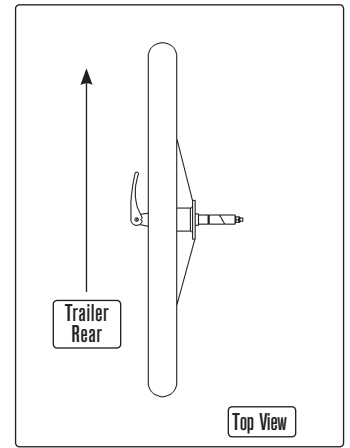


FIGURE 5: Quick release lever in locked "closed" position

WARNING

MAKE SURE WHEELS ARE HELD SECURELY, WITH WHEEL AXLE ASSEMBLY FULLY INSERTED INTO TRAILER AXLE. YOU SHOULD NOT BE ABLE TO ROCK OR SHIFT WHEELS. IMPROPERLY INSTALLED WHEELS CAN FALL OFF, CAUSING AN ACCIDENT OR SERIOUS INJURY.

Attaching Handle

1. On handle ends, push button detents in and slide handle into handle receivers by wheel axles, with handle extending out over trailer rear (narrow end). **PHOTO 1**
2. To remove handle, push buttons on front of handle receivers and pull up on handle.

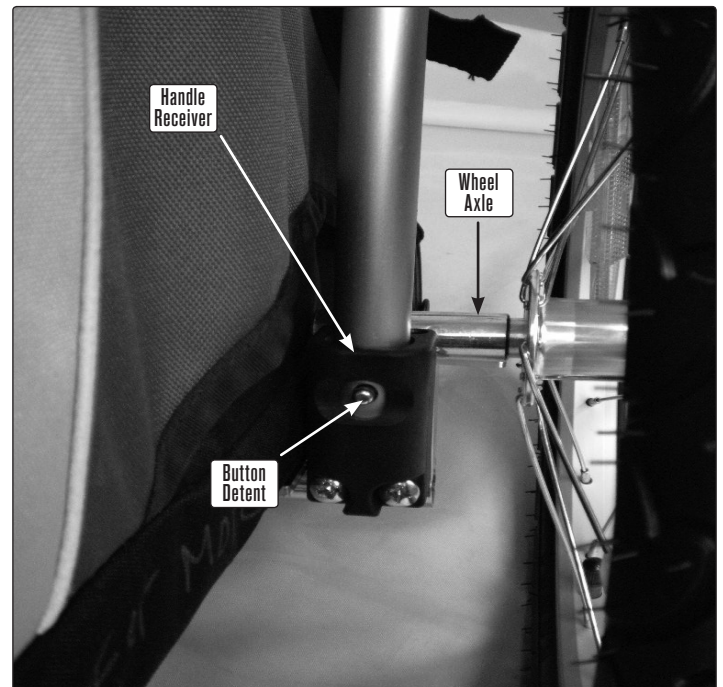


PHOTO 1

Installing Tow Bar

1. Slide tow bar through both tow bar mounts on left side.
2. Match rear tow bar hole with rear mount hole.
3. Insert the retaining pin through both holes, and lock retaining hoop securely. **PHOTO 2**

WARNING

NEVER OPERATE TRAILER WITHOUT RETAINING PIN LOCKED IN PLACE. AN UNLOCKED TOW BAR CAN LOOSEN OR DETACH, CAUSING ACCIDENT RESULTING IN SERIOUS INJURY.

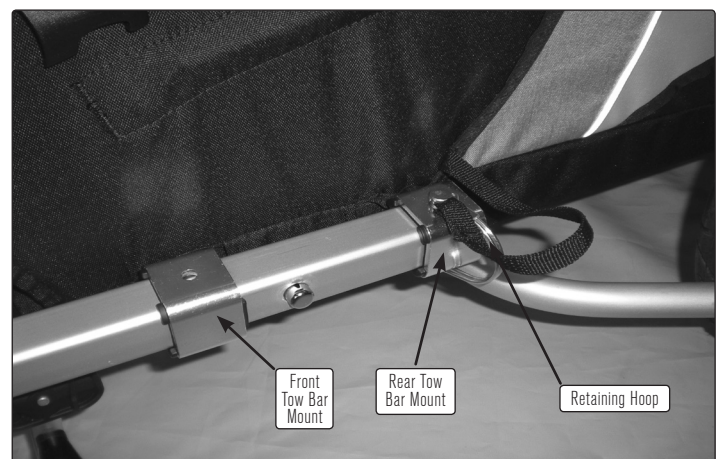


PHOTO 2

Attaching Cover

1. On trailer front, join buckle sections on cover corners to buckle sections below side windows. **PHOTO 3**
2. On trailer rear, hook O-rings on cover rear over side knobs. **PHOTO 4**
3. At top of frame, fasten cover snaps to frame.

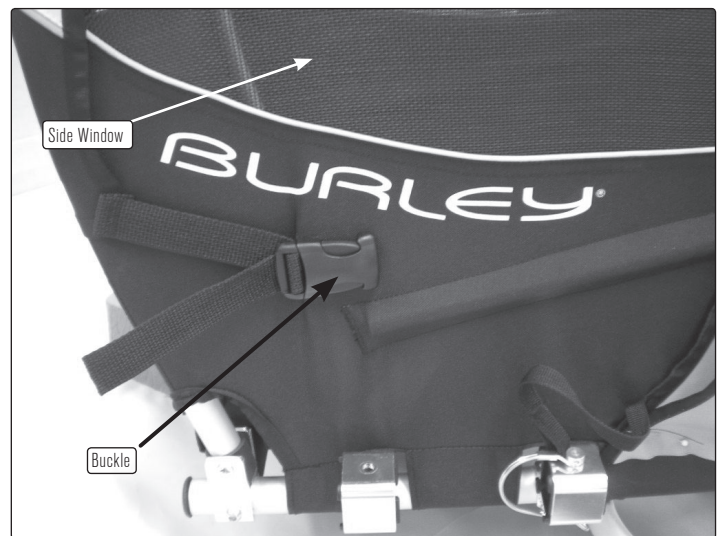


PHOTO 3: Trailer front side

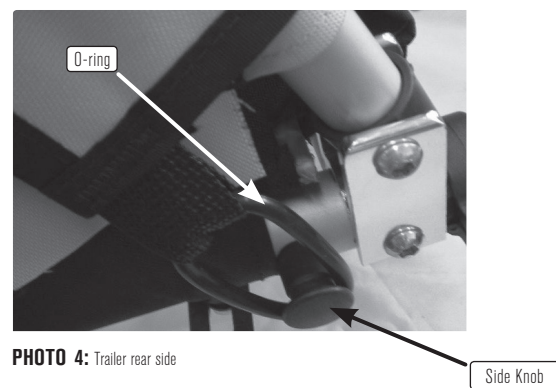


PHOTO 4: Trailer rear side

Attaching Tailgate

NOTE: If your pet is prone to making unplanned exits, **OPTION 1** is the more secure attachment.

OPTION 1: Tailgate fastened over cover

Join buckle sections on tailgate to buckle sections below trailer windows. **PHOTO 5**

OPTION 2: Tailgate fastened under cover

Unhook O-rings and pull cover front out of the way. Join buckle sections as in Option 1, and hook cover O-rings to side knobs. **PHOTO 6**



PHOTO 5: Tailgate fastened over cover

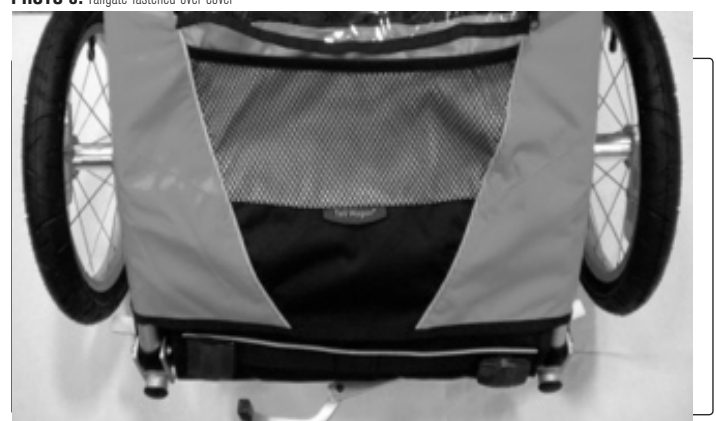


PHOTO 6: Tailgate fastened under cover

Removing Floor

1. To remove for cleaning, lift floor at inside front and pull out of trailer. **PHOTO 7**
2. Remove fabric covering from floor base.
3. To install floor, insert rear of floor under nuts in trailer rear and under D-rings on trailer sides. In front corners, snap floor under front nuts. **PHOTO 8**

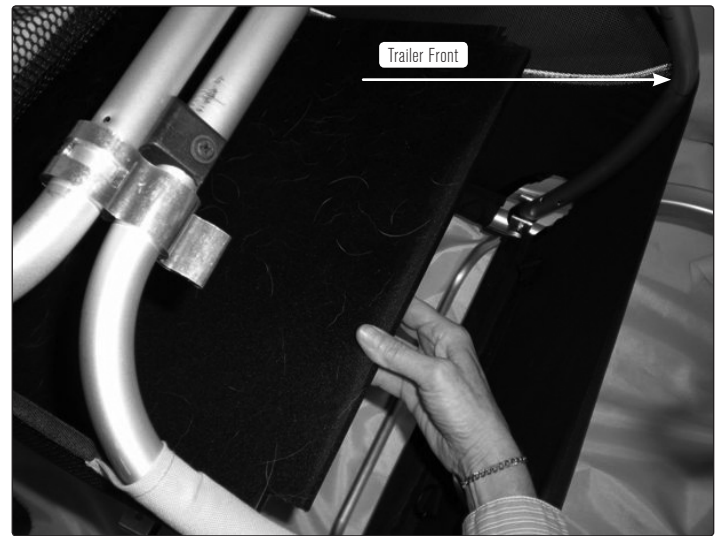


PHOTO 7

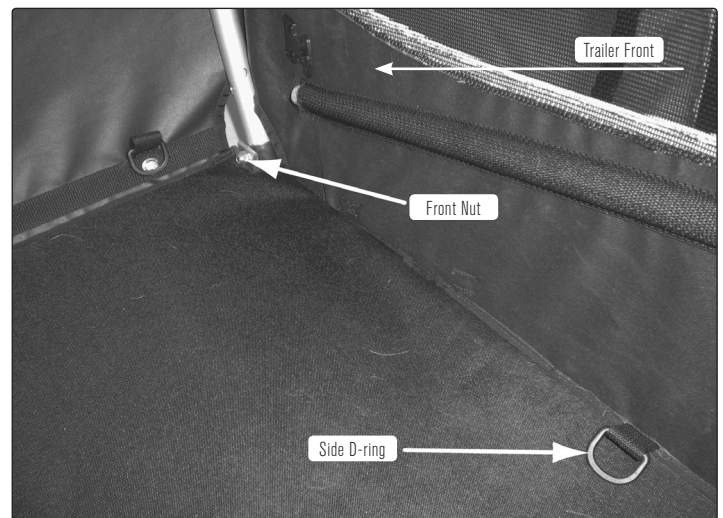


PHOTO 8

Installing Safety Flag

Join pole sections together. On trailer's left side, insert flag pole into hole in handle receiver by wheel axle.

IMPORTANT

DO NOT USE TRAILER WITHOUT SAFETY FLAG.

Using Parking Brake

Engage parking brake by pushing handle to the right. Exercise caution when disengaging brake, as it may spring to the left. **PHOTO 9**

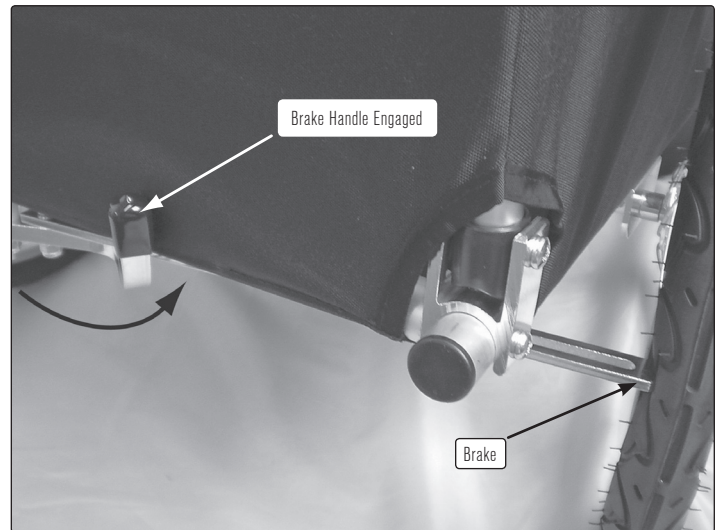


PHOTO 9

Hitching Trailer to Your Bicycle

NOTE: The Burley Forged Standard Hitch is used for bicycles with either nutted axles **FIGURE 6** or quick release assemblies **FIGURES 7 & 8**

1. Remove axle nut or rear quick release lever assembly from bike.
2. Match hole on flat side of hitch upper arm to left (non-chain ring side) rear dropout hole, and place hitch flat against the dropout.
3. Loosely reassemble axle nut or quick release assembly through hitch, dropout and wheel. Racks, bags, or fittings should not interfere with hitch.
4. Slide flex connector between hitch side arms, and match holes.
5. Open retaining pin and insert through hitch and flex connector holes from above. Close retaining pin.
6. Tighten axle nut or tighten and close quick release lever, with lever pointing to rear of bike. A properly adjusted quick release lever should leave an imprint on your palm when the lever is rotated to the closed position. Verify that hitch is secure and cannot be rotated by hand.
7. Wrap safety strap twice around inside of chain stay. Fasten hook to D-ring on underside of tow bar end. **FIGURE 8**
8. To remove trailer from bicycle, unfasten clip from D-ring and remove retaining pin.

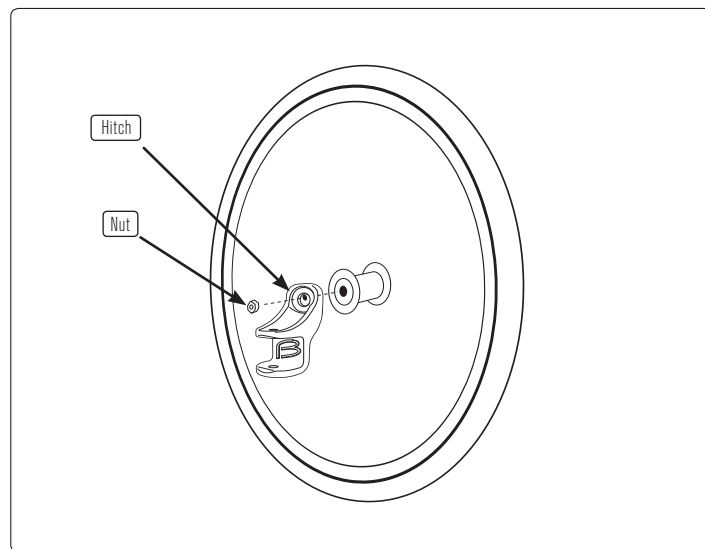


FIGURE 6: Nutted axle assembly

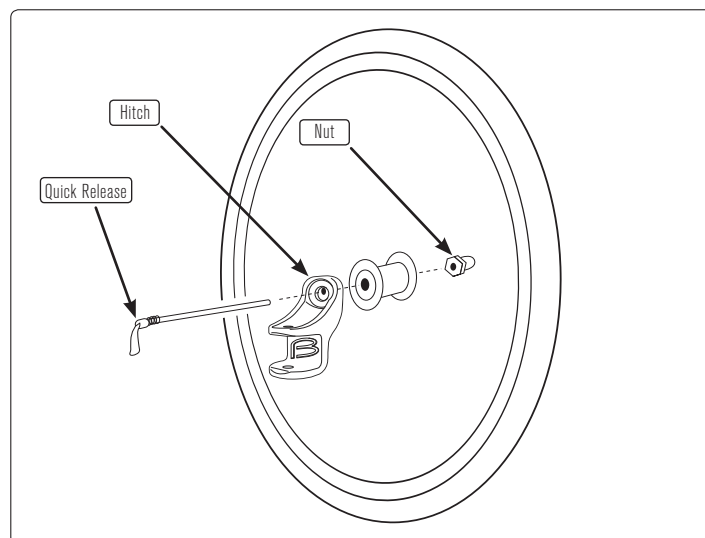


FIGURE 7: Quick release assembly

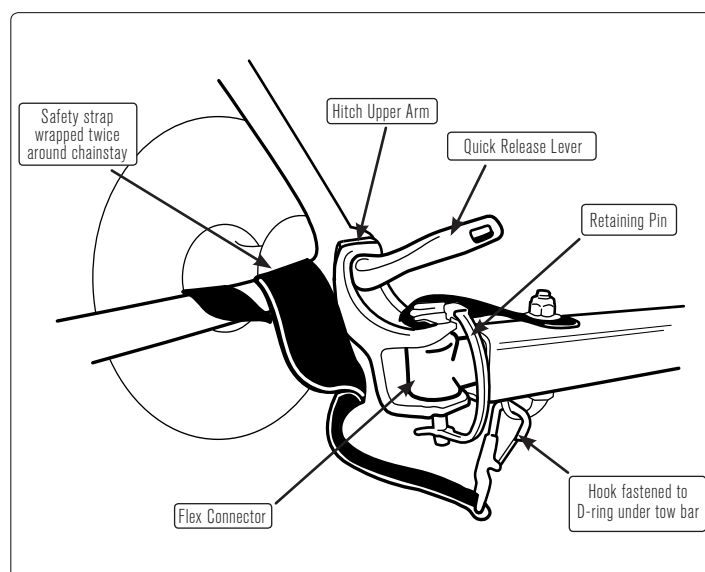


FIGURE 8: Quick release assembly shown

WARNING

QUICK RELEASE LEVER MUST BE IN CLOSED POSITION AND HITCH SAFETY STRAP PROPERLY INSTALLED. NUTTED AXLES MUST BE TIGHTENED SECURELY. HITCH MUST NOT INTERFERE WITH RACKS, BAGS OR FITTINGS. INSPECT HITCH AND TOW BAR FREQUENTLY FOR DAMAGE OR LOOSE FASTENERS. DAMAGED OR IMPROPERLY INSTALLED HITCHES OR INTERFERING PARTS CAN CAUSE ACCIDENTS RESULTING IN SERIOUS INJURY.

Safety Checklists

Check Before Each Ride:

- ✓ Wheels tightly and securely attached
- ✓ Tires inflated to recommended pressure on tire side wall
- ✓ Hitch properly secured with safety strap in place
- ✓ Tow bar locked securely in place
- ✓ Bicycle safety check, especially brakes and tires
- ✓ Helmet for cyclist
- ✓ Safety flag in place
- ✓ Ensure that pet is calm
- ✓ Maximum load 75 lbs (34 kg by law in Europe)

Monthly Checklist:

- ✓ Inspect tow bar, hitch, frame tubing, flex connector and hardware for damage
- ✓ Inspect tires for wear and cracks
- ✓ Inspect wheels for trueness and cracks
- ✓ Inspect wheel bearings for wear
- ✓ Inspect fabric parts for rips, abrasion, or missing or damaged hardware
- ✓ Contact your Authorized Burley Dealer for replacement of any damaged or worn-out parts

Maintenance and Storage

Hitch and Tow Bar Maintenance

Store trailer indoors if possible. Do not use or store trailer at temperatures below 32°F (0°C), as hitch flex connector can become brittle and possibly break, causing an accident resulting in serious injury.

Fabric Care

Hand wash fabric parts with mild soap or detergent and warm water. For heavy soiling, use a nylon bristle brush. Do not use bleach. Line-dry floor covering and trailer cover. Polyester fabric will eventually fade, especially when exposed to direct sunlight. Wipe dry (to help avoid mildew) and store out of direct sunlight in a dry, well ventilated area, or use a Burley Trailer Storage Cover to protect your trailer. Clean windows with a damp, soft cloth. Replace any damaged parts.

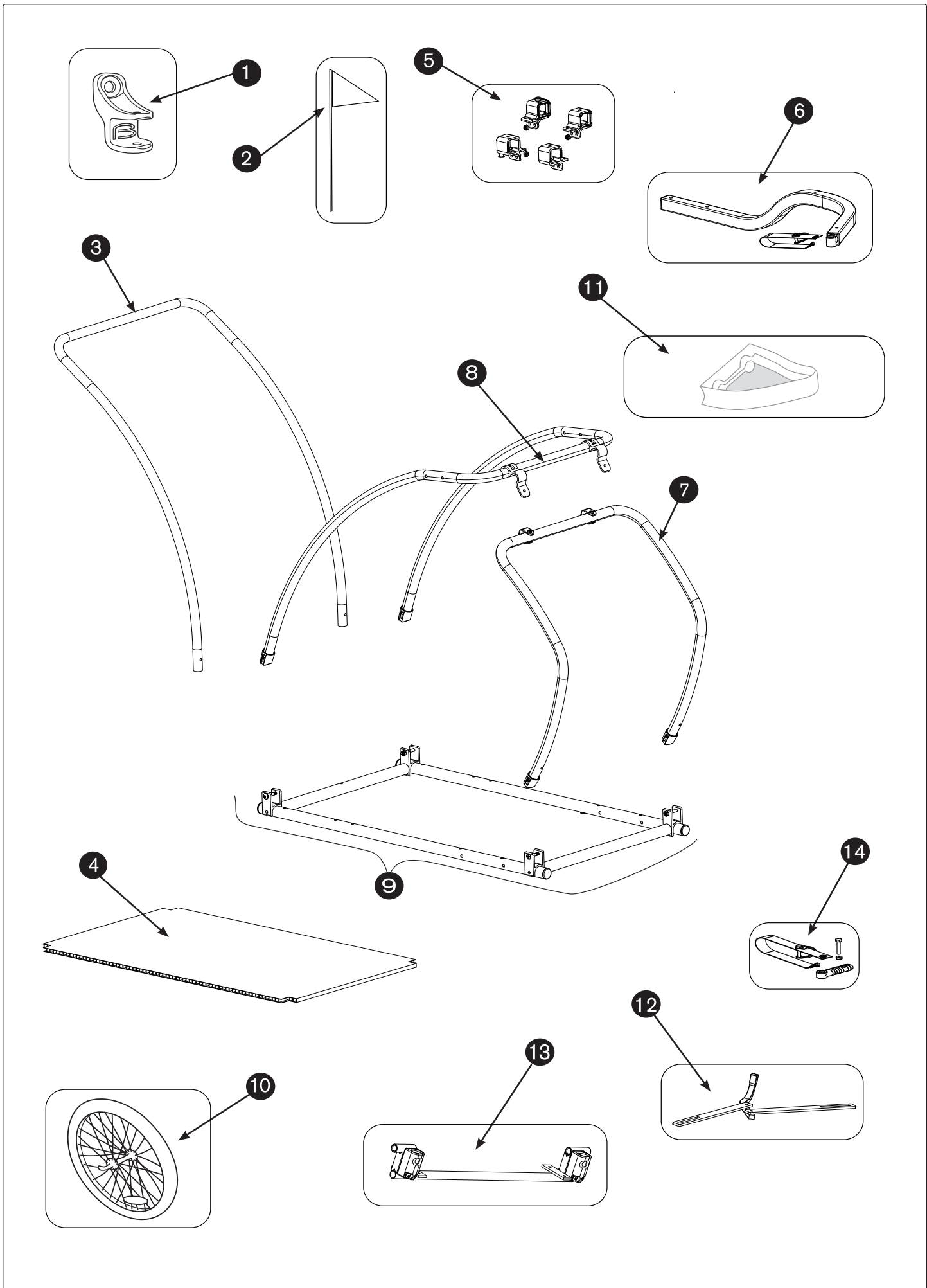
Tail Wagon Replacement Parts and Diagram

Diagram #	Tail Wagon Part #	Description
1	960041	Forged Standard Hitch
2	960009	Safety Flag
3	250144	Handle Bar Assembly
	250294	Side Panel/Front (NOT SHOWN)
	250293	Cover (NOT SHOWN)
	250139	Tailgate (NOT SHOWN)
4	950017	Floor and Covering
5	950019	Tow Bar Receiver Kit (front tow bar receiver, rear tow bar receiver, tow bar glides, bolts, nuts)
6	250122	Tow Bar Assembly (tow bar, safety strap, flex connector)
7	250117	Frame Assembly, Front (tube, frame locks, hinges)
8	250115	Frame Assembly, Rear
9	950018	Lower Frame Kit (main frame L & R, front and rear cross frame)
10	160015	Wheel (quick release, reflectors, axle, tire) (SOLD INDIVIDUALLY)
11	250160	Wheel Guard Kit
12	250132	Brake Assembly
13	950020	Axle Receiver Kit w/ Handle Receiver
14	950038	Flex Connector for Square Tow Bar w/ Safety Strap

Recommended Accessories

- Stroller Kit
- Kickstand
- Storage Cover
- Additional Hitches

Please go to www.burley.com for updated product parts list, diagrams and available accessories



Burley Limited Warranty:

This Burley trailer is warranted from the date of purchase against defects in materials and workmanship as follows: fabric parts for one year, frame and plastic parts for three years. Your original dated sales or delivery receipt showing the date of purchase is your proof of purchase.

If a defect in materials or workmanship is discovered during the Limited Warranty period, we will, at our sole option, repair or replace your product at no cost to you. This warranty is only valid in the country in which the product was purchased.

The Limited Warranty extends only to the original retail purchaser of this product and is not transferable to anyone who obtains ownership of the product from the original purchaser.

The Limited Warranty does not cover claims resulting from misuse, failure to follow the instructions, installation, improper maintenance and use, abuse alteration, involvement in an accident, and normal wear and tear. The Limited Warranty does not cover products which are used in rental operations and Burley will not be liable for any incidental or commercial damages relating to such use.

TO THE GREATEST EXTENT PERMITTED BY LAW, THIS LIMITED WARRANTY IS EXCLUSIVE AND IN LIEU OF ANY OTHER WARRANTY, WRITTEN OR ORAL, INCLUDING BUT NOT LIMITED TO ANY EXPRESS OR IMPLIED WARRANTY OF MERCHANTABILITY OR FITNESS FOR A PARTICULAR PURPOSE.

The duration of any implied warranties, including any implied warranty of merchantability or fitness for a particular purpose that may exist during the express warranty period is expressly limited to the limited warranty period.

Some states and countries do not allow limitations on how long an implied limited warranty lasts; therefore, the above limitation and exclusions may not apply to you.

THE CUSTOMER'S EXCLUSIVE REMEDY FOR BREACH OF THIS LIMITED WARRANTY OR OF ANY IMPLIED WARRANTY OR OF ANY OTHER OBLIGATION ARISING BY OPERATION OF LAW OR OTHERWISE SHALL BE LIMITED AS SPECIFIED HEREIN TO REPAIR OR REPLACEMENT, AT OUR SOLE OPTION. IN ANY EVENT, RESPONSIBILITY FOR SPECIAL, INCIDENTAL AND CONSEQUENTIAL DAMAGES IS EXPRESSLY EXCLUDED.

Some states do not allow the exclusion of limitation of incidental or consequential damages, so the above limitation of exclusion may not apply to you.

This Limited Warranty gives you specific legal rights, and you may have other rights that vary from state to state or country.

For warranty service or replacement part information for the USA or Canada, please contact Burley directly by calling 800-423-8445 or emailing burley@burley.com. For warranty service or replacement part information outside of the USA and Canada please contact the place of purchase for warranty service. Please be prepared to provide the product model, serial number and a description of the warranty issue.

Some replacement parts may be available for purchase after this limited warranty expires. Please visit us at www.burley.com or call us at 541-687-1644 for more information.



BURLEY DESIGN

Eugene, OR USA
PH 541.687.1644 800.423.8445 FAX 541.687.0436
burley@burley.com • burley.com

©2008 Burley Design LLC
"Burley" is a registered trademark of Burley Design LLC
170136 Manual Tail Wagon Trailer Rev 4