

| Parts List | | |
|------------|----------|--|
| ITEM | ITEM # | DESCRIPTION |
| 1 | 30100903 | Body - CGR2 Sil-Red/Red-Sil/Grey 03-04 |
| 2 | 30100904 | Body - CGR2 Yellow/Navy/Silver 03-04 |
| 3 | 31100901 | Cover - CGR2 Silv/Red/Blk 02-04. |
| 4 | 31100902 | Cover - CGR2 Yel/Silv/Blk 02-04 |
| 5 | 31100903 | Cover - CGR2 pl/mesh red/silv/blk 05 |
| 6 | 31100904 | Cover - Velcro - CGR2 Red 06-07 |
| 7 | 31100905 | Cover - CGR2 Pl/mesh Gold/Silver/blk 05 |
| 8 | 31100906 | Cover - Velcro - CGR2 Gold 06-07 |
| 9 | 31100907 | Cover - Velcro - CGR2 Red 2008 |
| 10 | 31100908 | Cover - Velcro - CGR2 Gold 2008 |
| 11 | 31100909 | Cover - Velcro - CGR2 Avocado 2008 |
| 12 | 31300902 | Cover - Zwei CGR2 Zip Pl/Mesh Red/Silver/Blk 05-06 |
| 13 | 31300903 | Cover - Velcro - Zwei CGR2 Red 2007 |
| 14 | 31300904 | Cover - Velcro - Zwei CGR2 Red 08-09 |
| 15 | 33100903 | Cargo Bag - CGR2 Red/Grey 03-05 |
| 16 | 33100904 | Cargo Bag - CGR2 Yellow/Navy 03-04 |
| 17 | 33100905 | Cargo Bag - CGR2 Gold/Dk Grey 05 |
| 18 | 40103056 | CAS Hardware CGR/CX/COR/CAP 02-08/05-11/05-11/ 07-11 |
| 19 | 40105005 | LH Autolock Assy - (Except CGR2 12-X) - All carriers (03-X) (SP) |
| 20 | 40105010 | RH Autolock Assy - (Except CGR2 12-X) - All carriers (03-X) (SP) |
| 21 | 40191338 | Handlebar Assy - CGR2/CHE2 |
| 22 | 40191700 | Push Button Clevis Axle w/Lock nut & ring - 50mm - CGR/CHE/COR/CAP 03-11/03-11/08-X/06-X |
| 23 | 40191741 | Axle w/ Parking Brake Assy (SP) CHE2/CGR2/CX2 02-11/02-11/2005 |
| 24 | 40192402 | Wheel Assembly - 50mm Hub - CGR/CHE 03-11/09-11 - Kenda Tire |
| 25 | 40200115 | Padded Shoulder Harness wt label CHE/CGR/CX/CAB/COR/CAP 07-X/03-X/05-09/05-X/03-X/03/X |
| 26 | 50191416 | CAP - Wheel Rubber Cap - CGR/CHE/CAB/COR2/CAP 03-11 |

| | | | |
|-------------------------|------------|-----------------|---------|
| PART NUMBER 10300904 | | SHEET 1 OF 2 | |
| REV | ECO NUMBER | DATE | INITIAL |
| A | 2013-12 | 02/01/13 | KM |
| B | 2013-30 | 05/30/13 | SD |



DWG for rev & spare parts control only.

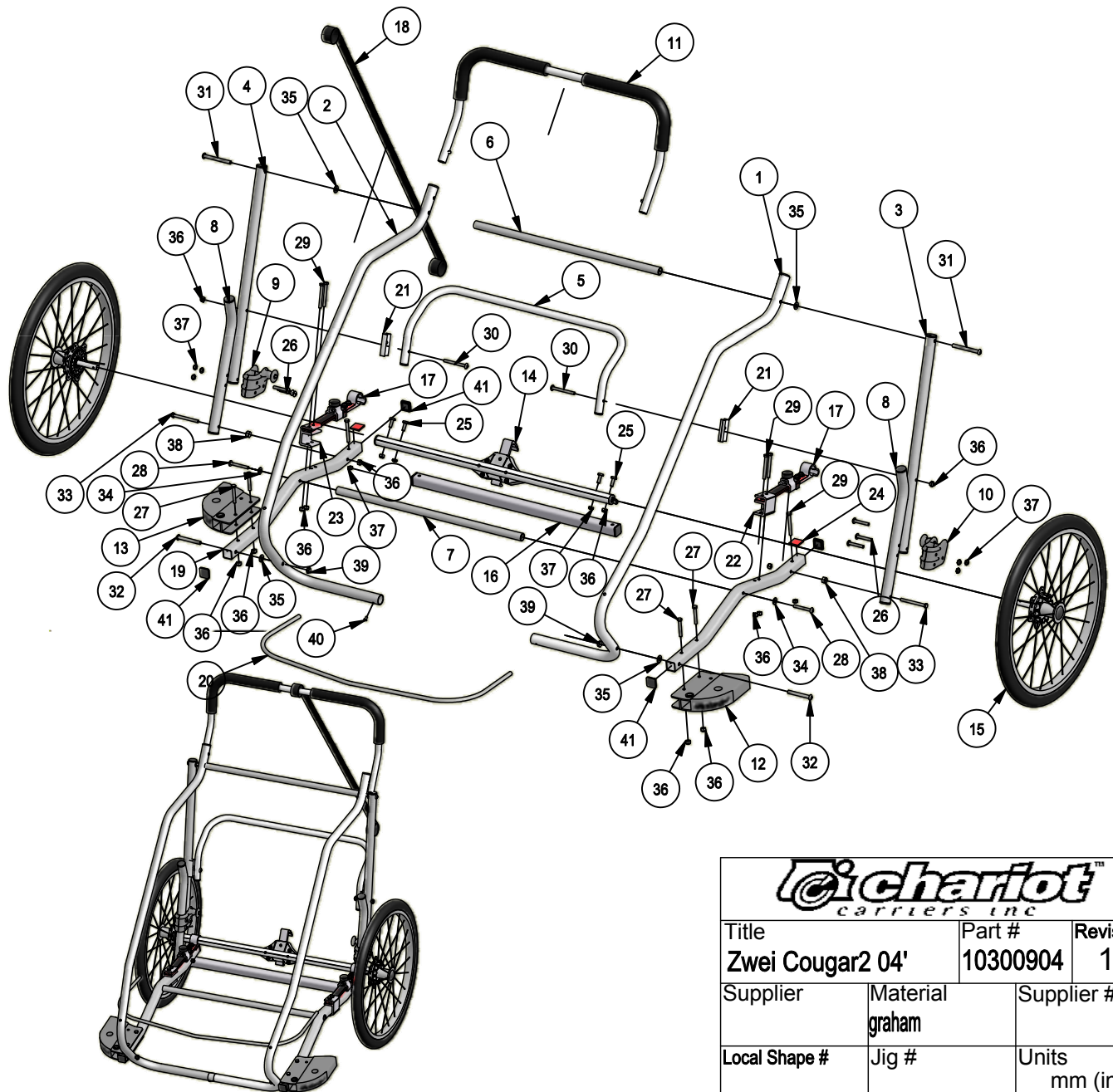
NOTE:
Carrier may not have been sold with Kits as shown.

| | | | | |
|---|------------------|--|--|-------------------------|
| THIS PRINT IS THE CONFIDENTIAL AND PROPRIETARY PROPERTY OF THULE CHILD TRANSPORT SYSTEMS LTD. THE REPRODUCTION OF THIS PRINT, MANUFACTURE OF THE ITEM DESCRIBED HEREON, OR THE DISCLOSURE OF THE SAME IS FORBIDDEN WITHOUT THE EXPRESSED WRITTEN CONSENT OF THE OWNER | MATERIAL N/A | UNLESS OTHERWISE SPECIFIED ALL DIMENSIONS ARE IN MILLIMETERS PERPENDICULAR SURFACES TO BE SQUARE WITHIN .03 TOTAL RUNOUT WITHIN .08 ON COMMON DIAMETERS ALL DRILLED HOLES TO BE MAX 0.2 mm OVERSIZED REMOVE SHARP EDGES .15 MAX FILLETS R.15 MAX ANGLES ± 0°30' ALL MACHINED SURFACES 64 MICRO INCHES TOLERANCE: DECIMAL X = ± 1 mm .X = ± .5 mm .XX = ± .2 mm | DRAWN KMENDES | |
| | CONDITION N/A | | DATE 01/02/2013 | |
| | FINISH N/A | | DESCRIPTION Zwei CGR2 Sil-Red/Red-Sil/Grey 2004 | PART NUMBER 10300904 |

2

1

| Parts List | | | |
|------------|----|----------|---|
| ITE | QT | ITEM # | DESCRIPTION |
| 1 | 1 | 40100133 | Upper Frame LH |
| 2 | 1 | 40100134 | Upper Freame RH |
| 3 | 1 | 40100425 | Back Frame Assy LH |
| 4 | 1 | 40100426 | Back Frame Assy RH |
| 5 | 1 | 40100459 | Fold Bar CHE2/CGR2 |
| 6 | 1 | 40100624 | Seat Frame |
| 7 | 1 | 40100625 | Seat Frame Lower Assy |
| 8 | 2 | 40100722 | Back Tube Assy |
| 9 | 1 | 40101281 | Autolock Back Bracket |
| 10 | 1 | 40101282 | Autolock Back Bracket |
| 11 | 1 | 40101329 | Handlebar CHE2/CGR2 |
| 12 | 1 | 40101514 | Left Wing-Small-(Chariot)-(Grey)-With Hole |
| 13 | 1 | 40101515 | Right Wing-Small-(Chariot)-(Grey)-With Hole |
| 14 | 1 | 40101736 | Axle Assy CGR2 |
| 15 | 2 | 40102402 | Wheel Assembly CGR 1/2 |
| 16 | 1 | 40103040 | Suspension Cross Brace |
| 17 | 2 | 40103044 | Suspension Plate |
| 18 | 1 | 40202011 | Strap - Wrist Strap |
| 19 | 2 | 41100224 | Lower Frame CGR/CGR2 |
| 20 | 1 | 41100844 | Support Hoop CGR2 |
| 21 | 2 | 41101258 | Bracket Folding Bar |
| 22 | 1 | 41101292 | Bracket Frame Support LH |
| 23 | 1 | 41101295 | Bracket Frame Support RH |
| 24 | 2 | 41103029 | Durashield Strip |
| 25 | 4 | 50100503 | Bolt 1/4-20x3/4" RD |
| 26 | 6 | 50100510 | Bolt 1/4-20x1 5/8" TR |
| 27 | 4 | 50100514 | Bolt 1/4-20x1 3/4" HX |
| 28 | 2 | 50100518 | Bolt 1/4-20x2" TR |
| 29 | 6 | 50100523 | Bolt 1/4-20x2 1/4" HX |
| 30 | 2 | 50100524 | Bolt 1/4-20x2 1/2" TR |
| 31 | 2 | 50100543 | Bolt 5/16-18x3" TR |
| 32 | 2 | 50100550 | Bolt 5/16-18x2 1/2" TR |
| 33 | 2 | 50100556 | Bolt 1/4-20x2 3/4" HX |
| 34 | 2 | 50100614 | Washer 1/4" SAE |
| 35 | 4 | 50100616 | Washer 5/16" SAE |
| 36 | 14 | 50100705 | Nut lock 1/4" |
| 37 | 10 | 50100708 | Nut - Jam 1/4" |
| 38 | 2 | 50100710 | Nut Lock 5/16 |
| 39 | 2 | 50100713 | Nut Jam 5/16 |
| 40 | 1 | 50100802 | Rivet - 3/16" |
| 41 | 4 | 50101407 | Cut - End Cap - 1" SQ 0.058 |



chariot
carriers inc

| Title | Part # | Revision |
|--------------------|--------------------|------------------|
| Zwei Cougar2 04' | 10300904 | 1 |
| Supplier | Material graham | Supplier # |
| Local Shape # | Jig # | Units mm (in) |
| Drawn By graham | Date 4/28/2004 | Predecessor's # |

2

1